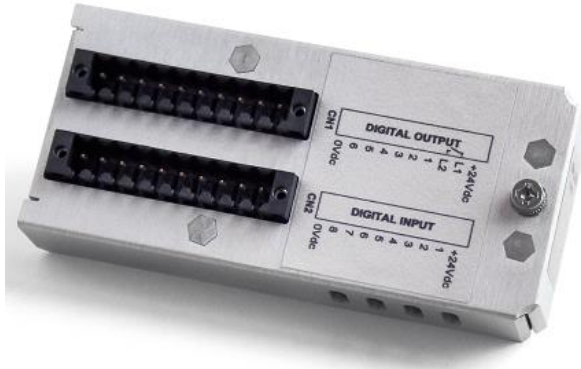


## PLIO06 Compact I/O Module

The PLIO06 is a compact and low-cost I/O module. It has been designed as an optional plug-in for the eTOP Series 500 HMI products. The PLIO06 digital inputs and outputs with optical isolation for typical industrial applications.



- 8 Digital Inputs
- 6 Digital Outputs
- 1 Relay Output

### Highlights

The PLIO06 I/O module has been designed for the eTOP Series 500 HMI products. The operation of PLIO06 requires CoDeSys running in the HMI.

- Plug&Play operation. The I/O module is automatically detected when plugged-in.
- I/O configuration supported by CoDeSys I/O library. Compatible with CoDeSys V2.3 and CoDeSys V3.
- Compact and low-power consumption.
- No additional power supply required in addition to the 24 Vdc I/O power supply.
- Optical isolation.
- Overcurrent and Thermal shutdown for each digital output with integrated diagnostic functions.
- Easy wiring with removable 3.5mm spring connectors.
- Advanced board-level diagnostic.

## Technical Data

### Digital Inputs

Number of channels	8
Type of channel	Source active high (+24Vdc) inputs.
Input voltage range	12 - 30 Vdc
Input impedance	3,3 KOhm
Optical isolation	Yes
Isolation	1500 Vdc
Input filter	Programmable 0.1ms to 20ms

### Digital Outputs

Number of channels	6
Type of channel	Source type with feedback of output driver fault status
Output voltage range	12 - 30Vdc
Nominal output current	0,5A
Optical isolation	Yes
Output protection	Overcurrent and overtemperature protected

### Relay Outputs

Number of channels	1
Type of channel	Two contacts (open/close)
Load	Resistive load
Rated load	1A at 30Vrms
Rated carry current	1A
Max switching voltage	42.4Vac (30Vrms); 60Vdc
Max switching current	1A

### Connectors

Connector Type	Omnimate Range header/plugs 3,5mm – 10 contacts (two pieces terminal blocks Spring type contact Part number: 1691190000 BLZF 3.50/10/180F SN BK BX
Removable Plug Connector	

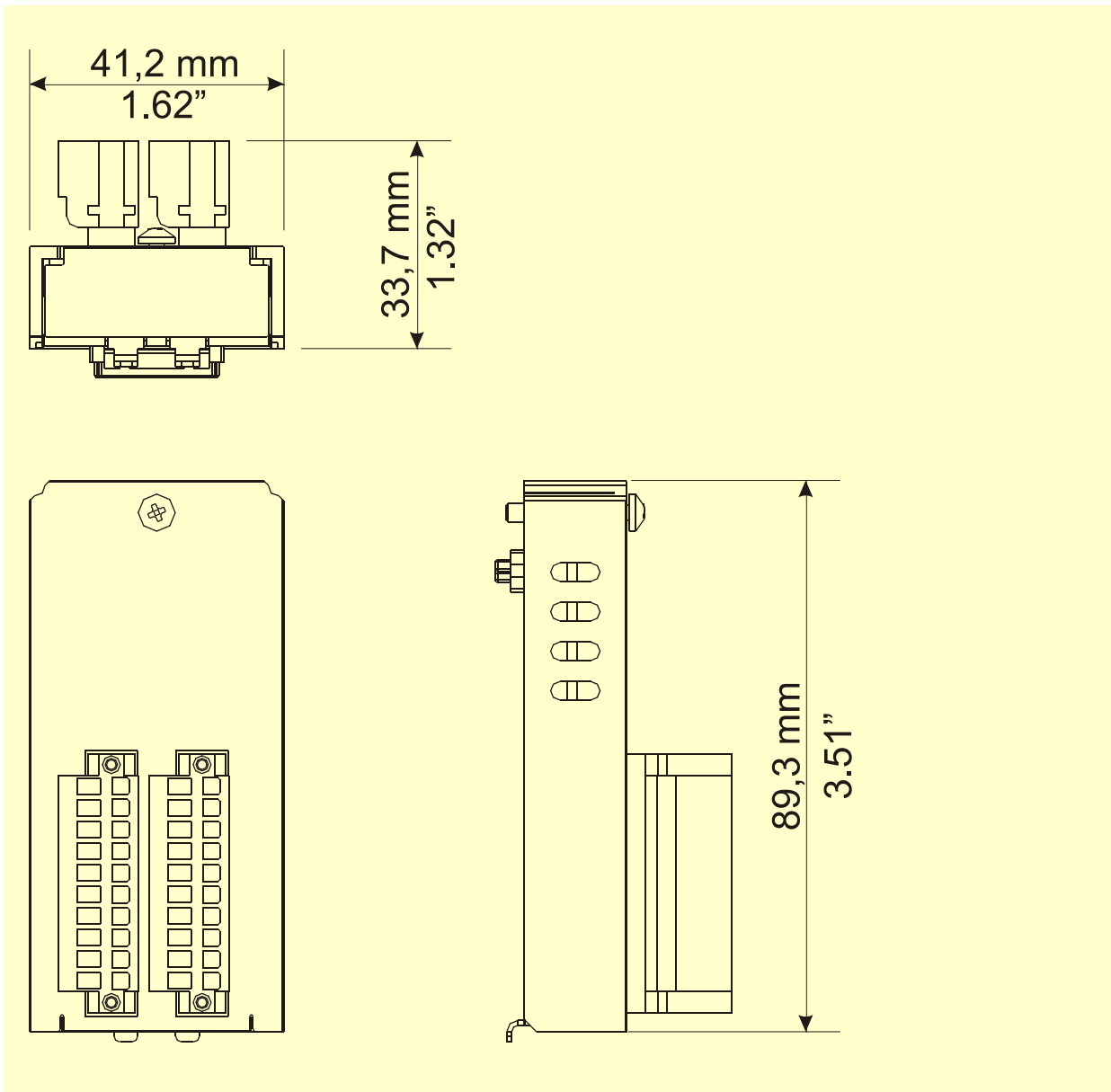
### Environmental Conditions

Operating temperature	0 to 50 °C (vertical installation)
Storage temperature	-20 to +70 °C
Operating and storage humidity	5 – 85 % relative humidity, non-condensing
Protection class	IP20

### Approvals

CE	Emission EN 61000-6-4 Immunity EN 61000-6-2 for installation in industrial environments
DNV	DNV Type Approval Certificate
UL	UL508 Listed

**Dimensions**



**Ordering Information**

<b>Model</b>	<b>Part Number</b>	<b>Description</b>
PLIO06	+PLIO06U0P1	Compact I/O Module. 8 DI, 6 DO, 1 Relay Output

**SCIGATE AUTOMATION (S) PTE LTD**

No.1 Bukit Batok Street 22 #01-01 Singapore 659592

Tel: (65) 6561 0488

Fax: (65) 6562 0588

Email: sales@scigate.com.sg

Web: www.scigate.com.sg

Business Hours: Monday - Friday 8.30am - 6.15pm

**ptn0401****Ver. 1.2****Copyright © 2012 Exor International S.p.A. – Verona, Italy**

Subject to change without notice

The information contained in this document is provided for informational purposes only. While efforts were made to verify the accuracy of the information contained in this documentation, it is provided "as is" without warranty of any kind.

[www.uniop.com](http://www.uniop.com)