

# eTOP605

eTOP Series 600 HMI products combine state-of-the-art features and top performance with an outstanding design. They are the ideal choice for all demanding HMI applications including factory and building automation.

The glass projected capacitive touchscreen and the brilliant 5" widescreen display with resolution of 800x480 guarantee great optical performance and are up to the most demanding user interface requirements

The JMobile software offers full vector graphic and plenty of connectivity options.



- 5" TFT color display, resolution 800x480 pixel, 64K colors
- LED backlight dimmable to 0%
- Projected capacitive touchscreen. True glass design
- 2 Ethernet ports with switch function
- 1 USB Host port
- SD Card slot
- Plug-in modules for system expansion

## Highlights

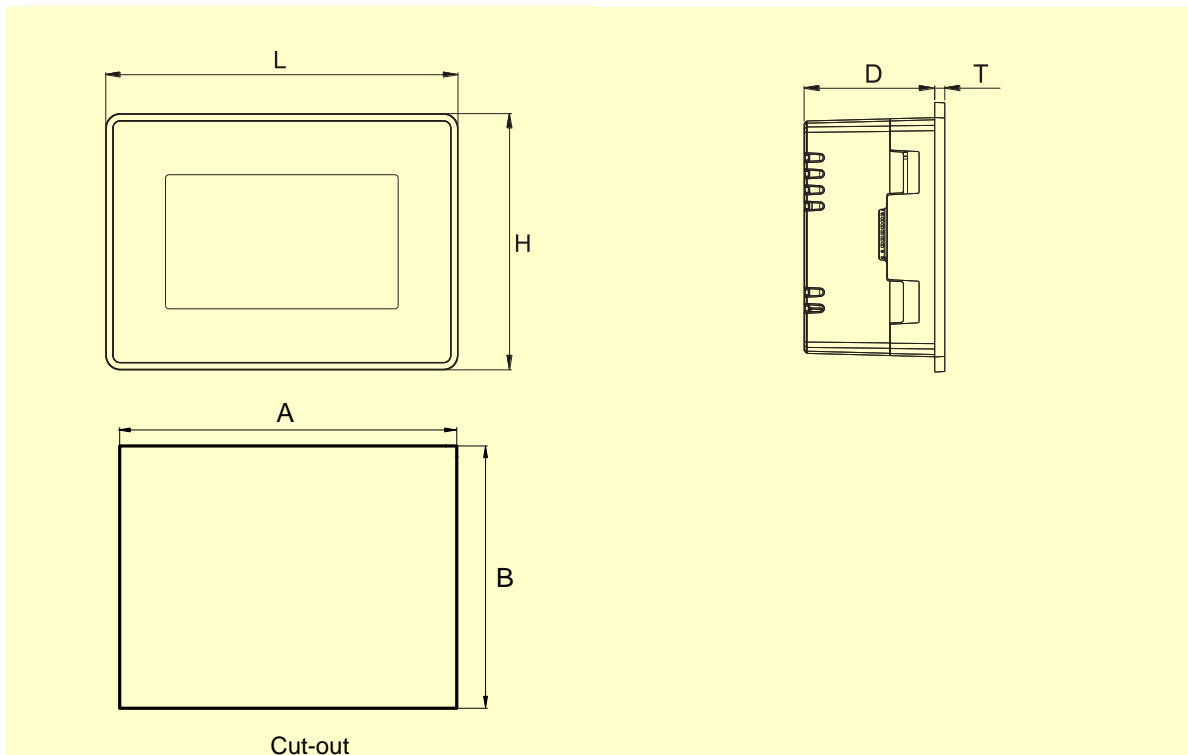
The eTOP Series 600 HMI panels have been designed to run the JMobile software.

- JMobile runtime included.
- Full vector graphic support. Native support of SVG graphic objects. Transparency and alpha blending.
- Full object dynamics: control visibility and transparency, move, resize, rotate objects on screen. Change properties of basic and complex objects.
- TrueType fonts
- Multilanguage applications. Easily create and manage your applications in multiple languages to meet global requirements.
- Rich set of state-of-the-art HMI features: graphical presentation of data presentation, data acquisition, alarm handling, scheduler and timed actions, recipe data storage, users and passwords, e-mail and RSS feeds, rotating menus.
- Indexed addressing and cross-reference viewer.
- Wide selection of communication drivers for factory and building automation.
- Multiple drivers communication capability.
- Remote monitoring and control. Client-Server functionality. Mobile clients supported.
- Remote maintenance and support with VNC-based functionality.
- Off-line and on-line simulation of the HMI application with JMobile Studio.
- Powerful scripting language for automating HMI applications. Includes script debugger.
- Create and print reports to printers and to file.
- Page templates to simplify application design.
- Rich gallery of symbols and objects.
- IP camera widget
- Optional CODESYS PLC

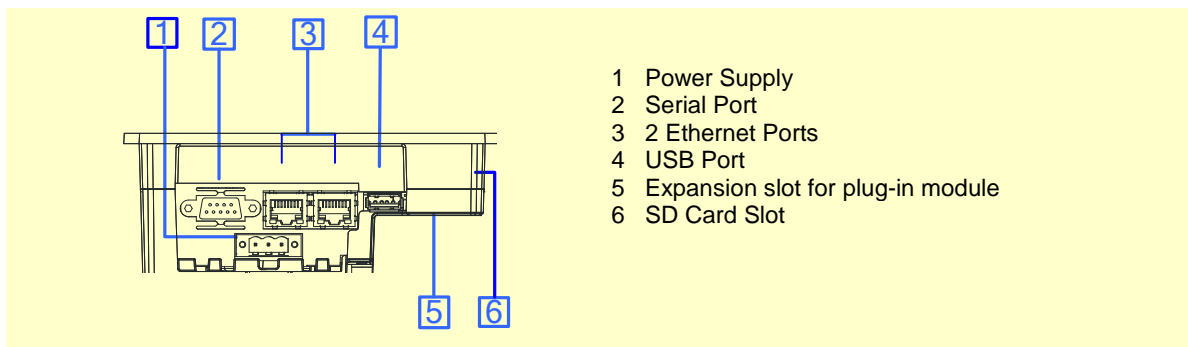
## Technical Data

<b>Display</b> Type Resolution Active display area Colors Backlight Brightness Dimming	TFT 800x480, WVGA 5" diagonal 64K LED 200 Cd/m <sup>2</sup> typ. Dimmable to 0%	<b>Environmental Conditions</b> Operating temperature Storage temperature Operating and storage humidity Protection class	-20° to +60 °C (vertical installation) Plug-in modules and USB devices may limit max temperature to +50 °C. -20 to +70 °C 5 – 85 % relative humidity, non-condensing IP66 (front) IP20 (rear)
<b>System Resources</b> Operating System User memory RAM	Microsoft Windows CE 6.0 128 MB Flash 256MB DDR	<b>Dimensions</b> Faceplate LxH Cutout AxB Depth D+T	147x107 mm (5.78x4.21") 136x96 mm (5.35x3.78") 56+8 mm (2.40+0.31")
<b>Operator Interface</b> Touchscreen LED indicators	Projected capacitive -	<b>Approvals</b> CE ATEX IECEx UL RCM	Emission EN 61000-6-4 Immunity EN 61000-6-2 for installation in industrial environments Zone 2/22 II 3G Ex nA IIC T4 Gc -20<Tamb<+60°C II 3D Ex tc IIIC T105°C Dc Zone 2/22 Ex nA IIC T4 Gc -20<Tamb<+60°C Ex tc IIIC T105°C Dc UL508 Listed Haz. Loc. Class I, Division 2, Groups A,B,C and D. RCM mark
<b>Interface</b> Ethernet USB Serial Memory Card Expansion	2 10/100 Mbit with integrated Switch 1 Host Interface (version 2.0 and 1.1) RS-232, RS-485, RS-422, software configurable Max 2 serial ports with optional plug-in modules. SD Card slot 1 slot for optional plug-in modules		
<b>Functionality</b> Hardware Real Time Clock Screen saver Buzzer	Yes, with battery back-up Yes Yes, audible feedback for touchscreen		
<b>Ratings</b> Power supply voltage Current consumption Fuse Weight Battery	24 Vdc (10 to 32 Vdc) 0.6 A at 24Vdc(max.) Automatic Approx 1.0 Kg Rechargeable Lithium battery, not user-replaceable		

**Dimensions**



**Connections**



- 1 Power Supply
- 2 Serial Port
- 3 2 Ethernet Ports
- 4 USB Port
- 5 Expansion slot for plug-in module
- 6 SD Card Slot

## Ordering Information

Model	Part Number	Description
eTOP605	+ETOP605U5P1	5" widescreen TFT color with projected capacitive touchscreen. Ethernet, serial and USB interfaces. JMobile runtime.



### SCIGATE AUTOMATION (S) PTE LTD

No.1 Bukit Batok Street 22 #01-01 Singapore 659592

Tel: (65) 6561 0488

Fax: (65) 6562 0588

Email: [sales@scigate.com.sg](mailto:sales@scigate.com.sg)

Web: [www.scigate.com.sg](http://www.scigate.com.sg)

Business Hours: Monday - Friday 8.30am - 6.15pm

**ptn0434**

**Ver. 1.3**

**Copyright © 2014, 2016 Exor International S.p.A. – Verona, Italy**

Subject to change without notice

The information contained in this document is provided for informational purposes only. While efforts were made to verify the accuracy of the information contained in this documentation, it is provided "as is" without warranty of any kind.

[www.exorint.net](http://www.exorint.net)