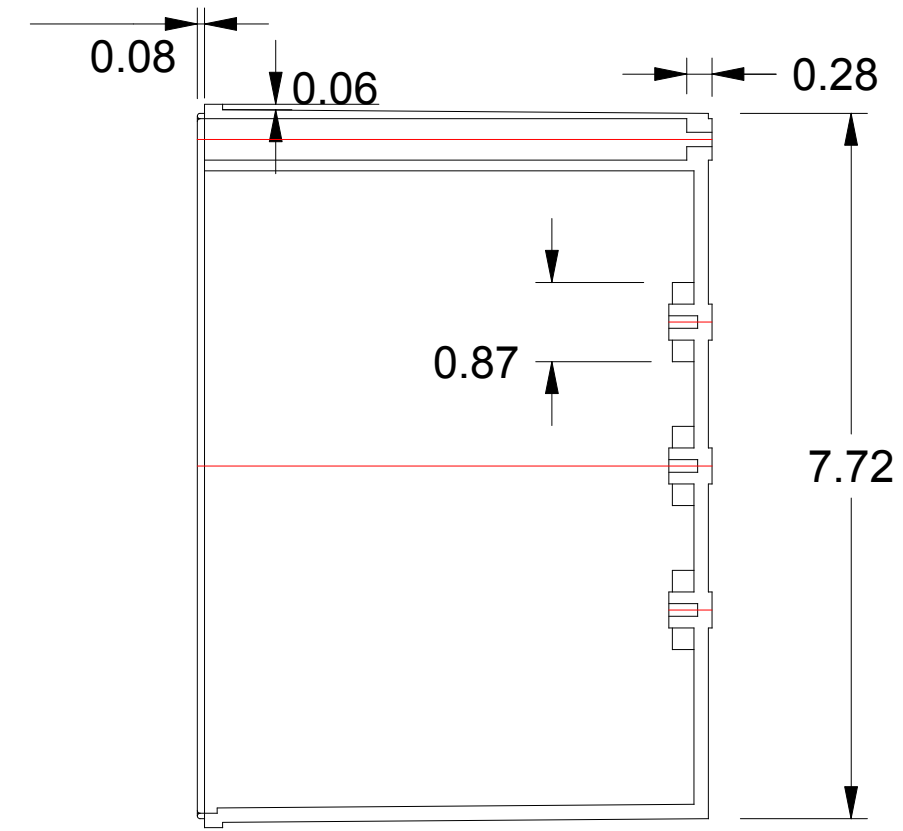
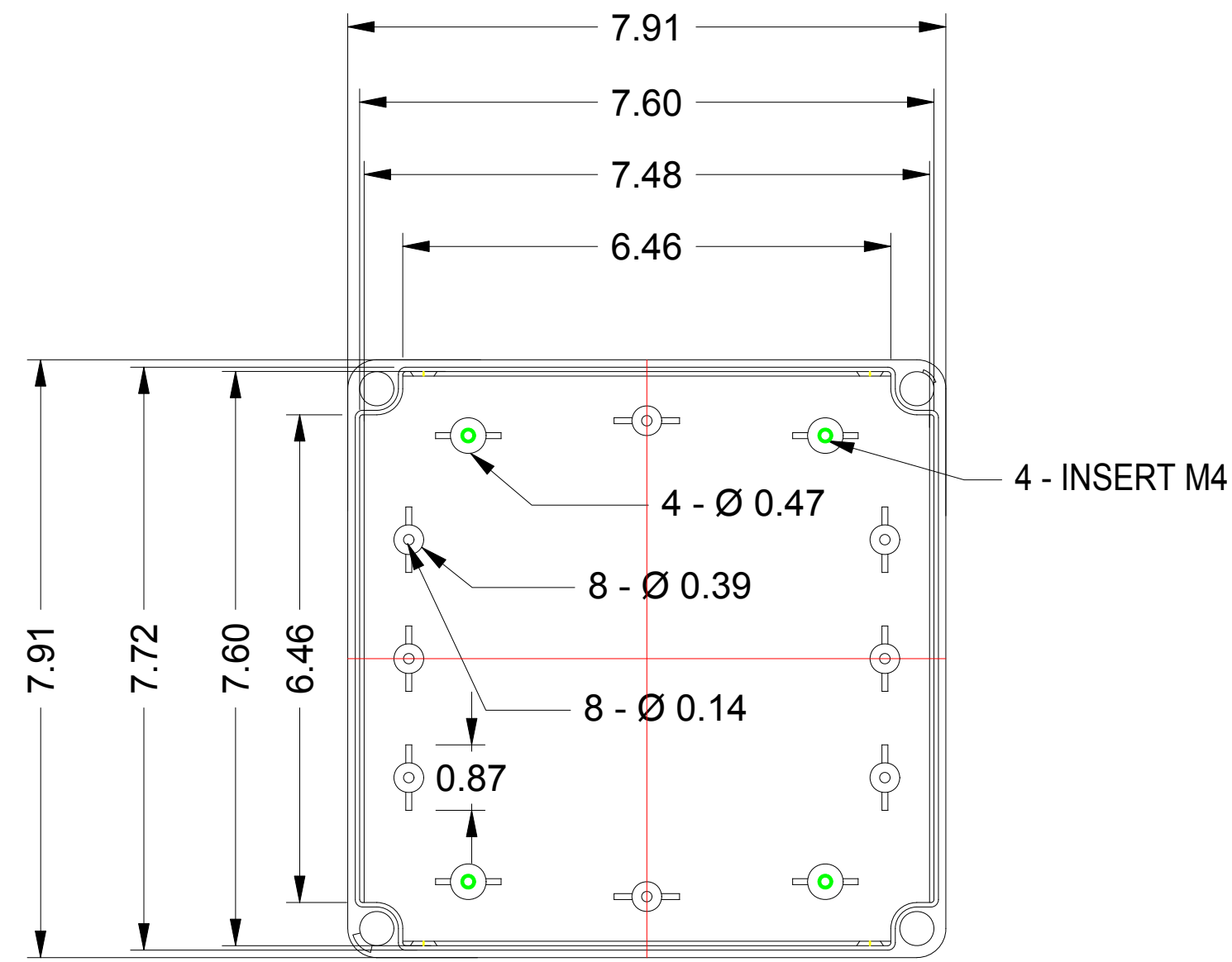




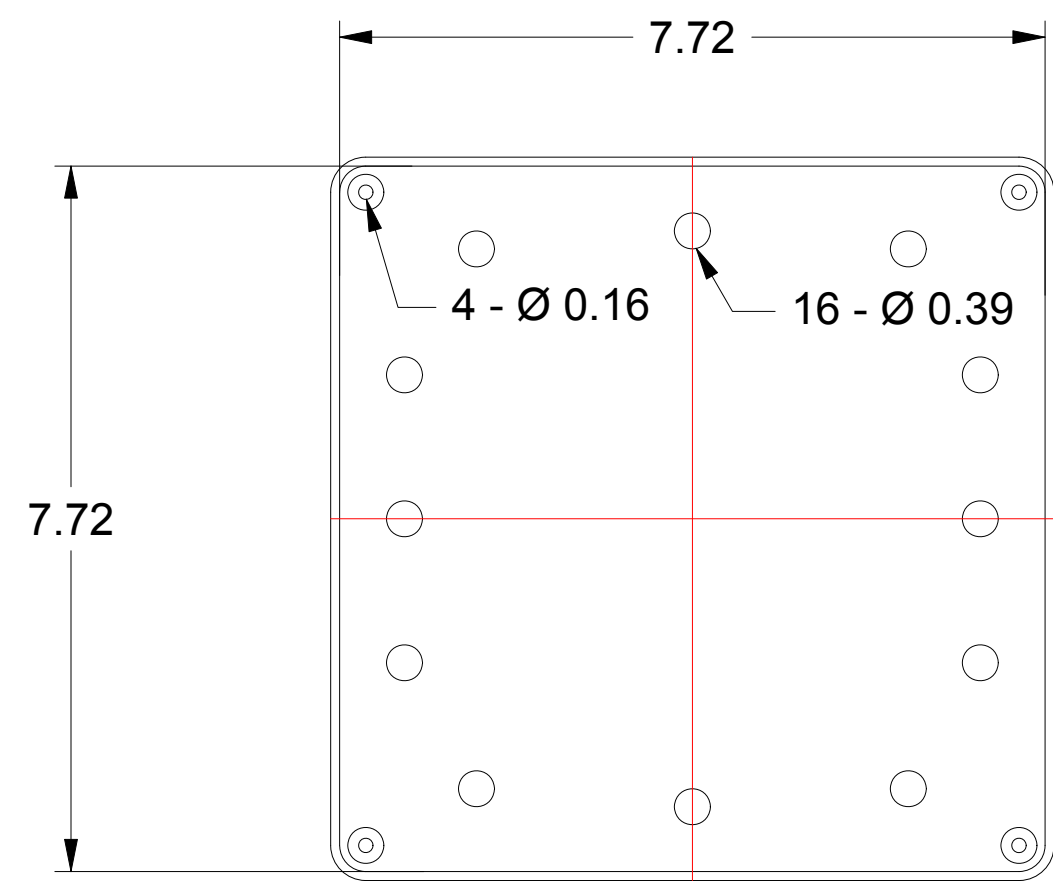
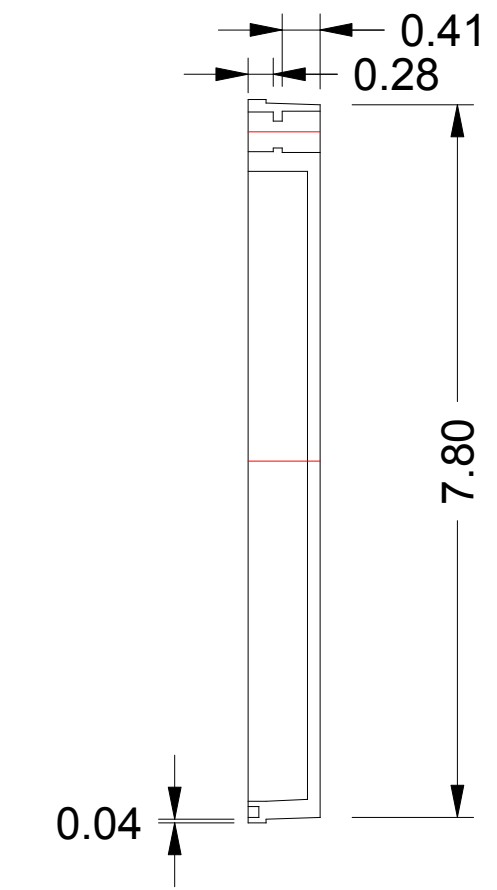
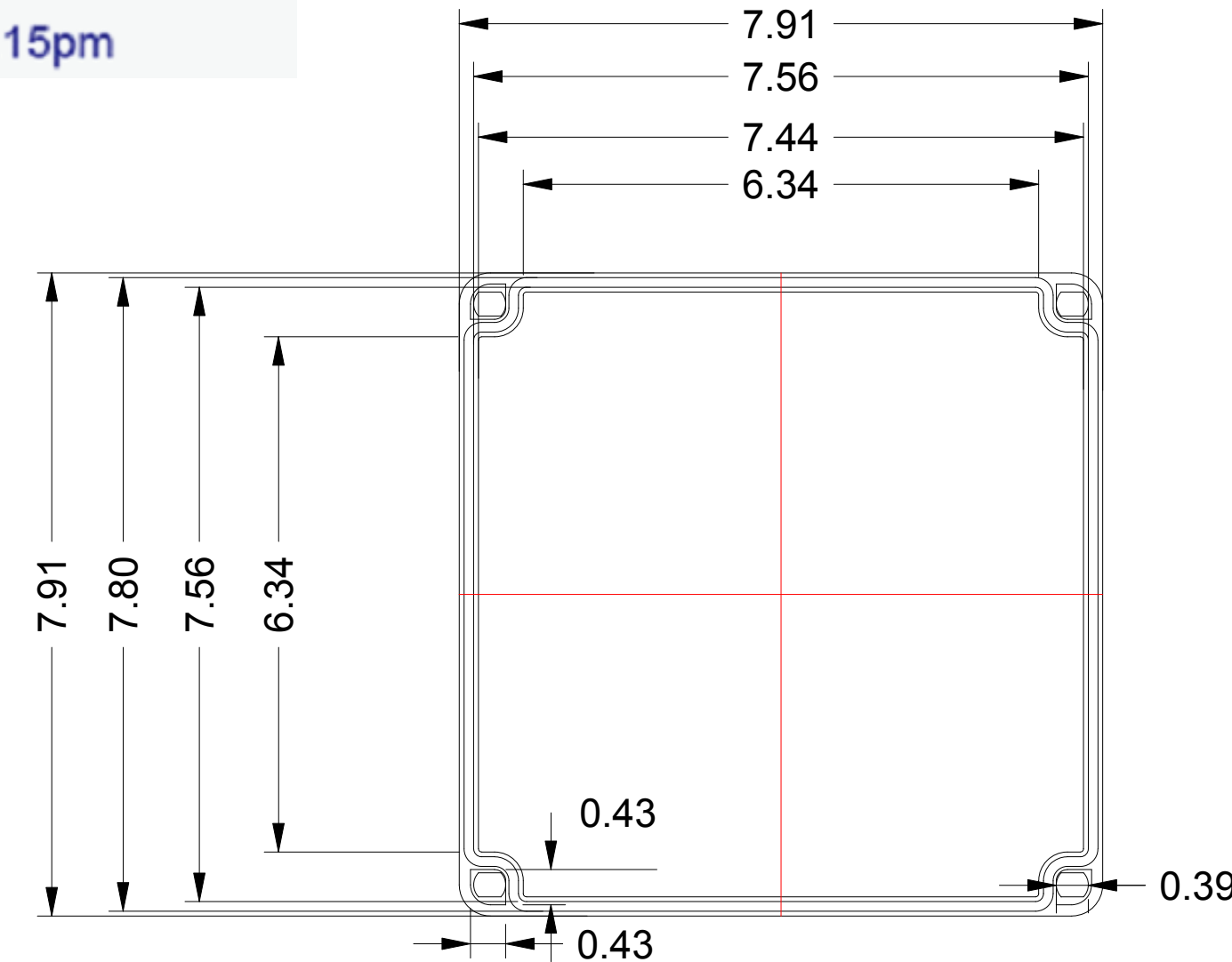
SCIGATE AUTOMATION (S) PTE LTD

No.1 Bukit Batok Street 22 #01-01 Singapore 659592
 Tel: (65) 6561 0488 Fax: (65) 6562 0588
 Email: sales@scigate.com.sg Web: www.scigate.com.sg
 Business Hours: Monday - Friday 8.30am - 6.15pm

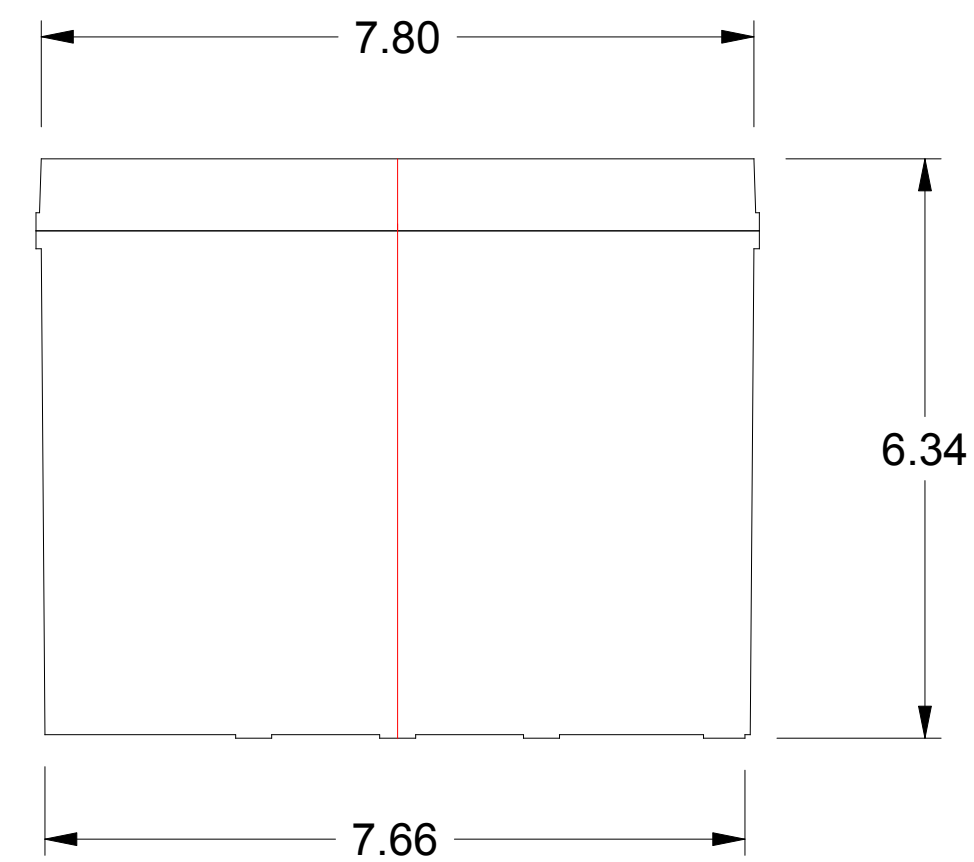
BODY



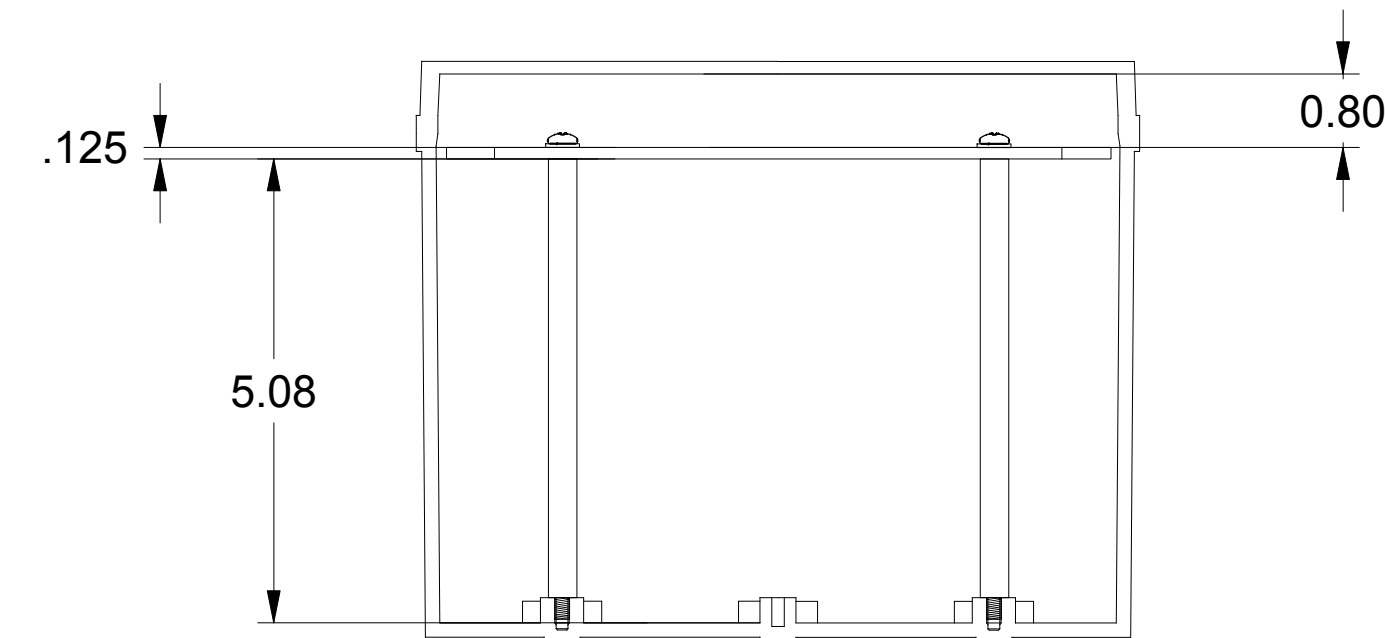
COVER



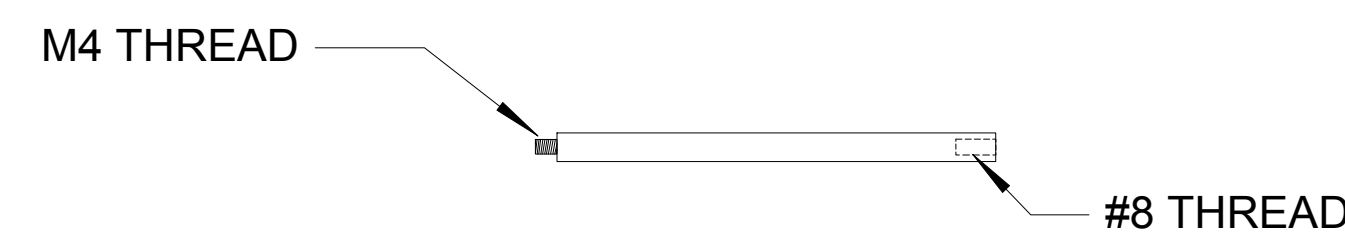
BOTTOM VIEW



ASSEMBLED SIDE VIEW



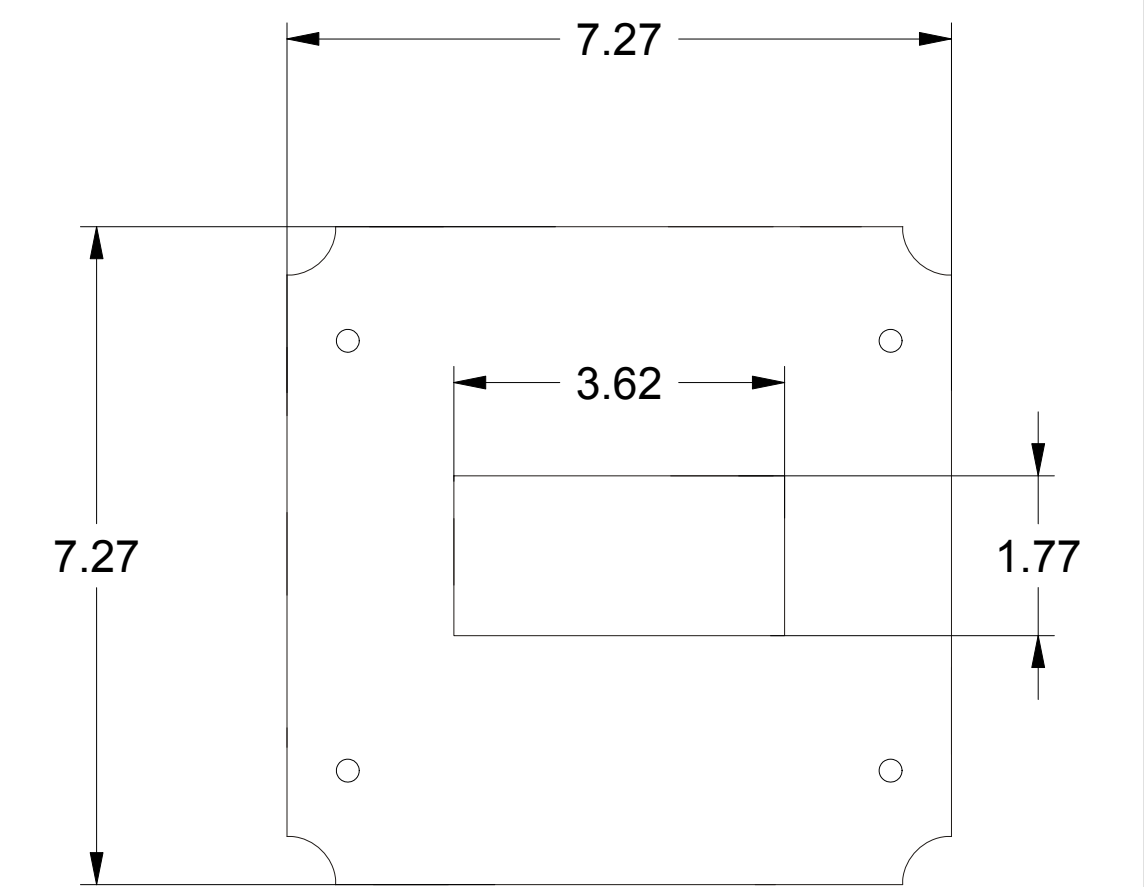
CUT-AWAY SIDE VIEW



STAND-OFF



HARDWARE



MOUNTING PLATE

NOTES: ALL DIMENSIONS SHOWN ARE IN INCHES.

DRAWN
P. Colin
02/01/2016

FLOWLINE INC.		
LOS ALAMITOS, CA 90720		
LM92-1002 ENCLOSURE DRAWING FILE 301681 REV A		
SCALE 1:2	SIZE D (34 x 22)	SHEET 1 OF 1