

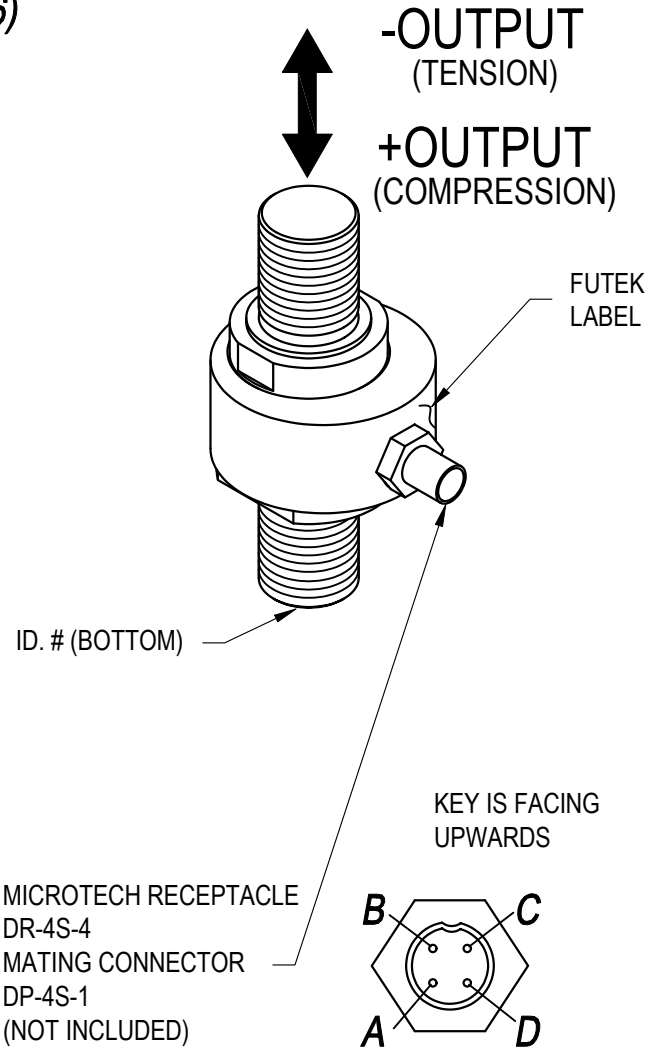
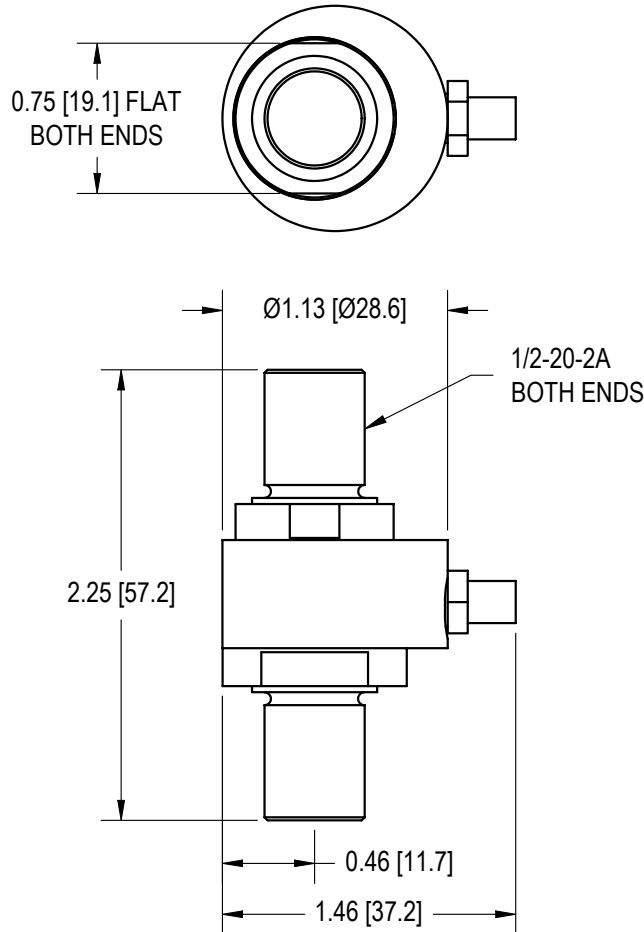
FUTEK MODEL LCM425
 STK# FSH01910

MINIATURE INLINE THREADED TENSION AND COMPRESSION LOAD CELL
 (Previously L1656)

Drawing Number: FI1121-A

INCH [mm] | R.O.= Rated Output

WIRING CODE (CC6)			
+Excitation	-Excitation	+Signal	-Signal
RED PIN 'A'	BLACK PIN 'B'	GREEN/YELLOW PIN 'C'	WHITE PIN 'D'



SPECIFICATIONS:

CAPACITY	5000 lb [22240 N]
RATED OUTPUT	1 mV/V nom.
SAFE OVERLOAD	150% of R.O.
ZERO BALANCE	±3% of R.O.
EXCITATION (VDC OR VAC)	18 MAX
BRIDGE RESISTANCE	350 Ω nom.
NONLINEARITY	±0.5% of R.O.
HYSTERESIS	±0.5% of R.O.
NONREPEATABILITY	±0.2% of R.O.
TEMP. SHIFT ZERO	±0.01% of R.O./°F [0.018% of R.O./°C]
TEMP. SHIFT SPAN	±0.02% of LOAD/°F [0.036% of LOAD/°C]
COMPENSATED TEMP.	60 to 160°F [15 to 72°C]
OPERATING TEMP.	-60 to 200°F [-50 to 93°C]
MATERIAL (SENSOR)	17-4PH S.S.
MATERIAL (COVER)	WELDED 17-4PH S.S.
WEIGHT	3 oz [85 g]
DEFLECTION	0.0016 [0.04] nom.
CONNECTOR: MICROTECH 4 Pin Receptacle (DR-4S-4)	
ACCESSORIES AND RELATED INSTRUMENTS AVAILABLE	
CALIBRATION (STD)	5 pt. COMPRESSION; 100K Ω SHUNT CAL. VALUE
CALIBRATION (AVAILABLE)	TENSION
CALIBRATION TEST EXCITATION	10 VDC

SCIGATE
 Your Automation Partner



SCIGATE AUTOMATION (S) PTE LTD

No.1 Bukit Batok Street 22 #01-01 Singapore 659592

Tel: (65) 6561 0488

Fax: (65) 6562 0588

Email: sales@scigate.com.sg

Web: www.scigate.com.sg

Business Hours: Monday - Friday 8.30am - 6.15pm

FUTEK
 ADVANCED SENSOR TECHNOLOGY, INC.

This drawing is submitted solely for the information and exclusive use of the original addressee. It is not to be divulged in whole or in part, by any firm or individual without written permission from FUTEK

10 THOMAS
 IRVINE, CA 92618 USA
 1-800-23-FUTEK (38835)

INTERNET:
<http://www.futek.com>