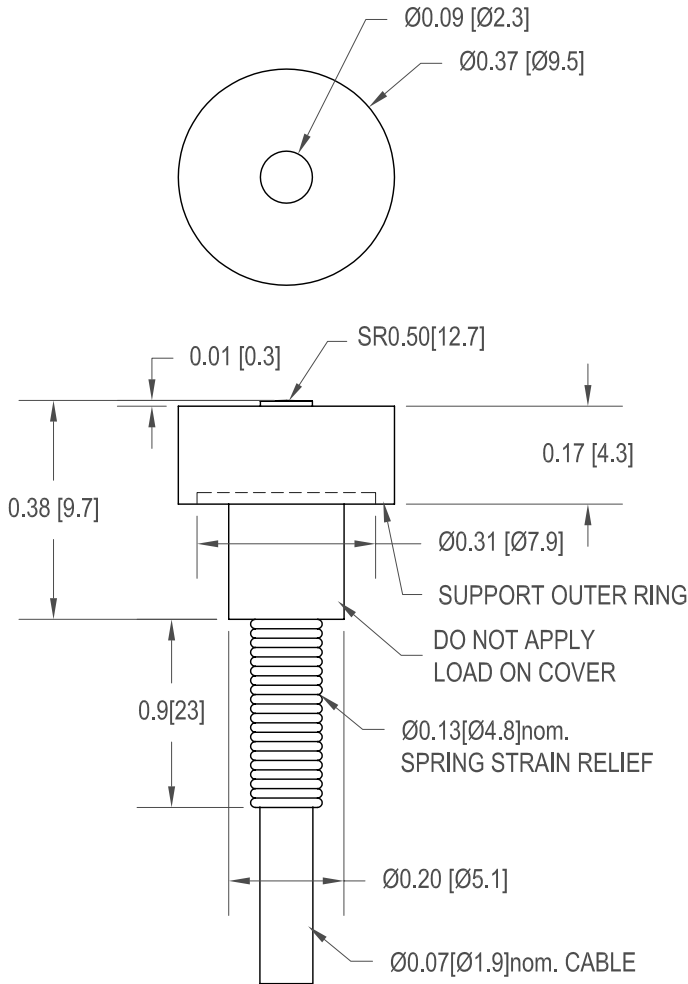


FUTEK MODEL LLB205 (L1611) SUBMINIATURE LOAD BUTTON LOAD CELL

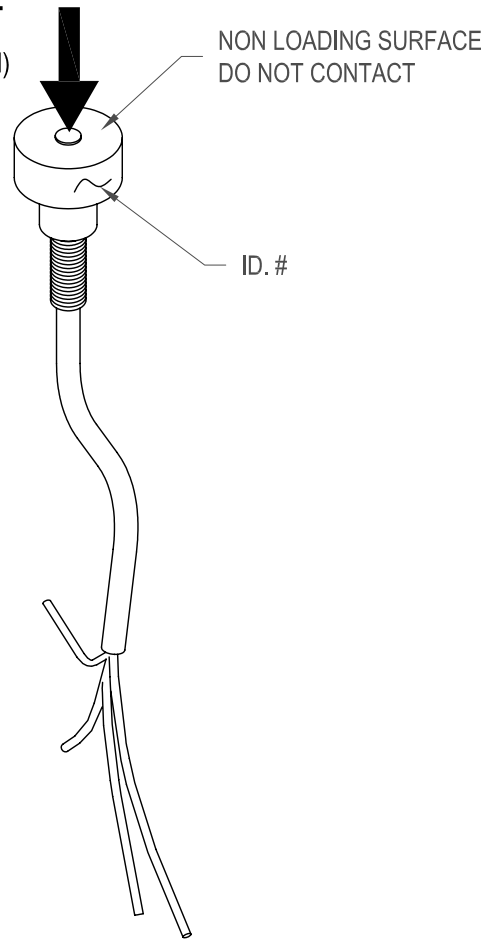
Drawing Number: FI1257

INCH [mm] R.O.= Rated Output

WIRING CODE (WC1)			
+Excitation	-Excitation	+Signal	-Signal
RED	BLACK	GREEN	WHITE
Shield			
FLOATING			



+ OUTPUT
(COMPRESSION)



SPECIFICATIONS:

SAFE OVERLOAD	150% of R.O.
ZERO BALANCE	$\pm 3\%$ of R.O.
EXCITATION (VDC OR VAC)	7 MAX
BRIDGE RESISTANCE	350 Ω nom.
NONLINEARITY	$\pm 0.5\%$ of R.O.
HYSTERESIS	$\pm 0.5\%$ of R.O.
NONREPEATABILITY	$\pm 0.1\%$ of R.O.
TEMP. SHIFT ZERO	$\pm 0.02\%$ of R.O./°F [0.036% of R.O./°C]
TEMP. SHIFT SPAN	$\pm 0.02\%$ of LOAD/°F [0.036% of LOAD/°C]
COMPENSATED TEMP.	60 to 160°F [15 to 72°C]
OPERATING TEMP.	-60 to 200°F [-50 to 93°C]
WEIGHT	1 oz [28 g]
MATERIAL	17-4 PH S.S.
DEFLECTION	0.002 [0.05] nom.
CABLE: #29 AWG, 4 Conductor, Spiral Shielded Silicone Cable 10 ft [3m] Long	
ACCESSORIES AND RELATED INSTRUMENTS AVAILABLE	
CALIBRATION (STD)	5 pt. COMPRESSION; 60.4 K Ω SHUNT CAL. VALUE
CALIBRATION TEST EXCITATION	5 VDC

SCIENCE GATE
Your Automation Partner



SCIGATE AUTOMATION (S) PTE LTD

No. 1 Bukit Batok Street 22 #01-01 Singapore 659592

Tel: (65) 6561 0488

Fax: (65) 6562 0588

Email: sales@scigate.com.sg

Web: www.scigate.com.sg

Business Hours: Monday - Friday 8.30am - 6.15pm

STOCK NO:	CAPACITIES		RATED OUTPUT (nom.)
	lb	N	
FSH02616	10	44.5	1.5 mV/V
FSH02617	25	111	2 mV/V
FSH02618	50	222	

REFER TO LLB200 FOR SIDE CABLE EXIT VERSION

FUTEK
ADVANCED SENSOR TECHNOLOGY, INC.

This drawing is submitted solely for the information and exclusive use of the original addressee. It is not to be divulged in whole or in part, by any firm or individual without written permission from FUTEK

10 THOMAS
IRVINE, CA 92618 USA
1-800-23-FUTEK (38835)

INTERNET:
<http://www.futek.com>