

# FUTEK MODEL MTA500

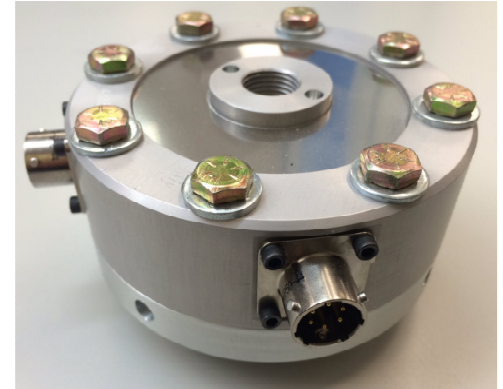
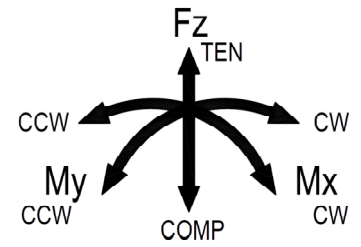
# LOW PROFILE THRUST AND MOMENT LOAD CELL

DRAWING NUMBER: FI1008-F

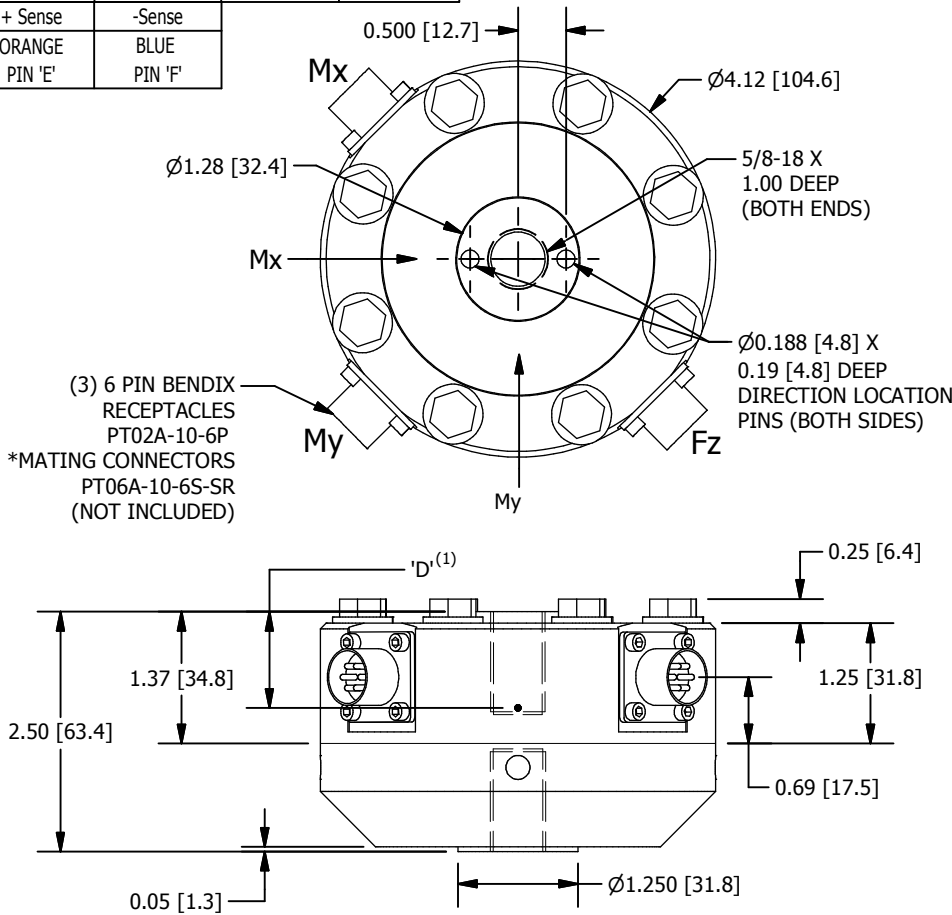
INCH [mm] | R.O. = Rated Output

WIRING CODE (CC1)

+ Excitation	- Excitation	+ Signal	- Signal
RED PIN 'A'	BLACK PIN 'B'	GREEN PIN 'C'	WHITE PIN 'D'
+ Sense ORANGE PIN 'E'	-Sense BLUE PIN 'F'		



TEN=TENSION (+OUTPUT)  
 COMP=COMPRESSION (-OUTPUT)  
 CW=CLOCKWISE (+OUTPUT)  
 CCW=COUNTER CLOCKWISE (-OUTPUT)



**SPECIFICATIONS:**

RATED OUTPUT	SEE CHART
CAPACITY	SEE CHART
SAFE OVERLOAD	150 % of R.O.
ZERO BALANCE	±2% of R.O.
EXCITATION (VDC OR VAC)	18 MAX
BRIDGE RESISTANCE	350/700 Ω nom.
NONLINEARITY (Mx, My)	±0.5% of R.O.
NONLINEARITY (Fz)	±0.2% of R.O.
CROSS TALK	±2% of R.O., OR LESS
TEMP. SHIFT ZERO	±0.01% of R.O./°F (±0.018 of R.O./°C)
TEMP. SHIFT SPAN	±0.01% of LOAD/°F (±0.018 of LOAD/°C)
COMPENSATED TEMP.	60 to 160 °F (16 to 71 °C)
OPERATING TEMP	-60 to 200 °F (-51 to 93 °C)
MATERIAL	SEE CHART
IP RATING	IP65
CONNECTOR: (3) 6 Pin BENDIX Receptacle (PT02A-10-6P)	
ACCESSORIES AND RELATED INSTRUMENTS AVAILABLE	
CALIBRATION (STD)	5 pt. COMPRESSION, CW; SEE CHART FOR SHUNT CAL. VALUE
CALIBRATION (OPTIONAL)	5pt. TENSION, CCW
CALIBRATION TEST EXCITATION	10 VDC
(1) Mx/My Moment Reference Point.	

ITEM #	CAPACITY		RATED OUTPUT		'D'	MATERIAL	SHUNT	
	lb (Fz)	in-lb (Mx, My)	mV/V (Fz)	mV/V (Mx, My)			KΩ (Fz)	KΩ (Mx, My)
FSH01954	250	100	1	0.75	0.745 [18.9]	ALUMINUM	200	100
FSH03191	500	200						
FSH02505	1,000	400						
FSH01929	2,000	800	2	0.75	0.809 [20.5]	17-4 ph S.S.	100	100
FSH02299	5,000	1,000						
FSH03086	10,000	2,000						



**SCIGATE AUTOMATION (S) PTE LTD**  
 No.1 Bukit Batok Street 22 #01-01 Singapore 659592  
 Tel: (65) 6561 0488 Fax: (65) 6562 0588  
 Email: sales@scigate.com.sg Web: www.scigate.com.sg  
 Business Hours: Monday - Friday 8.30am - 6.15pm



This drawing is submitted solely for the information and exclusive use of the original addressee. It is not to be divulged in whole or in part, by any firm or individual without written permission from FUTEK

10 THOMAS  
 IRVINE, CA 92618 USA  
 +1 (949) 465-0900

INTERNET:  
<http://www.futek.com>  
 SHEET 1 OF 1