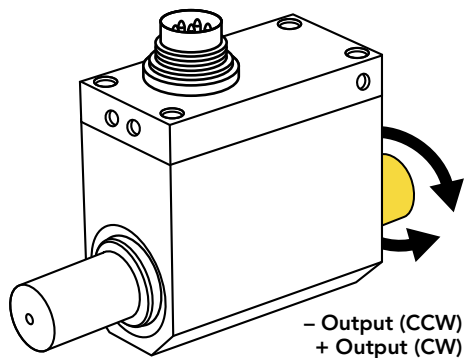




FEATURES

- Utilizes strain gauge technology
- Compact size
- Can operate up to 12000 RPM (9-89 in-lb)

Active end



SPECIFICATIONS

PERFORMANCE

Nonlinearity	±0.2% of RO
Hysteresis	±0.1% of RO
Nonrepeatability	±0.2% of RO
Rotational Speed	12000 Max (9-89 in-lb) 9000 Max (177-885 in-lb)

ELECTRICAL

Rated Output (RO)	±5 VDC
Excitation (VDC or VAC)	11–26 VDC, 1 Watt
Connection	12 pin Binder Series #581 (09-0331-90-12)

MECHANICAL

Weight (approximate)	0.6 lb [0.28 kg] (9-89 in-lb) 1.1 lb [0.50 kg] (177-443 in-lb) 2.3 lb [1.06 kg] (885 in-lb)
----------------------	---

Safe Overload	150% of RO
---------------	------------

Material	Aluminum (Housing) Alloy Steel (Shaft)
----------	---

IP Rating	IP40
-----------	------

TEMPERATURE

Operating Temperature	–13 to 176°F (–25 to 80°C)
Compensated Temperature	41 to 122°F (5 to 50°C)
Temperature Shift Zero	±0.01% of RO/°F (±0.02% of RO/°C)
Temperature Shift Span	±0.01% of RO/°F (±0.02% of RO/°C)

CALIBRATION

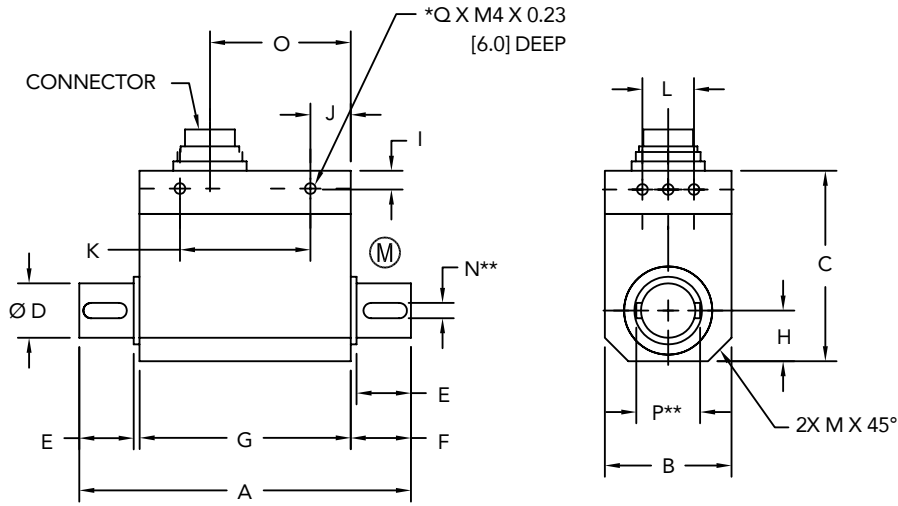
Calibration Test Excitation	12 VDC
Calibration (standard)	Certificate of Conformance
Calibration (available)	5-pt CW & CCW
Shunt Calibration Value	With sensor fully connected apply 11–26 VDC to Pins A & K to generate 5 VDC nom output

CONFORMITY

RoHS	2014/30/EU
------	------------

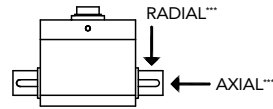
CE	Declaration of Conformity
----	---

DIMENSIONS inches [mm]



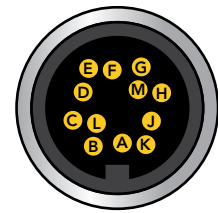
(M) = MEASURING SIDE

* ANTI-ROTATION HOLES. NOT TO BE USED TO SUPPORT LOAD.
 **FEATHER KEYWAYS PER DIN 6885, KEYWAYS COME PRE-INSTALLED



CONNECTOR CODES

PIN	COLOR	DESCRIPTION
A	Yellow	Shunt Cal (gnd)
C	Green	Signal
D	White	Return (Signal)
E	Black	Ground
F	Red	Power
K	Purple	Shunt Cal
M	Floating	Shield



CAPACITIES

ITEM #	in-lb	Nm	A	B	C	Ø D	E	F	G	H	I	J	K	L	M	N**	O	P**	Q*	*** Max Axial Force lb [N]	*** Max Radial Force lb [N]	Rotational Speed (max)
FSH01994	9	1																		4.5 [20]	1 [5]	12000 RPM
FSH01995	18	2	3.62 [92]	1.10 [28]	2.04 [52]	0.394 [10] g6	0.63 [16]	0.67 [17]	2.28 [58]	0.55 [14]	0.19 [5]	0.43 [11]	-	0.31 [8]	0.32 [8]	-	1.46 [37]	-	6	11 [50]	1 [5]	
FSH01996	44	5																		2 [10]		
FSH01997	89	10																		4.5 [20]	4.5 [20]	
FSH01998	177	20	4.25 [108]	1.49 [38]	2.28 [58]	0.748 [19] g6	1.18 [30]	1.26 [32]	1.73 [44]	0.75 [19]	0.24 [6]	0.86 [22]	-	-	0.40 [10]	0.236 [6]	0.87 [22]	0.945 [24]	3	34 [150]	4.5 [20]	9000 RPM
FSH01999	443	50																		7 [30]	11 [50]	
FSH02730	885	100																		90 [400]	56 [250]	



SCIGATE AUTOMATION (S) PTE LTD
 No.1 Bukit Batok Street 22 #01-01 Singapore 659592
 Tel: (65) 6561 0488 Fax: (65) 6562 0588
 Email: sales@scigate.com.sg Web: www.scigate.com.sg
 Business Hours: Monday - Friday 8.30am - 6.15pm

Drawing Number: FI1406-A

FUTEK reserves the right to modify its design and specifications without notice.
 Please visit <http://www.futek.com/salesterms> for complete terms and conditions.

10 Thomas, Irvine, CA 92618 USA

Tel: (949) 465-0900
 Fax: (949) 465-0905

www.futek.com



ROHS



U.S. Manufacturer