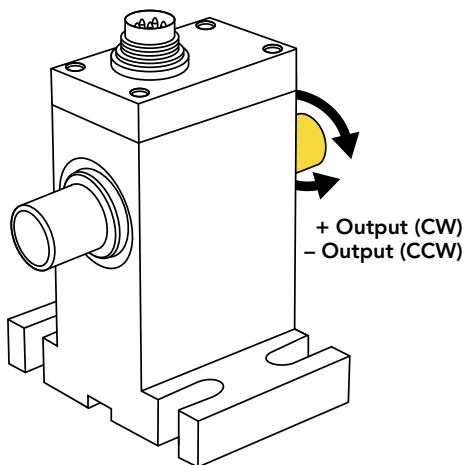




**FEATURES**

- Utilizes strain gauge technology
- Angle speed feedback included
- Compact size
- Can operate up to 7000 RPM

**Active end**



**SPECIFICATIONS**

**PERFORMANCE**

Nonlinearity	±0.2% of RO
Hysteresis	±0.1% of RO
Nonrepeatability	±0.2% of RO
Rotational Speed	7000 Max

**ELECTRICAL**

Rated Output (RO)	±5 VDC
Excitation (VDC or VAC)	11–26 VDC, 1 Watt
Connection	12 pin Binder Series #581 (09-0331-90-12)

**MECHANICAL**

Safe Overload	150% of RO
Material	Aluminum (Housing) Steel Alloy (Shaft)
IP Rating	IP40

**TEMPERATURE**

Operating Temperature	-13 to 176°F (-25 to 80°C)
Compensated Temperature	41 to 122°F (5 to 50°C)
Temperature Shift Zero	±0.01% of RO/°F (±0.02% of RO/°C)
Temperature Shift Span	±0.01% of RO/°F (±0.02% of RO/°C)

**CALIBRATION**

Calibration Test Excitation	12 VDC
Calibration (standard)	Certificate of Conformance
Calibration (available)	5-pt CW & CCW
Shunt Calibration Value	With sensor fully connected apply 11–26 VDC to Pins A & K to generate 5 VDC nom output

**ENCODER**

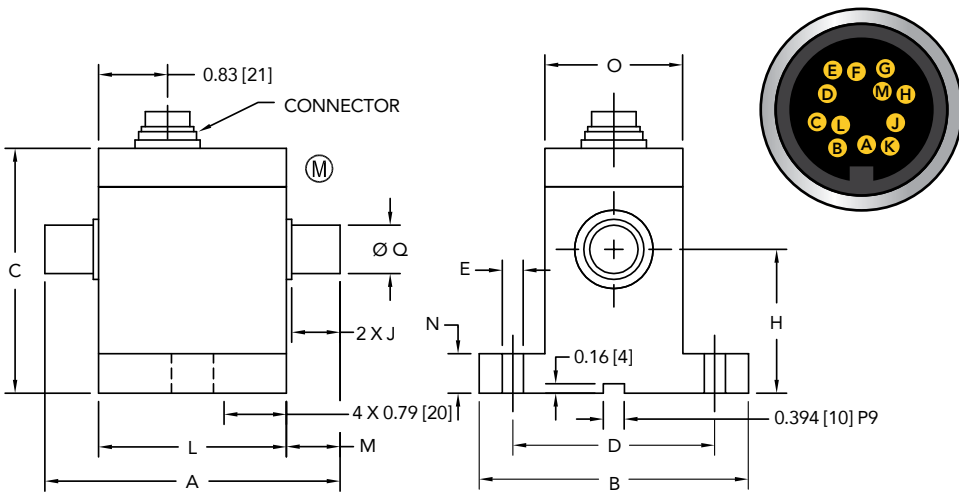
Output	Impulse (TTL)
Pulses per Revolution	2 × 360
Excitation	5 VDC
Angle 1	Leading Pulse
Angle 2	Trailing Pulse (90°)

**CONFORMITY**

RoHS	2014/30/EU
CE	<a href="#">Declaration of Conformity</a>

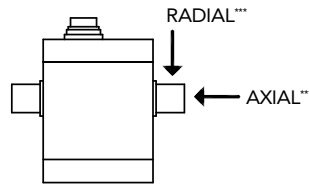
# Model TRS705

## DIMENSIONS inches [mm]



Ⓜ = MEASURING SIDE

\* MAXIMUM LOAD ALLOWED. NOT FOR MEASUREMENT.



## TORQUE CONNECTOR CODES

PIN	COLOR	DESCRIPTION
C	Green	Signal Output
D	White	Ground
E	Black	Ground
F	Red	Power

## ANGLE CONNECTOR CODES

PIN	COLOR	DESCRIPTION
B	Blue	Signal (Angle 1)
E	Black	Ground
G	Brown	Signal (Angle 2)
H	Orange	Power

## SHUNT CAL CONNECTOR CODES

PIN	COLOR	DESCRIPTION
A	Yellow	Ground
K	Purple	Power

## SHIELD CONNECTOR CODES

PIN	COLOR	DESCRIPTION
M	Floating	Shield

## CAPACITIES

ITEM #	in-lb	Nm	Ø Q	A	B	C	D	E	H	J	L	M	N	O	*** Max Axial Force lb [N]	*** Max Radial Force lb [N]	Weight lb [kg]
FSH02562	8.9	1	0.394 [10] g6	3.54 [90]	2.28 [58]	3.27 [83]	1.77 [45]	0.28 [7]	1.77 [45]	0.59 [15]	2.28 [58]	0.63 [16]	0.47 [12]	1.10 [28]	4.5 [20]	3 [15]	1.1 [0.50]
FSH02563	17.7	2													11 [50]	5 [25]	
FSH02564	44.3	5													22 [100]	11 [50]	
FSH02565	88.5	10	0.669 [17] g6	4.17 [106]	3.35 [85]	4.02 [102]	2.36 [60]	0.35 [9]	2.48 [63]	0.87 [22]	2.32 [59]	0.91 [23]	0.59 [15]	1.50 [38]	33 [150]	33 [150]	2.2 [1.00]
FSH02566	177	20													33 [150]	33 [150]	
FSH02567	443	50													45 [200]	33 [150]	



RoHS



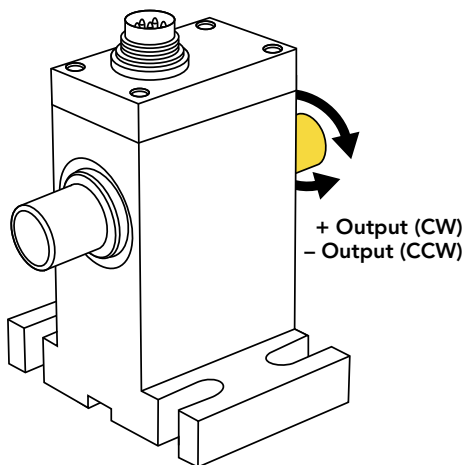
U.S. Manufacturer



**FEATURES**

- Utilizes strain gauge technology
- Angle speed feedback included
- Compact size
- Can operate up to 7000 RPM

**Active end**



**SPECIFICATIONS**

**PERFORMANCE**

Nonlinearity	±0.2% of RO
Hysteresis	±0.1% of RO
Nonrepeatability	±0.2% of RO
Rotational Speed	7000 Max

**ELECTRICAL**

Rated Output (RO)	±5 VDC
Excitation (VDC or VAC)	11–26 VDC, 1 Watt
Connection	12 pin Binder Series #581 (09-0331-90-12)

**MECHANICAL**

Safe Overload	150% of RO
Zero Balance	±1% of RO
Material	Aluminum (Housing) Steel Alloy (Shaft)
IP Rating	IP40

**TEMPERATURE**

Operating Temperature	–13 to 176°F (–25 to 80°C)
Compensated Temperature	41 to 122°F (5 to 50°C)
Temperature Shift Zero	±0.01% of RO/°F (±0.02% of RO/°C)
Temperature Shift Span	±0.01% of RO/°F (±0.02% of RO/°C)

**CALIBRATION**

Calibration Test Excitation	12 VDC
Calibration (standard)	Certificate of Conformance
Calibration (available)	5-pt CW & CCW
Shunt Calibration Value	With sensor fully connected apply 11–26 VDC to Pins A & K to generate 5 VDC nom output

**ENCODER**

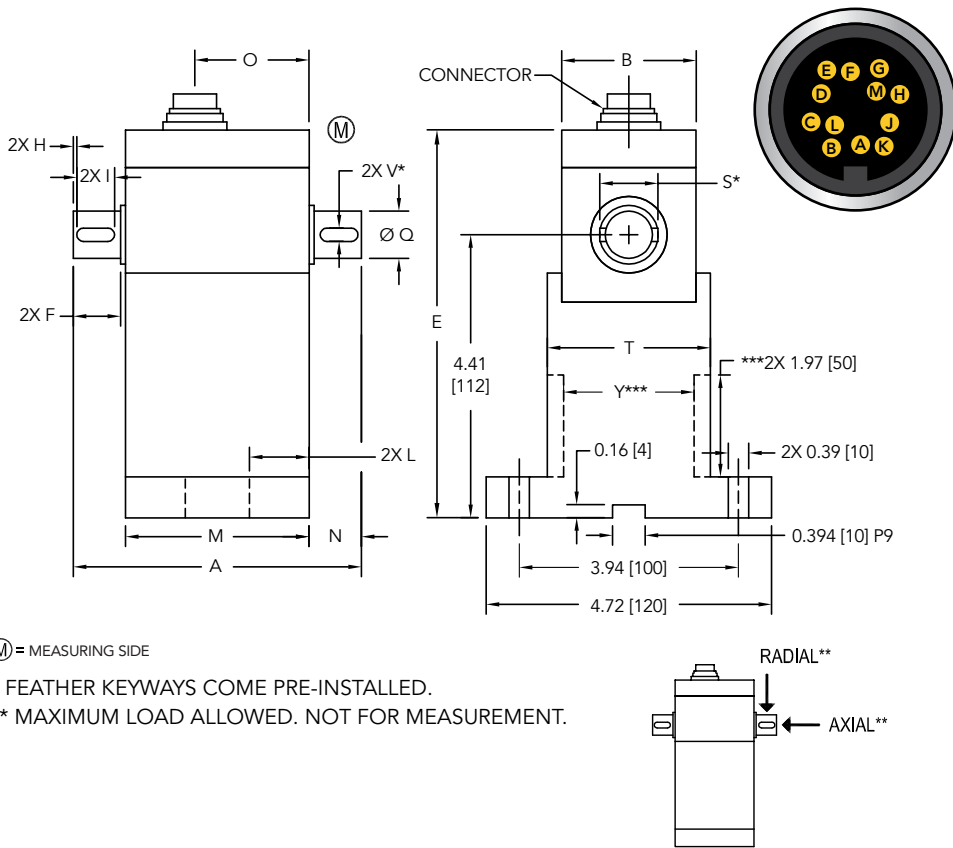
Output	Impulse (TTL)
Pulses per Revolution	2 × 360
Excitation	5 VDC
Angle 1	Leading Pulse
Angle 2	Trailing Pulse (90°)

**CONFORMITY**

RoHS	2014/30/EU
CE	<a href="#">Declaration of Conformity</a>

# Model TRS705

## DIMENSIONS inches [mm]



(M) = MEASURING SIDE

\* FEATHER KEYWAYS COME PRE-INSTALLED.

\*\* MAXIMUM LOAD ALLOWED. NOT FOR MEASUREMENT.

## TORQUE CONNECTOR CODES

PIN	COLOR	DESCRIPTION
C	Green	Signal Output
D	White	Ground
E	Black	Ground
F	Red	Power

## ANGLE CONNECTOR CODES

PIN	COLOR	DESCRIPTION
B	Blue	Signal (Angle 1)
E	Black	Ground
G	Brown	Signal (Angle 2)
H	Orange	Power

## SHUNT CAL CONNECTOR CODES

PIN	COLOR	DESCRIPTION
A	Yellow	Ground
K	Purple	Power

## SHIELD CONNECTOR CODES

PIN	COLOR	DESCRIPTION
M	Floating	Shield

## CAPACITIES

ITEM #	in-lb	Nm	Ø Q	A	B	E	F	H	I	L	M	N	O	S*	T	V*	Y***	** Max Axial Force lb [N]	** Max Radial Force lb [N]	WEIGHT lb [kg]
FSH02568	885	100	1.102 [28] g6	4.92	2.28	6.26	1.06	0.08	0.87	0.79	2.52	1.20	1.57	1.34	2.68	0.315	-	90 [400]	56 [250]	5.2 [2.36]
FSH02569	1770	200		4.92	2.28	6.26	1.06	0.08	0.87	0.79	2.52	1.20	1.57	1.34	2.68	0.315	-	90 [400]	67 [300]	
FSH02570	4425	500	1.654 [42] g6	7.76	2.87	6.52	2.28	0.12	1.97	0.98	2.87	2.44	1.73	1.89	3.27	0.551	2.87	180 [400]	90 [400]	9.5 [430]
FSH02571	8851	1000		7.76	2.87	6.52	2.28	0.12	1.97	0.98	2.87	2.44	1.73	1.89	3.27	0.551	2.87	225 [1000]	90 [400]	



SCIGATE AUTOMATION (S) PTE LTD

No. 1 Bukit Batok Street 22 #01-01 Singapore 659592

Tel: (65) 6561 0488

Fax: (65) 6562 0588

Email: sales@scigate.com.sg

Web: www.scigate.com.sg

Business Hours: Monday - Friday 8.30am - 6.15pm

Drawing Number: FI1411

FUTEK reserves the right to modify its design and specifications without notice.

Please visit <http://www.futek.com/salesterms> for complete terms and conditions.

10 Thomas, Irvine, CA 92618 USA

Tel: (949) 465-0900

Fax: (949) 465-0905

[www.futek.com](http://www.futek.com)



RoHS



U.S. Manufacturer