

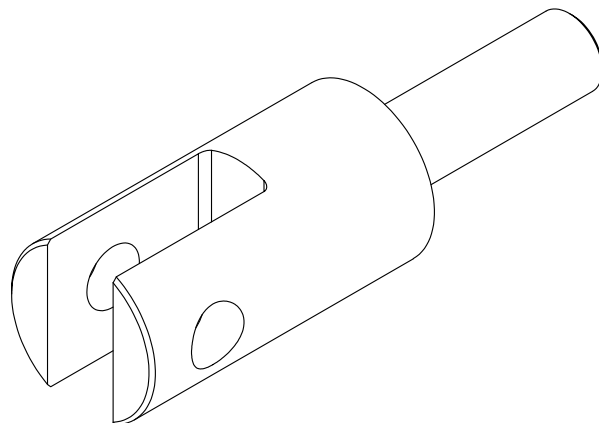
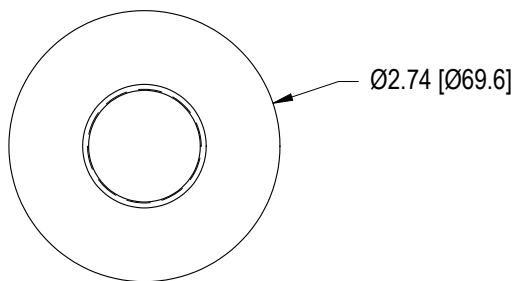
ACCESSORY

FEMALE YOKE W/ MALE THREAD

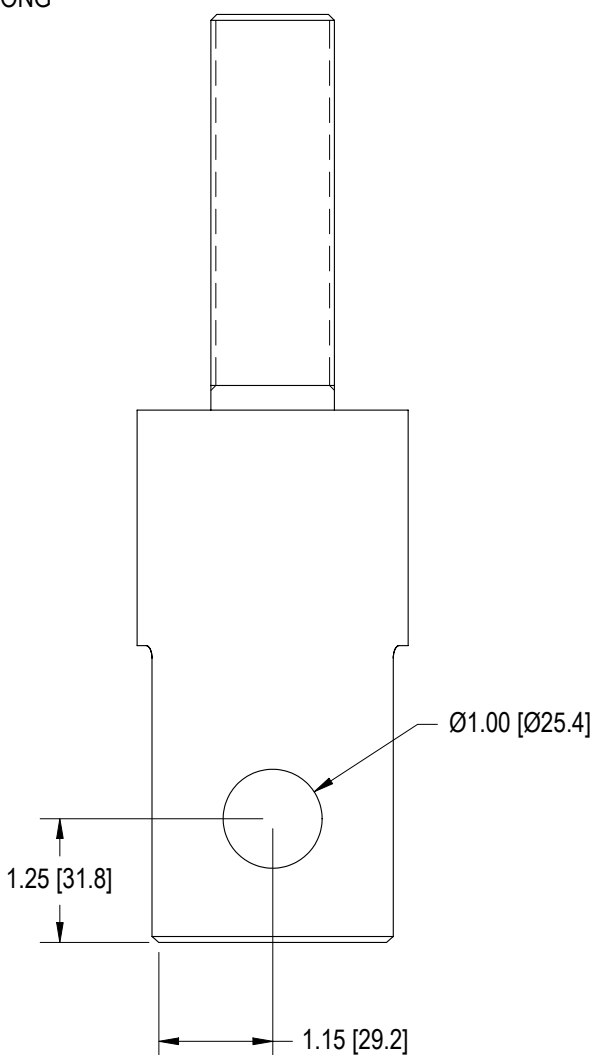
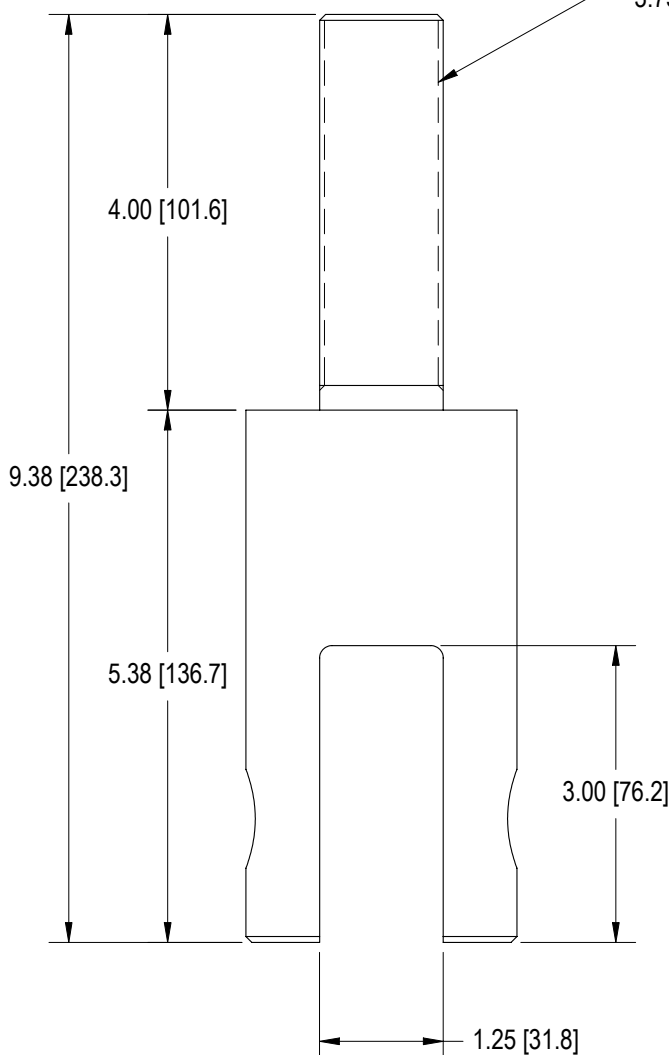
Model ZAC110

Drawing Number: FI1214

INCH [mm] | Material: 17-4 PH S.S.



'THREAD' X
3.75 [95.3] LONG



STOCK#	'THREAD'	MAX LOAD
MCP01069	M36 x 3	50K lb
MCP01070	1 1/4-12-2A	50K lb



SCIGATE AUTOMATION (S) PTE LTD
 No.1 Bukit Batok Street 22 #01-01 Singapore 659592
 Tel: (65) 6561 0488 Fax: (65) 6562 0588
 Email: sales@scigate.com.sg Web: www.scigate.com.sg
 Business Hours: Monday - Friday 8.30am - 6.15pm