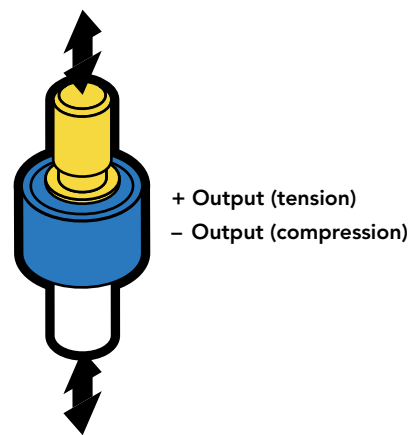




FEATURES

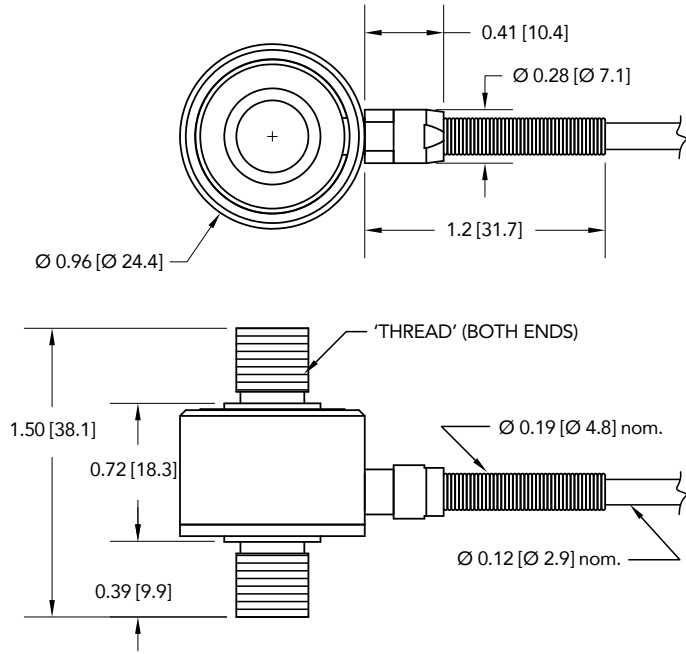
- Miniature size
- Fast response and low deflection
- Robust cable strain relief
- For use in both tension and compression

- Non-loading surface, do not contact
- Active End



| SPECIFICATIONS | |
|-----------------------------|--|
| PERFORMANCE | |
| Nonlinearity | ±0.5% of RO |
| Hysteresis | ±0.5% of RO |
| Nonrepeatability | ±0.1% of RO |
| ELECTRICAL | |
| Rated Output (RO) | 1.3 mV/V (2 klb) 2 mV/V (3 klb) |
| Excitation (VDC or VAC) | 18 max |
| Bridge Resistance | 350 Ohm nom |
| Insulation Resistance | ≥500 MOhm @ 50 VDC |
| Connection | #28 AWG, 4 conductor, braided shielded PVC cable, 10 ft [3 m] long |
| Wiring/Connector Code | WC1 |
| MECHANICAL | |
| Weight (approximate) | 4 oz [113 g] |
| Weight (minus cable) | 1.8 oz [51 g] |
| Safe Overload | 150% of RO |
| Deflection | 0.001 in [0.05 mm] nom |
| Material (flexure) | 17-4 PH stainless-steel |
| IP Rating | IP64 |
| TEMPERATURE | |
| Operating Temperature | -45 to 200°F (-42 to 93°C) |
| Compensated Temperature | 60 to 160°F (15 to 72°C) |
| Temperature Shift Zero | ±0.005% of RO/°F (0.01% of RO/°C) |
| Temperature Shift Span | ±0.02% of Load/°F (0.036% of Load/°C) |
| CALIBRATION | |
| Calibration Test Excitation | 10 VDC |
| Calibration (standard) | 5-pt Tension |
| Calibration (available) | Compression |
| Shunt Calibration Value | 100 kOhm (2 klb), 60.4 kOhm (3 klb) |
| Conformity | |
| RoHS | 2011/65/EU |
| CE | EN55011:2009; EN61326-1:2006 |

DIMENSIONS inches [mm]



WIRING CODE (WC1)

| | |
|--------|--------------|
| RED | + EXCITATION |
| BLACK | - EXCITATION |
| GREEN | + SIGNAL |
| WHITE | - SIGNAL |
| SHIELD | FLOATING |

CAPACITIES

| ITEM # | klb | kN | Thread | Natural Frequency (kHz) |
|----------|-----|------|---------|-------------------------|
| FSH04009 | 2 | 8.9 | 3/8-24 | 18 |
| FSH04008 | 2 | 8.9 | M10x1.5 | 18 |
| FSH04006 | 3 | 13.3 | 3/8-24 | 18 |
| FSH04007 | 3 | 13.3 | M10x1.5 | 18 |



SCIENCE GATE
Your Automation Partner

SCIGATE AUTOMATION (S) PTE LTD
No.1 Bukit Batok Street 22 #01-01 Singapore 659592
Tel: (65) 6561 0488 Fax: (65) 6562 0588
Email: sales@scigate.com.sg Web: www.scigate.com.sg
Business Hours: Monday - Friday 8.30am - 6.15pm

Drawing Number: FI1399

FUTEK reserves the right to modify its design and specifications without notice. Please visit www.futek.com/salesterms for complete terms and conditions.

10 Thomas, Irvine, CA 92618 USA

Tel: (949) 465-0900
Fax: (949) 465-0905

www.futek.com



RoHS



U.S. Manufacturer