

FUTEK MODEL LCB400 (L1658) ROD END TENSION AND COMPRESSION LOAD CELL

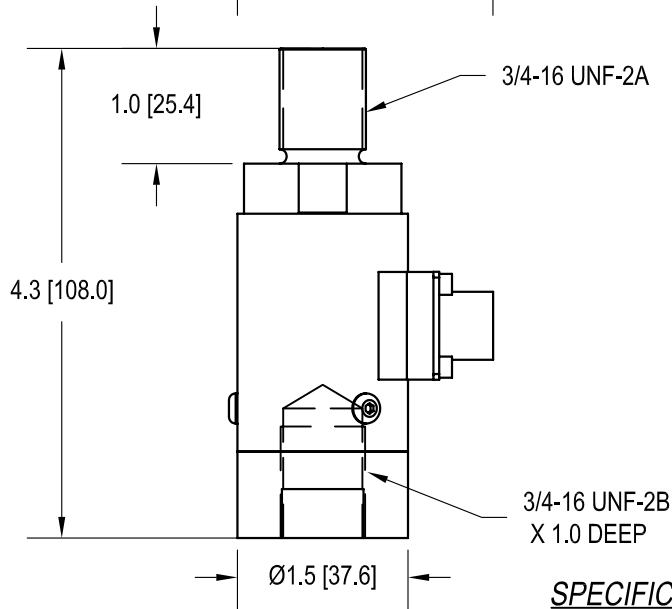
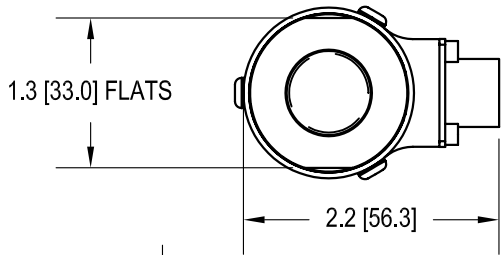
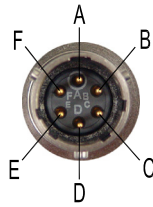
* DIRECT REPLACEMENT FOR GSE MODEL 5411

Drawing Number: FI1065

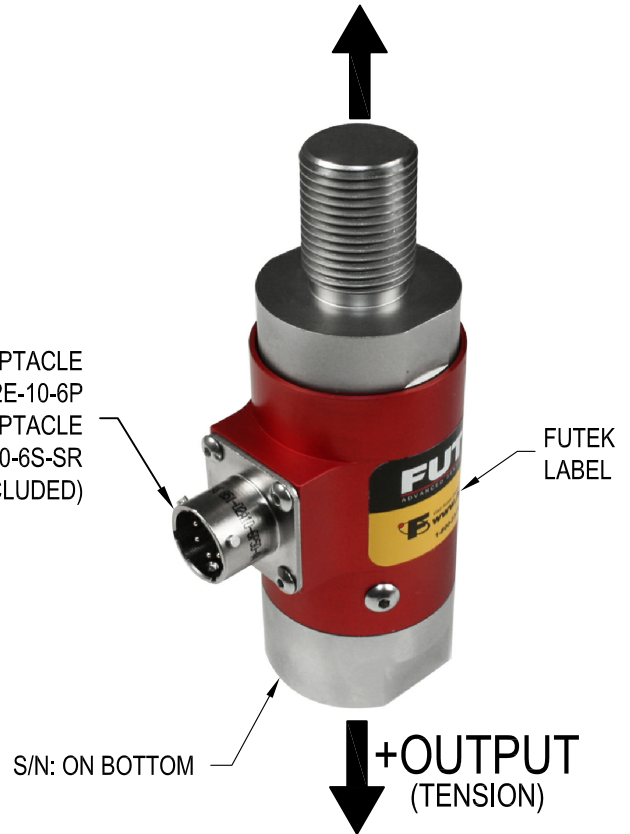
INCH [mm] | R.O.= Rated Output

WIRING CODE (CC1)

+Excitation	-Excitation	+Signal	-Signal
RED PIN 'A'	BLACK PIN 'B'	GREEN PIN 'C'	WHITE PIN 'D'
+Sense	-Sense		
ORANGE PIN 'E'	BLUE PIN 'F'		



BENDIX RECEPTACLE
PT02E-10-6P
*MATING RECEPTACLE
PT06A-10-6S-SR
(NOT INCLUDED)



S/N: ON BOTTOM

SCIGATE AUTOMATION (S) PTE LTD
 No. 1 Bukit Batok Street 22 #01-01 Singapore 659592
 Tel: (65) 6561 0488 Fax: (65) 6562 0588
 Email: sales@scigate.com.sg Web: www.scigate.com.sg
 Business Hours: Monday - Friday 8.30am - 6.15pm

SPECIFICATIONS:

RATED OUTPUT	2 mV/V nom.
SAFE OVERLOAD	150% of R.O.
ZERO BALANCE	±3% of R.O.
EXCITATION (VDC OR VAC)	18 MAX
BRIDGE RESISTANCE	350 Ω nom.
NONLINEARITY	±0.5% of R.O.
HYSTERESIS	±0.5% of R.O.
NONREPEATABILITY	±0.1% of R.O.
TEMP. SHIFT ZERO	±0.005% of R.O./°F [0.01% of R.O./°C]
TEMP. SHIFT SPAN	±0.01% of LOAD/°F [0.018% of LOAD/°C]
COMPENSATED TEMP.	60 to 160°F [15 to 72°C]
OPERATING TEMP.	-60 to 200°F [-50 to 93°C]
WEIGHT (1-2 Klb)	7 oz [195 g]
WEIGHT (3-10 Klb)	17 oz [481 g]
MATERIAL (FLEXURE) 1-2 Klb	2024-T4
MATERIAL (FLEXURE) 3-10 Klb	17-4PH S.S.
DEFLECTION	0.001 [0.03] nom.
CONNECTOR: BENDIX 6 Pin Receptacle (PT02E-10-6P)	
ACCESSORIES AND RELATED INSTRUMENTS AVAILABLE	
CALIBRATION (STD)	5 pt. TENSION; 60.4 KΩ SHUNT CAL. VALUE
CALIBRATION (AVAILABLE)	COMPRESSION
CALIBRATION TEST EXCITATION	10 VDC

ITEM #	CAPACITIES	
	lb	N
FSH00698	1K	4448
FSH00700	2K	8896
FSH00701	3K	13344
FSH00703	5K	22240
FSH00704	10K	44480



This drawing is submitted solely for the information and exclusive use of the original addressee. It is not to be divulged in whole or in part, by any firm or individual without written permission from FUTEK

CAGE CODE # 1X8M6

10 THOMAS
IRVINE, CA 92618 USA
1-800-23-FUTEK (38835)

INTERNET:
<http://www.futek.com>