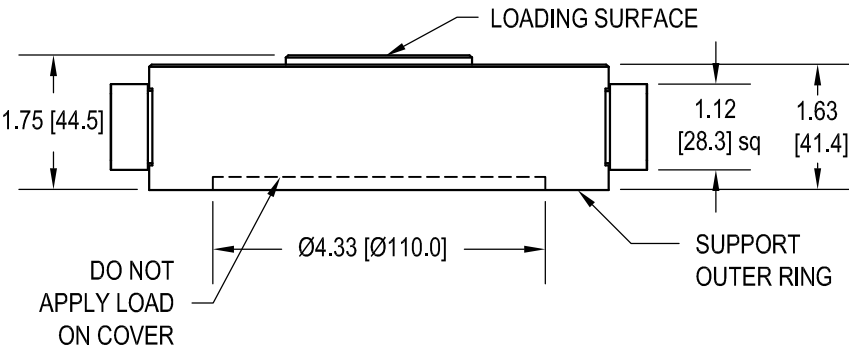
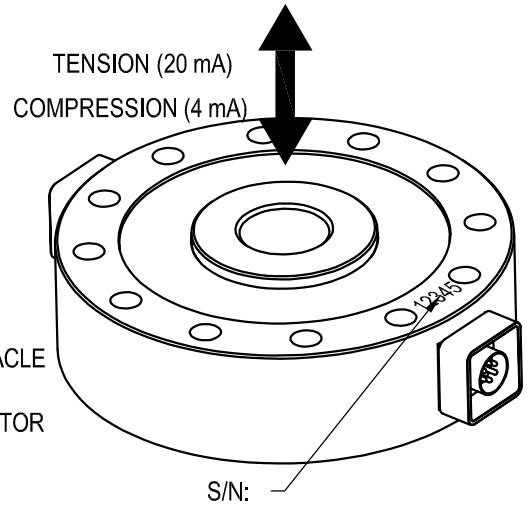
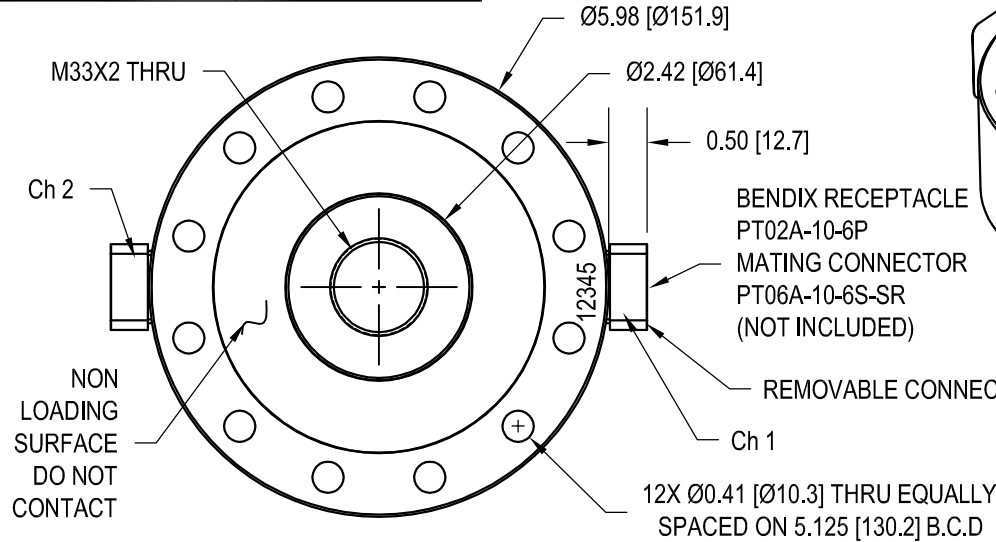


FUTEK MODEL LCF500

LOW PROFILE UNIVERSAL PANCAKE LOAD CELL, DUAL BRIDGE, AMPLIFIED OUTPUT

ITEM NUMBER: QSH01355

INCH [mm]		R.O.= Rated Output	
CONNECTOR CODE			
Power Supply (+)	Ground (-)	Current Output (+)	Ground (-)
PIN 'A'	PIN 'B'	PIN 'C'	PIN 'D'



SPECIFICATIONS:

RATED OUTPUT	12 ±8 mA
CAPACITY	CH1 10 Klb (44.5 kN), CH2 50 Klb (222 kN)
SAFE OVERLOAD	75 Klb [334 kN]
EXCITATION	▲ 12-24 VDC
NONLINEARITY	±0.25% of R.O.
HYSTERESIS	±0.2% of R.O.
NONREPEATABILITY	±0.02% of R.O.
CREEP	±0.02% of LOAD
TEMP. SHIFT ZERO	±0.003% of R.O./°F [0.005% of R.O./°C]
TEMP. SHIFT SPAN	±0.005% of LOAD/°F [0.009% of LOAD/°C]
COMPENSATED TEMP.	60 to 160°F [15 to 72°C]
OPERATING TEMP.	-40 to 185°F [-40 to 85°C]
MATERIAL	17-4PH S.S.
WEIGHT	9 lb [4.1 kg]
2X CONNECTOR: 6 Pin BENDIX Receptacle (PT02A-10-6P)	

SCIGATE AUTOMATION (S) PTE LTD
 No.1 Bukit Batok Street 22 #01-01 Singapore 659592
 Tel: (65) 6561 0488 Fax: (65) 6562 0588
 Email: sales@scigate.com.sg Web: www.scigate.com.sg
 Business Hours: Monday - Friday 8.30am - 6.15pm

CUSTOMER APPROVAL-COMPANY
CUSTOMER APPROVAL-NAME /DATE
REVISIONS: (Refer to dwg # revision sheet)
▲ 10-30-12

OUTLINE DRAWING

STANDARD NOTES: (Unless Otherwise Specified)

- ALL DIMENSIONS ARE IN INCHES
- DRAWING INTERPRETATION DIMS. PER ASME-Y14.5M
- REMOVE BURRS AND BREAK SHARP EDGES .005 - .015
- THREADS PER HANDBOOK H-28
- DIMENSIONS ARE SHOWN AFTER PLATING

ANGLE: ±1/2°
CHAMFER: ±5°
TOLERANCE:
 .X ±0.1
 .XX ±0.01
 .XXX ±0.005

3rd ANGLE PROJ.

This drawing is submitted solely for the information and exclusive use of the original addressee. It is not to be divulged in whole or in part, by any firm or individual without written permission from:

FUTEK

ADVANCED SENSOR TECHNOLOGY, INC.
 10 THOMAS
 IRVINE, CA 92618 USA
 Phone: (949) 465-0900
 Fax: (949) 465-0905

CAGE: 1X8M6	MODEL: LCF500	DWG No.: F01335-A
DRAWN BY: R. WALKER	CHECKED BY: J. VARGAS	DATE: Oct 24, 2012
APPROVED BY: -		