

# FUTEK MODEL LCM200

## ULTRA LIGHT MINIATURE UNIVERSAL THREADED LOAD CELL

Drawing Number: FI1064-B

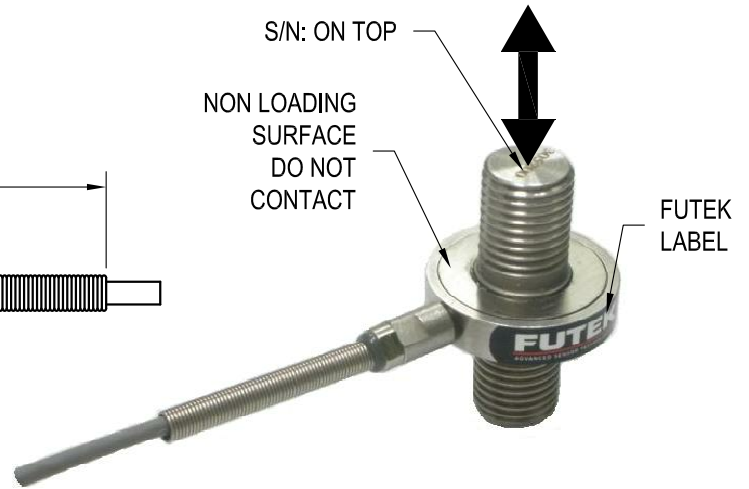
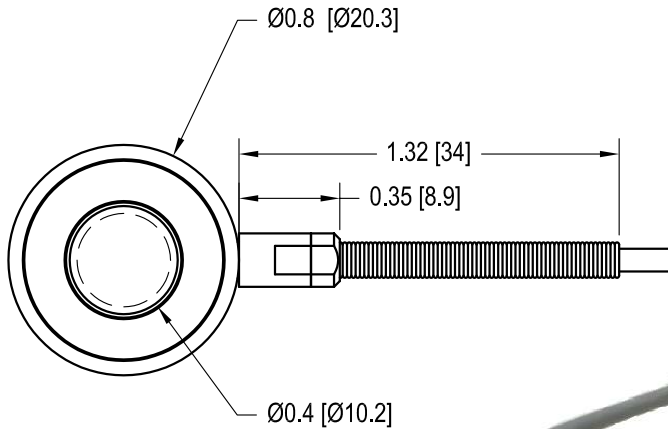
INCH [mm] | R.O.= Rated Output

WIRING CODE (WC1)

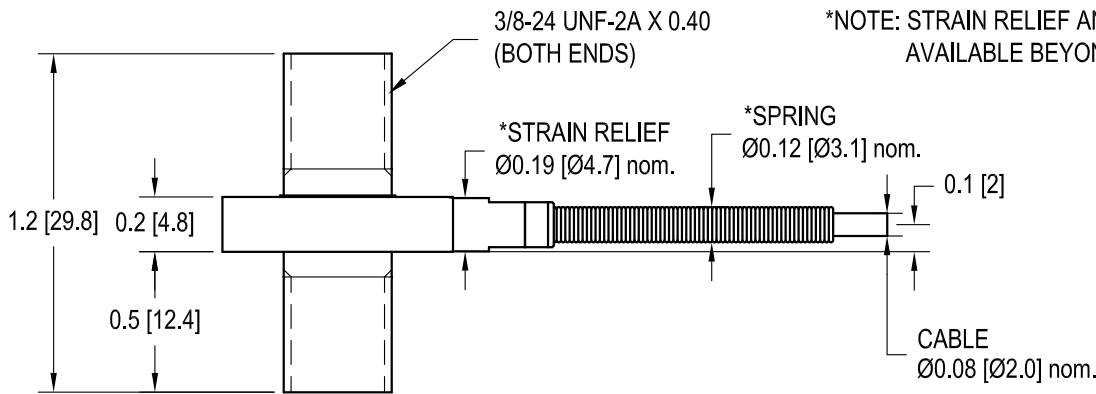
+Excitation	-Excitation	+Signal	-Signal
RED	BLACK	GREEN	WHITE

Shield  
FLOATING

**+OUTPUT**  
(TENSION)  
**-OUTPUT**  
(COMPRESSION)



\*NOTE: STRAIN RELIEF AND SPRING ONLY AVAILABLE BEYOND S/N: 305196



ITEM #	CAPACITIES	
	lb	N
FSH01934	250	1112
FSH01933	500	2224
FSH01932	1000	4448

### SPECIFICATIONS:

RATED OUTPUT	1 mV/V nom (250 lb); 2 mV/V nom.
SAFE OVERLOAD	150% of R.O.
ZERO BALANCE	±3% of R.O.
EXCITATION (VDC OR VAC)	15 MAX
BRIDGE RESISTANCE	350 Ω nom.
NONLINEARITY	±0.5% of R.O.
HYSTERESIS	±0.5% of R.O.
NONREPEATABILITY	±0.1% of R.O.
TEMP. SHIFT ZERO	±0.01% of R.O./°F [0.018% of R.O./°C]
TEMP. SHIFT SPAN	±0.02% of LOAD/°F [0.036% of LOAD/°C]
COMPENSATED TEMP.	60 to 250°F [15 to 121°C]
OPERATING TEMP.	-60 to 285°F [-50 to 140°C]
WEIGHT	0.6 oz [17 g]
MATERIAL	17-4PH S.S.**
DEFLECTION	0.002 [0.05] nom.
CABLE: #29 AWG, 4 Conductor, Spiral Shielded Teflon Cable 10 ft [3 m] Long	
ACCESSORIES AND RELATED INSTRUMENTS AVAILABLE	
CALIBRATION (STD)	5 pt. TENSION; 60.4 KΩ SHUNT CAL. VALUE 100 KΩ FOR 250 lb SHUNT CAL. VALUE
CALIBRATION (AVAILABLE)	COMPRESSION
CALIBRATION TEST EXCITATION	10 VDC



SCIGATE AUTOMATION (S) PTE LTD

No.1 Bukit Batok Street 22 #01-01 Singapore 659592  
Tel: (65) 6561 0488 Fax: (65) 6562 0588  
Email: sales@scigate.com.sg Web: www.scigate.com.sg  
Business Hours: Monday - Friday 8.30am - 6.15pm

**FUTEK**  
ADVANCED SENSOR TECHNOLOGY, INC.

This drawing is submitted solely for the information and exclusive use of the original addressee. It is not to be divulged in whole or in part, by any firm or individual without written permission from FUTEK

10 THOMAS  
IRVINE, CA 92618 USA  
1-800-23-FUTEK (38835)

INTERNET:  
<http://www.futek.com>