

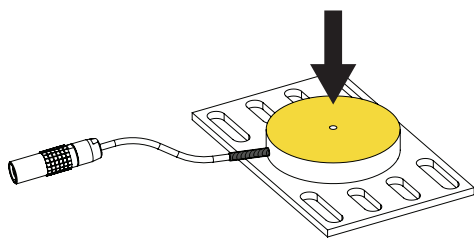


FEATURES

- Ideal for Automotive Applications involving accelerator or clutch testing
- Ideal for Aerospace Applications involving pedal force testing
- Strain Gauge Based
- Low Profile Height
- Removable Mounting Plate

 Active end

+ Output (compression)



SPECIFICATIONS

PERFORMANCE

Nonlinearity	±0.2% of RO
Hysteresis	±0.2% of RO
Nonrepeatability	±0.2% of RO
Off Center Loading	±3-4% or better @ 0.625 in [15.9 mm] from center

ELECTRICAL

Rated Output (RO)	2 mV/V nom
Excitation (VDC or VAC)	20 max
Bridge Resistance	700 Ohm nom
Insulation Resistance	≥500 MOhm @ 50 VDC
Connection	#29 AWG, 4 conductor, spiral shielded Teflon cable 12 in [0.3 m] long with 4 pin LEMO receptacle (PHG.0B.304.CLLD)

Wiring Code CC4

MECHANICAL

Weight	6 oz (170 g)
Safe Overload	150% of RO
Material	17-4 PH stainless-steel
IP Rating	IP64

TEMPERATURE

Operating Temperature	-60 to 200°F [-50 to 93°C]
Compensated Temperature	60 to 160°F [15 to 72°C]
Temperature Shift Zero	±0.01% of RO/°F [0.018% of RO/°C]
Temperature Shift Span	±0.01% of Load/°F [0.018% of Load/°C]

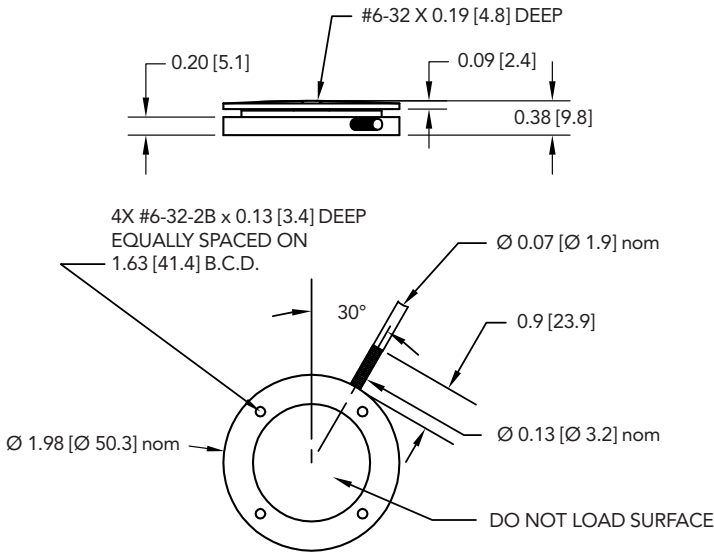
CALIBRATION

Calibration Test Excitation	10 VDC
Calibration (standard)	5-pt compression
Shunt Calibration Value	100 kOhm




SCIGATE AUTOMATION (S) PTE LTD
 No.1 Bukit Batok Street 22 #01-01 Singapore 659592
 Tel: (65) 6561 0488 Fax: (65) 6562 0588
 Email: sales@scigate.com.sg Web: www.scigate.com.sg
 Business Hours: Monday - Friday 8.30am - 6.15pm

DIMENSIONS inches [mm]

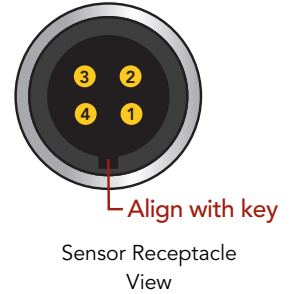


CAPACITIES

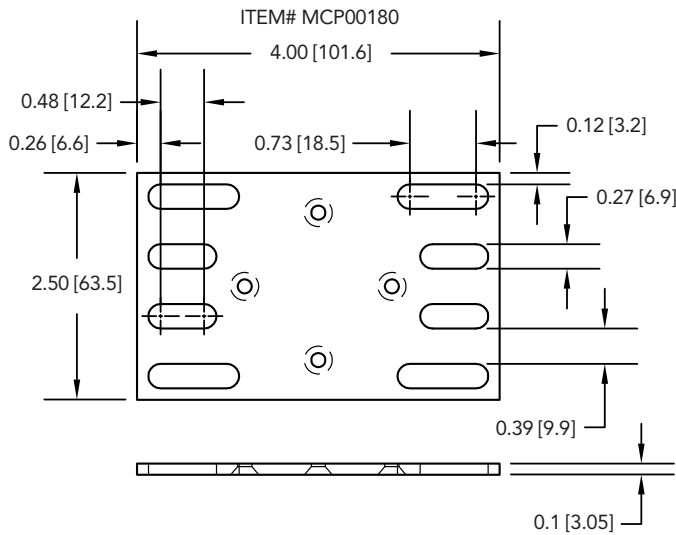
ITEM #	lb	N	Deflection (in)	Natural Frequency (Hz)
FSH04404	100	445	0.002	1800
FSH04405	300	1334	0.005	2300

LEMO 4-PIN (CC4)

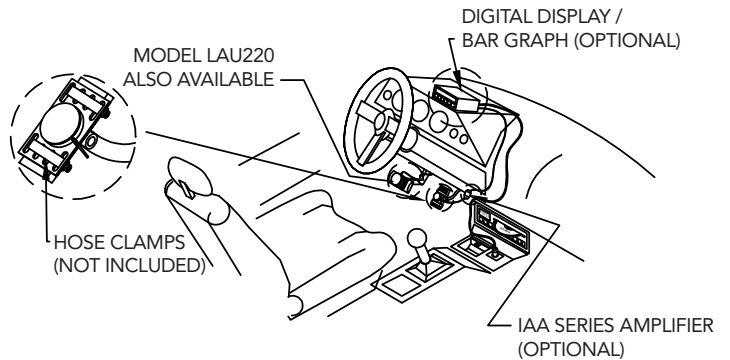
PIN	COLOR	DESCRIPTION
1	Red	+ Excitation
2	Green	+ Signal
3	White	- Signal
4	Black	- Excitation



MOUNTING PLATE (ALUMINUM, RED ANODIZED)



TYPICAL APPLICATION



Model LAU200 includes (one of each) Total Weight 2 lb [0.9 kg] { Mounting Plate Item# MCP002180 100 kohm shunt cal. Carrying case and Item#FSH01790 (mating connector and 15 ft cable)

Drawing Number: FI1482

FUTEK reserves the right to modify its design and specifications without notice. Please visit www.futek.com/salesterms for complete terms and conditions.

10 Thomas, Irvine, CA 92618 USA

Tel: (949) 465-0900

Fax: (949) 465-0905

www.futek.com



U.S. Manufacturer