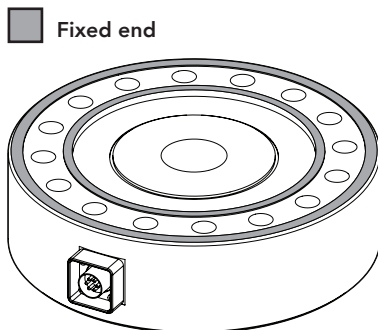
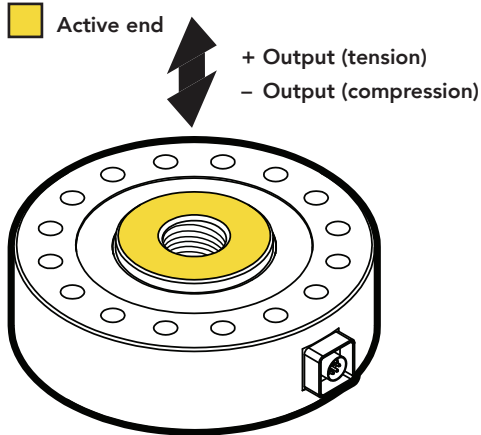




FEATURES

- Low profile design
- 17-4 stainless-steel construction
- For use in both tension and compression
- Utilizes metal foil strain gauge technology



SPECIFICATIONS

PERFORMANCE

| | |
|------------------|--------------|
| Nonlinearity | ±0.2% of RO |
| Hysteresis | ±0.2% of RO |
| Nonrepeatability | ±0.02% of RO |

ELECTRICAL

| | |
|-------------------------|---------------------------------------|
| Rated Output (RO) | 4 mV/V nom |
| Excitation (VDC or VAC) | 20 max |
| Bridge Resistance | 350 Ohm nom |
| Insulation Resistance | ≥500 MOhm @ 50 VDC |
| Connection | 6 Pin BENDIX Receptacle (PT02E-10-6P) |
| Connector Code | CC1 |

MECHANICAL

| | |
|----------------------|-------------------------|
| Weight (approximate) | 25 lb [11.3 kg] |
| Safe Overload | 150% of RO |
| Deflection | 0.002 in [0.05 mm] nom |
| Material | 17-4 PH stainless-steel |
| IP Rating | IP64 |

TEMPERATURE

| | |
|-------------------------|---|
| Operating Temperature | -60 to 200°F [-50 to 93°C] |
| Compensated Temperature | 60 to 160°F [15 to 72°C] |
| Temperature Shift Zero | ±0.001% of RO/°F [0.0018% of RO/°C] |
| Temperature Shift Span | ±0.002% of Load/°F [0.0036% of Load/°C] |

CALIBRATION

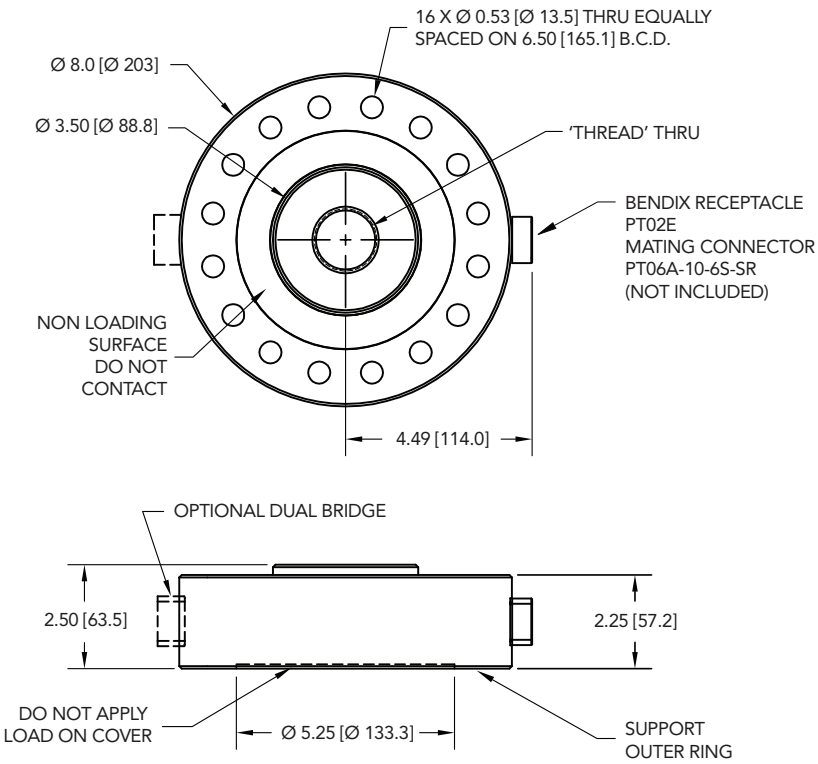
| | |
|-----------------------------|------------------|
| Calibration Test Excitation | 10 VDC |
| Calibration (standard) | 5-pt compression |
| Shunt Calibration Value | 30 kOhm |



SCIGATE AUTOMATION (S) PTE LTD

No. 1 Bukit Batok Street 22 #01-01 Singapore 659592
 Tel: (65) 6561 0488 Fax: (65) 6562 0588
 Email: sales@scigate.com.sg Web: www.scigate.com.sg
 Business Hours: Monday - Friday 8.30am - 6.15pm

DIMENSIONS inches [mm]

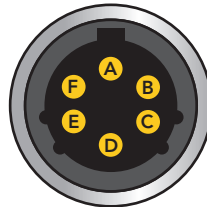


CAPACITIES

| ITEM # | lb | N | Natural Frequency (Hz) | Thread |
|----------|--------|--------|------------------------|-------------|
| FSH04148 | 100000 | 444800 | 8300 | 1 3/4-12-2B |

BENDIX 6-PIN (CC1)

| PIN | COLOR | DESCRIPTION |
|-----|--------|--------------|
| A | Red | + Excitation |
| B | Black | - Excitation |
| C | Green | + Signal |
| D | White | - Signal |
| E | Orange | + Sense |
| F | Blue | - Sense |



Sensor Receptacle View

Drawing Number: F11454

FUTEK reserves the right to modify its design and specifications without notice. Please visit www.futek.com/salesterms for complete terms and conditions.

10 Thomas, Irvine, CA 92618 USA

Tel: (949) 465-0900

Fax: (949) 465-0905

www.futek.com



U.S. Manufacturer