



The Complete Solution

Fairford's fully digital CFE Soft Starters are the simplest and most economic way of starting your three phase induction motors. They have automatic set-up features selectable by changing a 10 way application profile selector switch.

The CFE has all the features of the MFE range but comes as a complete starter in an IP55 rugged box for new installations or direct replacement of Star/Delta and DOL starters



Main Features

Auto Set Up with 10 pre-programmed Soft Starting Profiles.

✓ Quick and Easy set up by simply selecting your application.

Simple Wiring.

✓ Easy to install with just 3 wires in 3 wires out.

Fully Digital Microprocessor Control.

✓ Reliable and Long Life.

Adjustable Over Current 'Shear Pin' protection.

✓ Significantly reduces the maintenance time in comparison to mechanical 'Shear Pin' reducing down time and cost.

Fit and Forget.

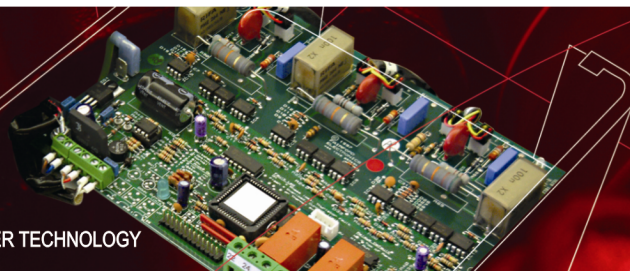
✓ Low cost of ownership.

Complete Solution.

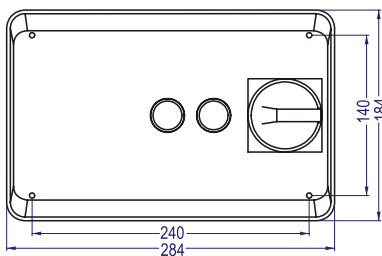
Included with the complete starter is:

- ✓
 - MFE Soft Starter
 - IP55 Enclosure
 - Start/Stop Button
 - Isolator
 - Main Contactor
 - Bypass Contactor
 - Adjustable Thermal Overload

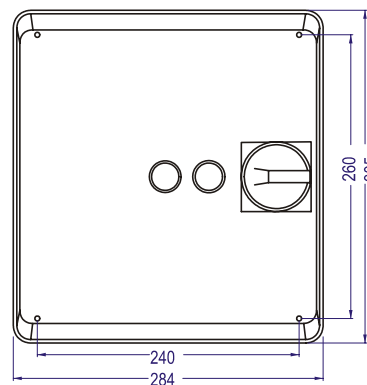
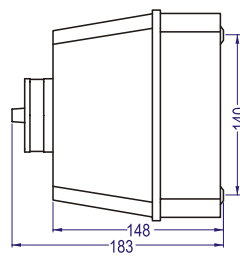
Model (IP20)	Current (I)	Motor kW (400V)	Motor HP (460V)
CFE-5	5	2.2	3
CFE-9	9	4	6
CFE-16	16	7.5	10
CFE-23	23	11	15
CFE-30	30	15	20
CFE-44	44	22	30



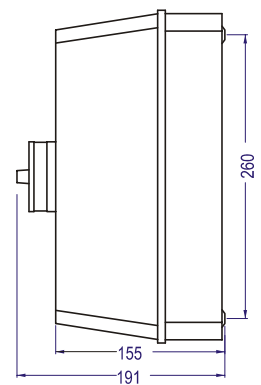
Operational Voltage (Ue)	400 VAC (-15% to +10%) 3 Phase
Frequency	50/60 Hz +/- 2Hz
Start Duty	4 x FLC for 6 Seconds 3 x FLC for 12 Seconds 2 x FLC for 26 Seconds
Application Selector	10 Position rotary Switch 0 = Standard 1 = High Torque 2 = Pump 3 = Pump Kick Start 4 = Light Conveyor 5 = Heavy Conveyor 6 = Low Inertia Fan 7 = High Inertia Fan 8 = Recip. Compressor 9 = Screw Compressor
Start Time	1 to 15 Seconds
Stop Time	0 to 15 Seconds
Starts Per Hour	3 with Starting interval of 20 Min.
Ingress Protection	IP55
Ambient temperature	0°C to Max 40°C.
Transport and Storage	-25°C to +60°C (continuous), -25°C to +75°C (not exceeding 24 hours).
Altitude	Above 1000m de-rate linearly by 1% of unit FLC per 100m to a maximum altitude of 2000m.
Humidity	max. 85% non-condensing, not exceeding 50% at 40°C.
Design standards and Approvals	IEC 60947-4-2; EN 60947-4-2 'AC Semiconductor Motor Controllers and Starters'.



Size 1



Size 2



Please Note:
All dimensions in mm

Whilst every effort has been made to ensure that the information provided in this document is accurate actual data and images may change. Fairford Electronics does not accept liability for errors. No warranty, express or implied, is given that the information provided in this document is error free.

SD0027401