

MFE

Fully Digital Soft Starters, IP20 or IP43

Fairford's fully digital non-energy optimising MFE Soft Starters are the simplest and most economic way of starting your three phase induction motors. They have automatic set-up features selectable by changing a 10 way application profile selector switch.

The MFE offers easy-to-use technology suitable for a wide variety of applications and is available in IP-20 and IP-43. IP-43 is ideal for retrofit and 'splashproof' applications such as food manufacturing or where you have an existing DOL starter or an existing Star/Delta starter to replace.



Main Features

Auto Set Up with 10 pre-programmed Soft Starting Profiles.

✓ Quick and Easy set up by simply selecting your application.

Simple Wiring.

✓ Easy to install with just 3 wires in 3 wires out.

Fully Digital Microprocessor Control.

✓ Reliable and Long Life.

Adjustable Over Current 'Shear Pin' protection.

✓ Significantly reduces the maintenance time in comparison to mechanical 'Shear Pin' reducing down time and cost.

Fit and Forget.

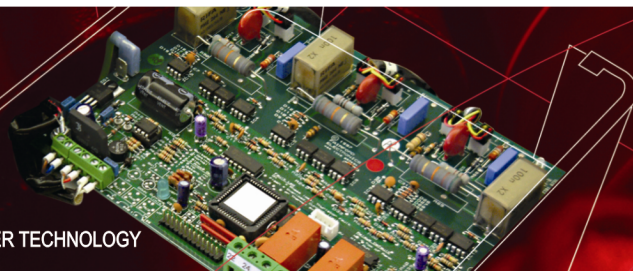
✓ Low cost of ownership.

IP20 or IP43.

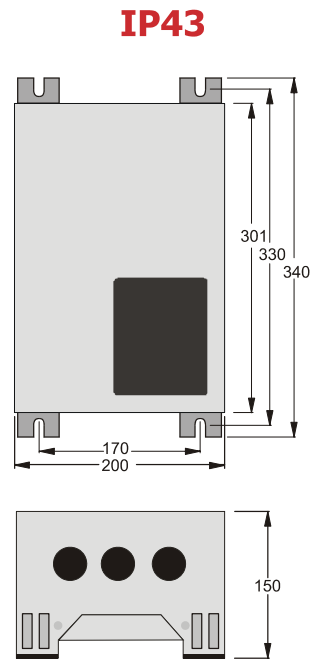
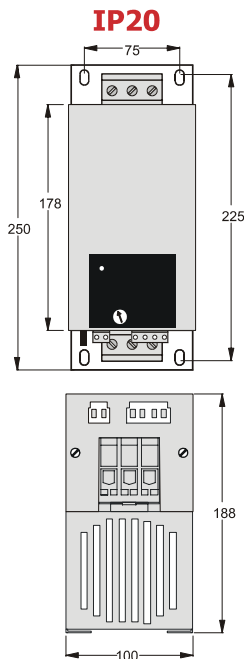
✓ Multiple application options and simple fitting reduces cost and maintenance.

Model (IP20)	Current (I)	Motor kW (400V)	Motor HP (460V)
MFE-5	5	2.2	3
MFE-9	9	4	6
MFE-16	16	7.5	10
MFE-23	23	11	15
MFE-30	30	15	20
MFE-44	44	22	30
MFE-58	58	30	42
MFE-72	72	37	54
MFE-90	90	45	60

Model (IP43)	Current (I)	Motor kW (400V)	Motor HP (460V)
MFE-23	23	11	15
MFE-30	30	15	20
MFE-44	44	22	30
MFE-59	59	30	42
MFE-72	72	37	54



Operational Voltage (Ue)	400 – 460 VAC or 230 VAC (-15% to +10%) 3 Phase	
Frequency	50/60 Hz +/- 2Hz	
Start Duty	5 x FLC for 4 Seconds 4 x FLC for 6 Seconds 3 x FLC for 12 Seconds 2 x FLC for 26 Seconds	
Application Selector with 10 position rotary switch	0 = Standard	5 = Heavy Conveyor
	1 = High Torque	6 = Low Inertia Fan
	2 = Pump	7 = High Inertia Fan
	3 = Pump Kick Start	8 = Recip. Compressor
	4 = Light Conveyor	9 = Screw Compressor
Start Time	1 to 15 Seconds	
Stop Time	0 to 15 Seconds	
Starts Per Hour	10	
Ingress Protection	IP20 or IP43	
Ambient temperature	0°C to 40°C. Above 40°C de-rate linearly by 2% of unit FLC per °C to a maximum of 40% at 60°C.	
Transport and Storage	-25°C to +60°C (continuous), -25°C to +75°C (not exceeding 24 hours).	
Altitude	Above 1000m de-rate linearly by 1% of unit FLC per 100m to a maximum altitude of 2000m.	
Humidity	max. 85% non-condensing, not exceeding 50% at 40°C.	
Design standards and Approvals	IEC 60947-4-2; EN 60947-4-2 'AC Semiconductor Motor Controllers and Starters'.	



Please Note:
All dimensions in mm

Whilst every effort has been made to ensure that the information provided in this document is accurate actual data and images may change. Fairford Electronics does not accept liability for errors. No warranty, express or implied, is given that the information provided in this document is error free.

SD005005