

Application



LD30-S001



LD30-S011

The general purpose external pressure level transmitter is offered in two styles of termination and provides continuous level measurement up to 69' (21m) of water column with a 4-20 mA signal output. Select the -S_01 level sensor for cable termination or the -S_11 level sensor for conduit termination with an integral junction box. This liquid level sensor is well suited for clean liquid or gas media. Applications include cutting oil and air.



Features

- ✓ Corrosion resistant 316 SS transducer with threaded mount
- ✓ Available with polyurethane cable or junction box termination
- ✓ Automatic temperature compensation for accurate measurement

Key Benefits

- ✓ Ideal for applications with heavy foam, vapors & air
- ✓ Connects directly to PLC/SCADA or display
- ✓ Great for existing lower entry ports
- ✓ 4-20 mA signal output
- ✓ Pressure is not affected by specific gravity or liquid

Compatible Products

DataLoop™
Level Indicator



LI25

DataView™
Level Controller



LI55

Commander™
Multi-Tank Level Controller



LI90

DataPoint™
Level Controller

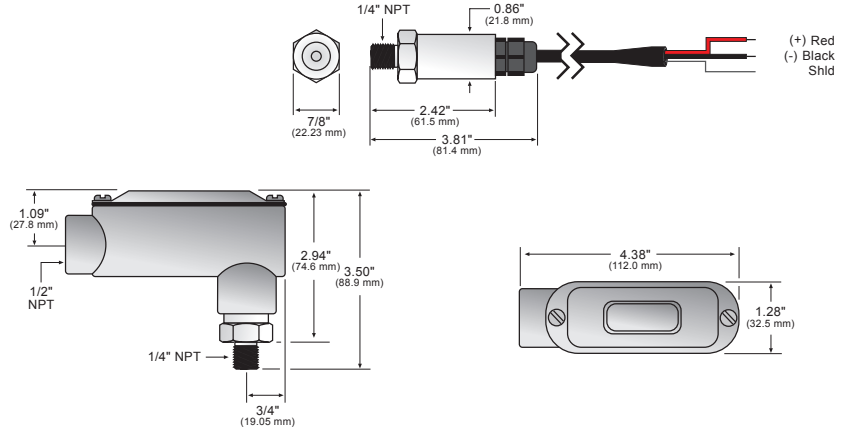


LC52

Specifications

- Range:
- S0X1: 0 to 5 psi (0.34 bar),
0 to 11' (0 to 3.4m) wc
 - S2X1: 0 to 15 psi (1 bar),
0 to 34' (0 to 10.4m) wc
 - S4X1: 0 to 30 psi (2 bar),
0 to 69' (0 to 21.1m) wc
- Accuracy: ± 0.25% of full scale
- Configuration: None, fixed span
- Supply voltage: 13-30 VDC
- Loop resist.: 1300 Ohms max @ 30 VDC
- Signal output: 4-20 mA, two-wire
- Process temp.:
- F: 0° to 200°
 - C: -18° to 93°
- Temp. comp.:
- F: 0° to 175°
 - C: -18 to 79°
- Proof pressure: 2 x full span
- Response time: 50ms
- Weight: 10 oz (283 g)
- Enclosure rating: NEMA 4X (IP65)
- Enclosure mat.: 316 SS
- Termination:
- SX01: Cable
 - SX11: Junction box
with 1/2" NPT conduit
- Cable type: -SX01: 2-cond., shielded
- Cable length: -SX01: 9' (2.7m)
- Cable material: -SX01: Polyurethane
- Process mount: 1/4" NPT
- Trans. material: 316 SS
- Classification: General purpose
- Compliance: CE

Dimensions



Accessories

For enhanced flexibility and performance, use the recommended power supply.



P/N	Description
LC95-1001	AC-DC Sensor & Indicator Power Supply 100-240 VAC, 24 VDC @ 0.60A, 35mm Rail

Ordering

LD30-S 1

Sensor range

- 0 5 psi (0.34 bar) / 11' (3.4m) wc
- 2 15 psi (1.0 bar) / 34' (10.4m) wc
- 4 30 psi (2.0 bar) / 69' (21.1m) wc

Termination (1)

- 0 Cable
- 1 Junction box

Notes

- 1) For level sensor power, order the LC95-1001 AC-DC power supply.