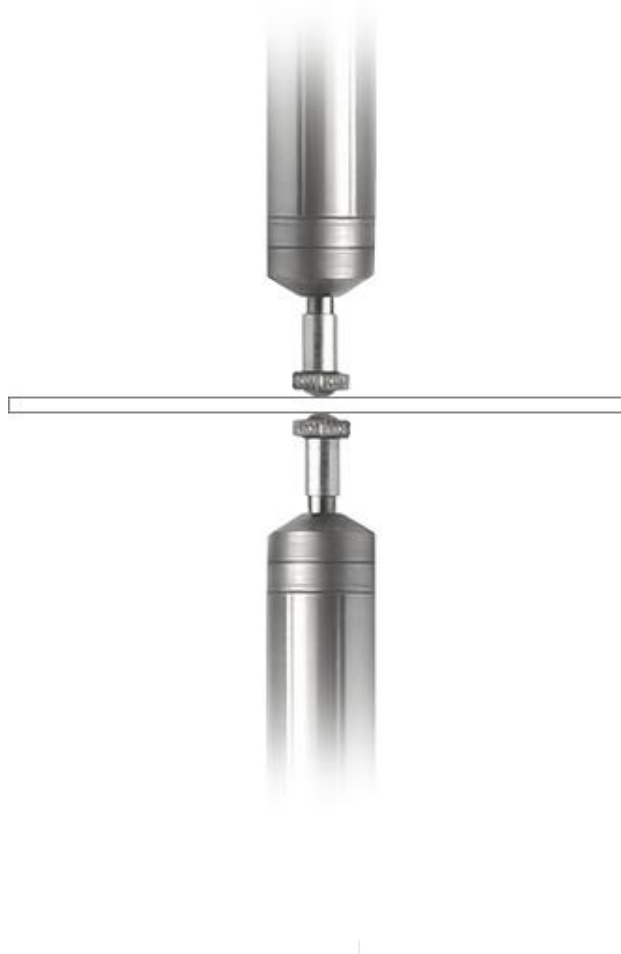


## Measurement of Thin Glass – 1 mm

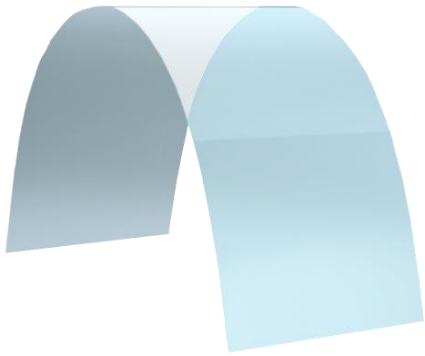


## The Product

The Ultra Feather Touch probe is a sensor with the industry's lightest tip force: 0.03 – 0.06 N (3-6 grams). Available in spring and pneumatic versions, it is a viable alternative to a non-contact sensor. With various tips available in ruby and nylon, the UFT is already being used to check rubber, semi-conductor wafers and other delicate materials.



*Range: 10 mm – Accuracy: Up to 0.06% of reading. – Resolution: Up to 0.1 μm – Repeatability: Up to 0.015 μm*



## The Challenge

Due to the explosion in touch screens for smartphones, computers and other displays, glass technology is rapidly evolving, with a higher demand for thinner, stronger materials that could be flat or curved.

The delicate nature of these products demands a quick, accurate measurement solution that won't damage or affect the integrity of the glass surface.

## The Solution

With its ultra low tip force, the Ultra Feather Touch probe provides excellent accuracy and repeatability for measuring a thin piece of glass. In this application, two Ultra feather touch probes with nylon tips are deployed to check the thickness of 1 mm thick glass, with no damage to the surface.

More contact points can also be added to measure the flatness and generate the profile of the glass surface. Compared to non contact sensors, these probes offer considerable cost savings, with a much easier setup. Also, as part of the Orbit<sup>®</sup> measurement system, these probes can be networked to a PLC or PC.



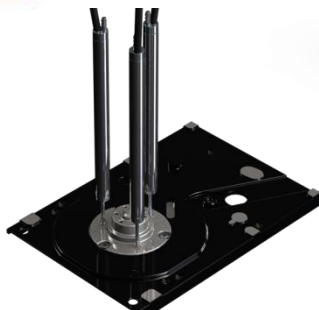
# Other Applications for Ultra Feather Touch Probe



*UFT checking  
semi-conductor  
wafer*



*UFT checking a  
cell phone  
screen*



*UFT checking  
Hard Disk Drive  
casing*

## United Kingdom - Head Office

Solartron Metrology  
Steyning Way  
Bognor Regis  
West Sussex  
PO22 9ST  
Tel: +44 (0) 1243 833333  
Fax: +44 (0) 1243 833322  
Sales.solartronmetrology@ametek.com

## France

Solartron Metrology  
Rond-point de l'Espine des Champs  
Buroplus - Bat. D  
Elancourt 78990  
Tel: +33 (0)1 30 68 89 50  
Fax: +33 (0)1 30 68 89 59  
france.solartronmetrology@ametek.com

## Germany

Ametek GmbH  
Solartron Metrology Division  
Rudolf-Diesel-Strasse 16  
40670 Meerbusch  
Tel: +49 (0) 2159 9136 500  
Fax: +49 (0) 2159 9136 505  
vertrieb.solartron@ametek.de

## Brazil

Ametek do Brasil, Ltda  
Rod. Eng Ermenio de Oliveira Penteado, Km 57, SP75  
Bairro Tombadouro  
13337-300, Indaiatuba, SP, Brazil  
Tel: +55 19 2107 4126

## India

Ametek Instruments India Private Limited  
1st Floor, Left Wing  
Prestige Featherlite Tech Park  
Plot #148, EPIP II Phase  
Whitefield, Bengaluru 560 066  
Karnataka, India  
Tel: +91 80 6782 3200  
Fax: +91 80 6782 3232

## USA

Solartron Metrology  
USA Central Sales Office  
915 N. New Hope Road, Suite C  
Gastonia, NC 28054  
Tel: +1 800 873 5838  
Fax: +1 704 868 8466  
usasales.solartronmetrology@ametek.com

## China

AMETEK Commercial Enterprise (Shanghai) Co. Ltd  
No. 155 Puhui Road  
Ju Ting Economic Development Zone  
Shanghai 200131, China  
Tel: +86 21 5763 2509  
Fax: +86 21 5866 0969 Ext. 261/262  
china.solartronmetrology@ametek.com



# Solartron Metrology

*Precision Driven*

Offices worldwide  
Agent and distributor details  
available at  
[www.solartronmetrology.com](http://www.solartronmetrology.com)



Q09540

Solartron pursues a policy of continuous development. Specifications in this document may therefore be changed without notice.

**AMETEK**<sup>®</sup>  
ULTRA PRECISION TECHNOLOGIES

**SCIENCE  
GATE**  
Your Automation Partner



**SCIGATE AUTOMATION (S) PTE LTD**

No.1 Bukit Batok Street 22 #01-01 Singapore 659592

Tel: (65) 6561 0488

Fax: (65) 6562 0588

Email: [sales@scigate.com.sg](mailto:sales@scigate.com.sg)

Web: [www.scigate.com.sg](http://www.scigate.com.sg)

Business Hours: Monday - Friday 8.30am - 6.15pm

# Precision. Quality. Reliability

[www.solartronmetrology.com](http://www.solartronmetrology.com) • [sales.solartronmetrology@ametek.com](mailto:sales.solartronmetrology@ametek.com)