



Aerospect SPS Stack Prediction

Precision measurement systems for
Turbine/Engine alignment



Aerospect SPS 1000T Specification

General	
Post Height:	1196 mm (48 in) optional 1524 mm (60 in)
Arm Length:	457 mm and 610 mm (18 in and 24 in) optional 762 mm (30 in)
Granite:	1524 x 609.6 x 203.2 mm thick (60 x 24 x 8 in thick)
Worktable Height:	838 mm (33 in)
Machine Weight:	790 kg (1740 lbs)
Air Bearing	
Load Capacity:	454 kg (1000 lbs) optional 1136 kg (2500 lbs)
Radial/Axial accuracy:	0.125 μ m (5 μ in)
Tilt Error Motion (coning):	< 0.025 μ m/25mm (< 1 μ in/in)
Tilt & Center	
Tilt Adjustment:	+/- 1°
Center Adjustment:	+/- 3 mm (0.125 in)
Axis of Tilt:	95 mm (3.8 in) Above Worktable
Work Table Diameter:	455 mm (18 in) optional 500 mm, 605 mm (19.6 in, 24 in)
Gage Heads (4- Std, 8- optional) *	
Cartridge Style:	0.375 in OD, +/- 1 mm (0.040 in) travel
Lever Style:	+/- 0.30 mm (+/-0.012 in) travel
Ultra Small:	+/- 0.25 mm (+/- 0.010 in) travel
Measurement resolution:	0.25 μ m (10 μ in)

SPS1000T
Raised Table Profile Part Measurement and Stacking System.

Convenient working height for piece part measurement and short stacks

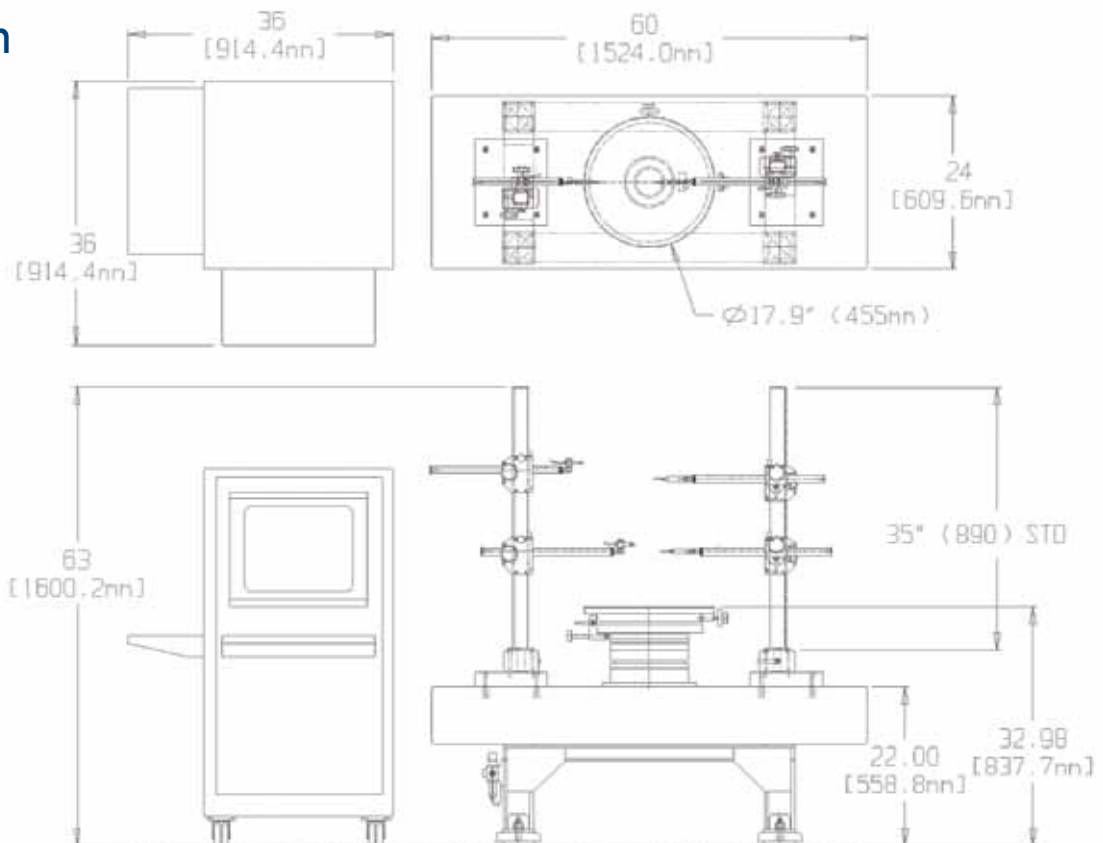


Electrical

Encoder:	1000 line
Flat screen LCD Display	
Industrial Computer	
CE Approved	
Printer included	
Power:	120VAC-50/60hz or 220 VAC-50/60hz
Power Consumption:	500VA
Air Requirements:	Pressure: 50 – 80 psig
Air Usage:	1.5 scfm @ 60 psig, (42 l/min)

*Note: Other Gage heads available upon request

Floor Plan



NOTE: AMETEK Precitech pursues a policy of continual improvement due to technical developments. We therefore reserve the right to deviate from catalog specifications.

Aerospect SPS Portable Specification



General

The SPS Portable system enables Stack prediction measurements of components or stacks. Measurements can be made on any axis of rotation, such as machine tools or balancing systems. Easy to use Aerospect software allows the creation of SP values and orientation. Industrial hardened computer, encoder wheel, and gaging electronics make for a very versatile metrology system.

Gage Heads

Cartridge Style:	0.375 in OD, +/- 1 mm (0.040 in) travel
------------------	---

Lever Style:	+/- 0.30mm (+/-0.012 in) travel
--------------	---------------------------------

Ultra Small:	+/- 0.25 mm (+/- 0.010 in) travel
--------------	-----------------------------------

Measurement resolution:	0.25 μ m (10 μ in)
-------------------------	----------------------------

Note: System delivered with 4 off cartridge style gauges, other gauge heads available upon request

Electrical

Encoder:	200 line
----------	----------

Flat screen LCD Display

Industrial Computer

CE Approved

Printer included

NOTE: Precitech pursues a policy of continual improvement due to technical developments. We therefore reserve the right to deviate from catalog specifications.