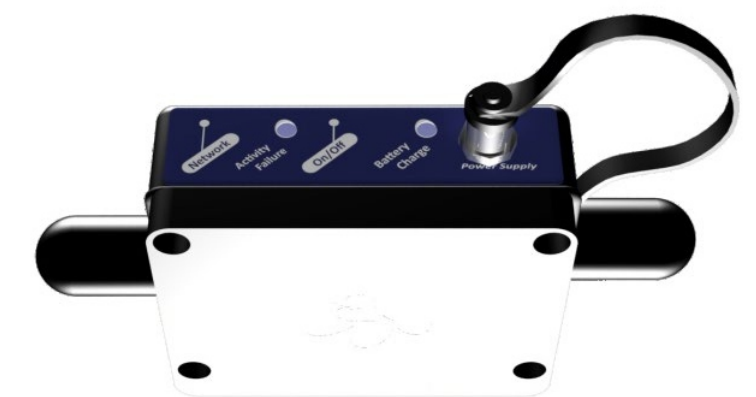
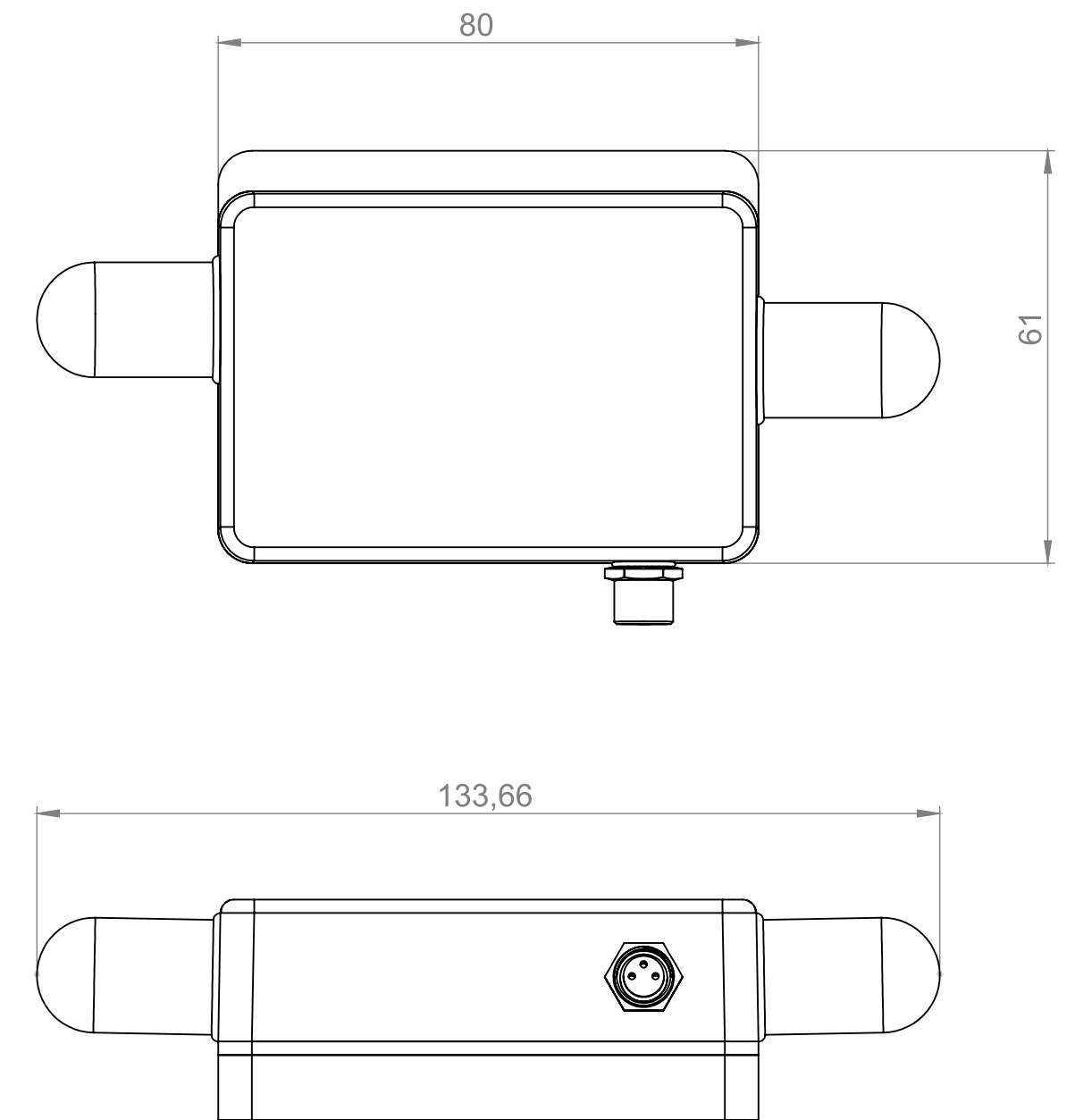
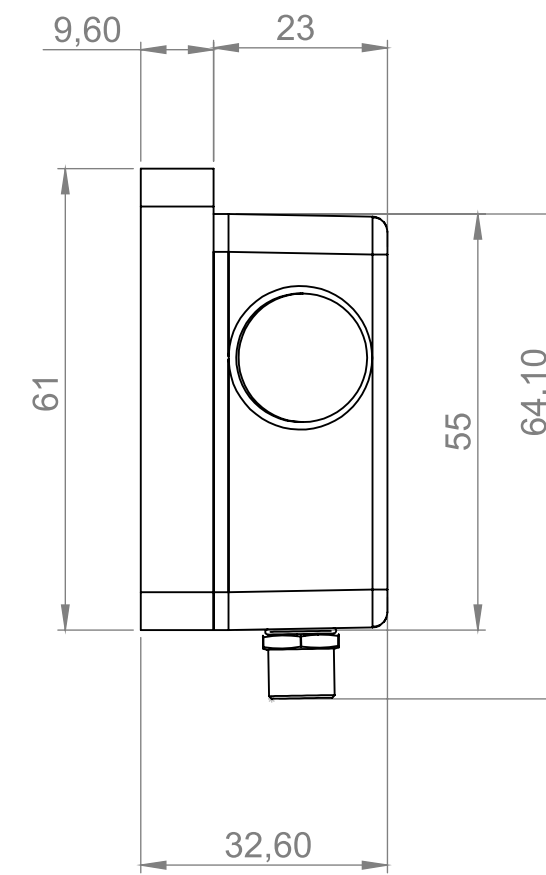
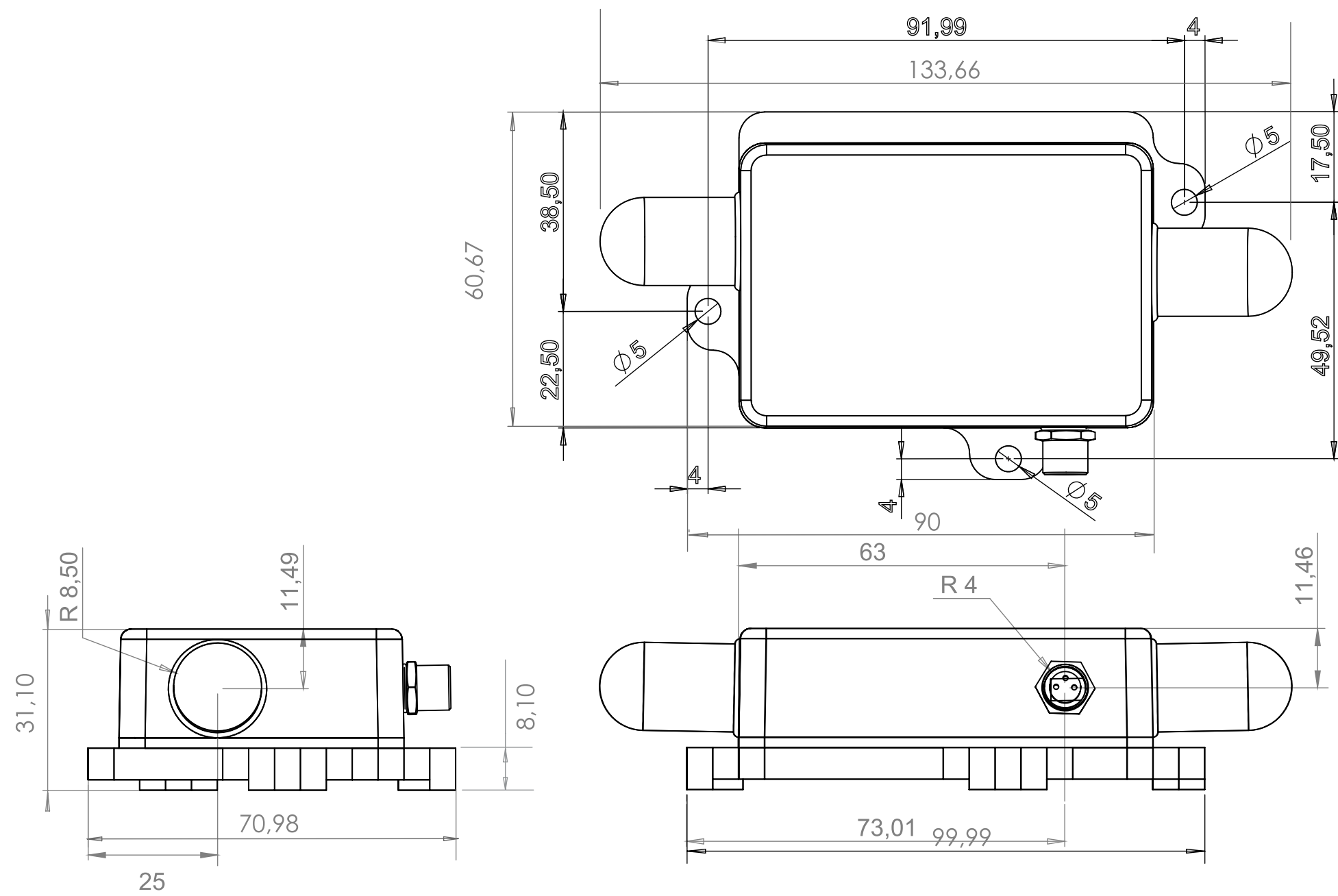



Screw Mounting

Magnetic Mounting



UNLESS OTHERWISE SPECIFIED: FINISH: DIMENSIONS ARE IN MILLIMETERS SURFACE FINISH: TOLERANCES: LINEAR: ANGULAR:		DEBUR AND BREAK SHARP EDGES		NOT SCALE DRAWING		Unit of Measurement		millimeter (mm)		
DRAWN	T.M	SIGNATURE	DATE	TITLE:	 AX-3DS Hi-Inc X-Range / AX-3D X-Range					A2
CHK'D										
APPV'D										
MFG										
Q.A		MATERIAL:		DWG NO.						
WEIGHT:				SCALE:1:1	SHEET 1 OF 1					