



SCIGATE AUTOMATION (S) PTE LTD

No 1 Bukit Batok Street 22 #01-01 Singapore 659592
Tel: (65) 6561 0488 Fax: (65) 6561 0588
Email: sales@scigate.com.sg Web: <https://scigate.com.sg/>

Business Hours: Monday - Friday 8:30AM - 6:15PM

More Precision.

FSC // CFRP coating thickness gauge for the aviation industry





Non-destructive measurement of CFRP, CFRP with lightning protection and metals

Certified detection of the total thickness according to aviation standards

No minimum layer thickness required

Precise, fast and easy measurement via push button

Residue-free measurement without coupling medium, no spade-/rework

Qualified layer thickness measurement for aviation

The FSC performs non-destructive measurements of coating thickness and other electrically insulating layers on substrates such as carbon fiber-reinforced plastics (CFRP), CFRP with metallic lightning protection and metals. The substrates can be isotropic or anisotropic and must have a medium or high electrical conductivity. When multi-layer coating is measured, the system directly measures the total thickness.

This high precision instrument measures, among other things, the thickness of aircraft paint. Certified and authorized by renowned aircraft manufacturers, the FSC is used in the aviation industry, e.g., in paint shops and airlines.

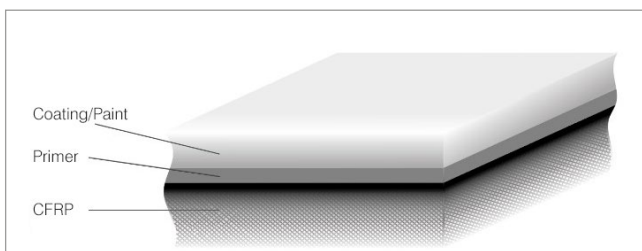
The special models of the FSC series impress with

- high quality,
- cost efficiency,
- safety and
- long service life.

Multi-featured robust controller

The FSC includes a sensor and a controller for operating and display purposes. It operates with microwaves in the ISM band (frequency range 24 to 24.25 GHz). No coupling medium (transducer gel) is required and the measuring point remains unchanged. One measurement takes approx. 1 second.

The plastic films included with known thickness allow for the system to be adjusted to the substrate material on site. The generated data can be applied to the respective substrate type and stored for later use. Export of measurement data for further external processing is possible via a USB port.



Typical structure of an aircraft coating/paint layer



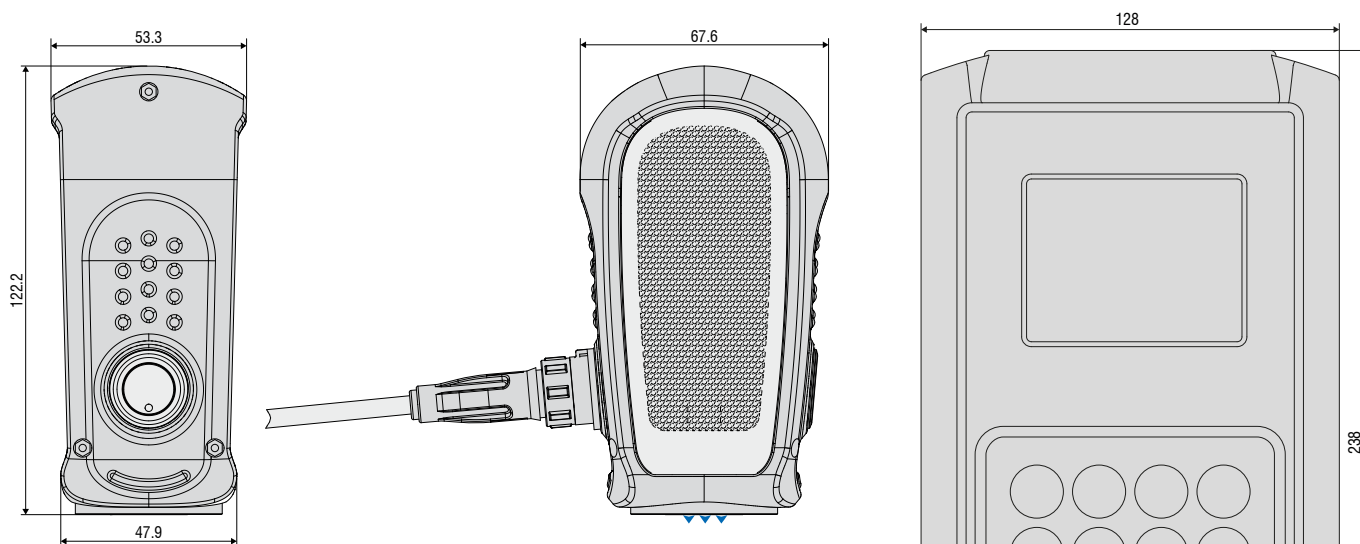
Model	FSC1/7	FSC1000
Measuring range	500 μm	1000 μm
Resolution	Static Display	1 μm 1 μm or 0.01 mils
Repeatability		< 2 μm < 4 μm
Linearity ¹⁾		< $\pm 3 \mu\text{m}$ < $\pm 5 \mu\text{m}$ ²⁾
Duration of a single measurement		< 1 s
Frequency range		24 ... 24.25 GHz (ISM band)
Supply voltage		NiMH battery 6 V, 4500 mAh
Battery life		approx. 8 hours ³⁾
Min. target thickness	Coating Substrate	none depending on material and its conductivity ⁴⁾ , > 1 μm
Min. target size		\varnothing 20 mm
Target material (substrate)		electrically conductive and poorly conductive materials such as CFRP ⁴⁾ , CFRP with lightning protection, metals
Coupling medium (transducer gel)		not required
Active measuring area		approx. \varnothing 15 mm
Interfaces		USB
Temperature range	Storage Operation	0 ... +45 °C 0 ... +40 °C
Humidity		20 ... 80 % r.H. (non-condensing)
Protection class (DIN EN 60529)		IP40 (sensor and controller)
Control and display elements		3.2" resistive LCD touch display, membrane keypad statistical functions with recording and data export : Min., Max., counter, mean value and standard deviation dynamic tilt prevention (can be activated, configurable)

¹⁾ Adjustment based on calibration points, distance max. 150 μm ; not taking into account the film tolerance

²⁾ From 500 μm : also depends on the dielectric constant, typically < ± 3 %.

³⁾ With approx. 1,000 measurements, new and charged battery

⁴⁾ With CFRP woven materials at least one layer; with CFRP laid materials at least two layers with different angles



Measurement direction

Scope of supply

- Sensor, sensor cable
- Controller (control & display module)
- 1 Set of calibration foils
- 2 Battery packs
- Charger (AC 100 - 240V, 50 - 60Hz)
- Shoulder strap for controller
- Operating instructions
- Transport case
- Option: calibration foils with certificate



Sensors and Systems from Micro-Epsilon



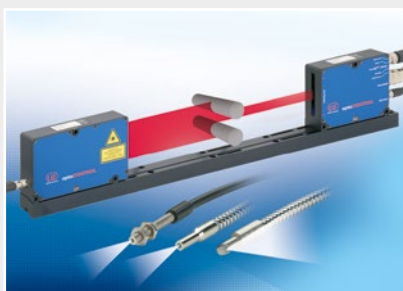
Sensors and systems for displacement, distance and position



Sensors and measurement devices for non-contact temperature measurement



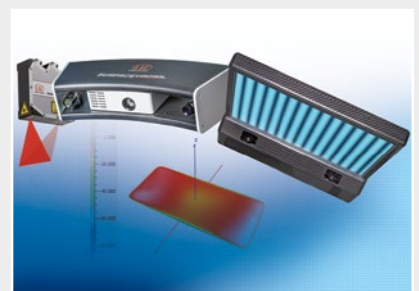
Measuring and inspection systems for metal strips, plastics and rubber



Optical micrometers and fiber optics, measuring and test amplifiers



Color recognition sensors, LED analyzers and inline color spectrometers



3D measurement technology for dimensional testing and surface inspection



SCIGATE AUTOMATION (S) PTE LTD

No 1 Bukit Batok Street 22 #01-01 Singapore 659592
 Tel: (65) 6561 0488 Fax: (65) 6561 0588
 Email: sales@scigate.com.sg Web: <https://scigate.com.sg/>

Business Hours: Monday - Friday 8:30AM - 6:15PM



MICRO-EPSILON Headquarters
 Koenigbacher Str. 15 · 94496 Ortenburg / Germany
 Tel. +49 (0) 8542 / 168-0 · Fax +49 (0) 8542 / 168-90
info@micro-epsilon.com · www.micro-epsilon.com