

More Precision



wireSENSOR WPS-K100

- Robust draw-wire sensors for outdoor applications
- Quick and flexible modifications for OEM purposes
 - Durable and robust sensor design (IP69K)
 - Compact sensor with large measuring range



Model	WPS-1500-K100	WPS-2500-K100	WPS-3500-K100	WPS-5000-K100	
Measuring range	1500 mm	2500 mm	3500 mm	5000 mm	
Analog output	P / U / I				
Resolution	towards infinity				
Linearity	≤ ± 0.25 % FSO	≤ ± 3.75 mm	≤ ± 6.25 mm	≤ ± 8.75 mm	≤ ± 12.5 mm
Sensor element	hybrid potentiometer				
Wire extension force (max)	approx. 8 N				
Wire retraction force (min)	approx. 2 N				
Wire acceleration (max)	approx. 5 g				
Material	Housing	glass-fiber reinforced plastic			
	Draw-wire	polyamide-coated stainless steel (ø 0.61 mm)			
Wire mounting	wire clip				
Mounting	through bores ø 6.4 mm and mounting nuts (for M6) on the sensor housing				
Temperature range	Storage	-40 ... +85 °C			
	Operation	-40 ... +85 °C			
Connection	integrated cable, radial, 1 m long				
Shock (DIN-EN 60068-2-29)	50 g / 5 ms in 3 axes, 2 directions and 1000 shocks each				
Vibration (DIN-EN- 60068-2-26)	20 g / 20 ... 2000 Hz in 3 axes, 2 directions and 10 cycles each				
Protection class (ISO 20653)	IP69K				
Weight	approx. 500 g				

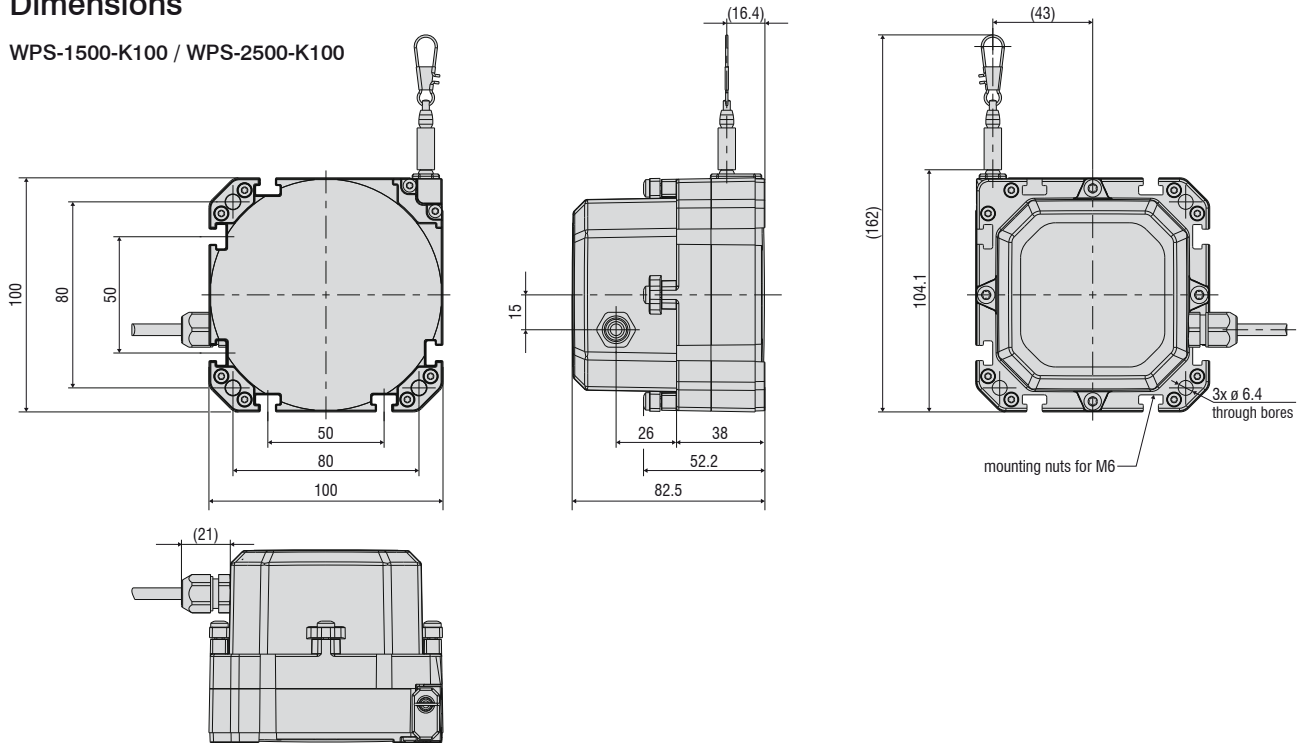
FSO = Full Scale Output



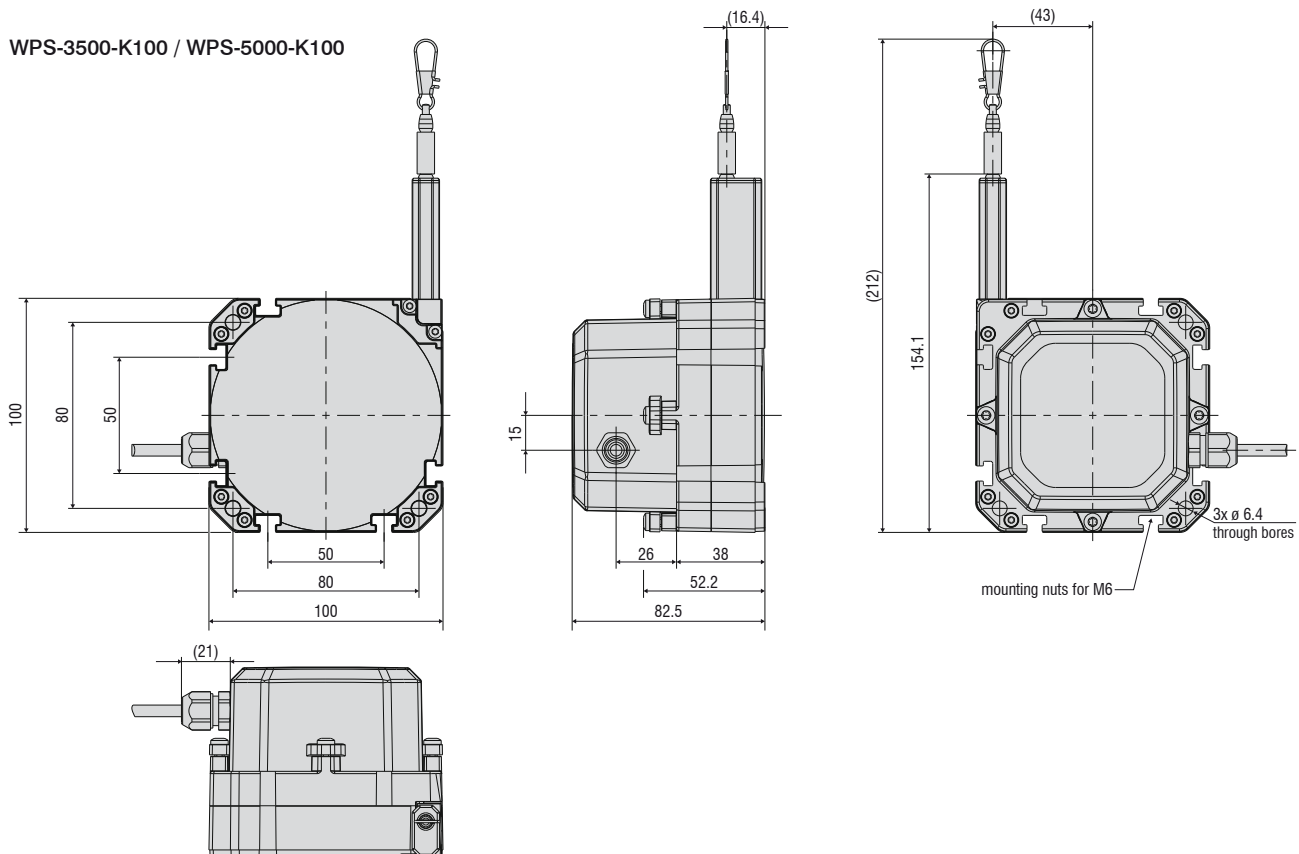
wire**SENSOR** WPS-K100

Dimensions

WPS-1500-K100 / WPS-2500-K100



WPS-3500-K100 / WPS-5000-K100



Micro-Epsilon