



## SCIGATE AUTOMATION (S) PTE LTD

Bukit Batok Street 22 #01-01 Singapore 659592

Tel: (65) 6561 0488

Fax: (65) 6561 0588

Email: [sales@scigate.com.sg](mailto:sales@scigate.com.sg)

Web: <https://scigate.com.sg/>

Business Hours: Monday - Friday 8:30AM - 6:15PM

# More Precision

**induSENSOR** // Linear inductive displacement sensors





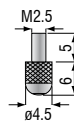
- Proven LVDT technology
- Measuring ranges  $\pm 1 \dots \pm 10 \text{ mm}$
- Low cost especially for high volume applications
- Sensor diameter of just  $\varnothing 8\text{mm}$
- Models with pneumatic push

LVDT gauging sensors DTA-xG8 are primarily used for the measurement and inspection of workpiece geometry (length, width, diameter, thickness, depth, height). They are ideally suitable for high volume applications.

These gauges have an axial cable output and are equipped with either a plain bearing-guided plunger and spring, or with a pneumatic push rod.

**Probe tips**

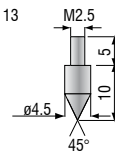
Standard: type 2



Option: type 11



Option: type 13



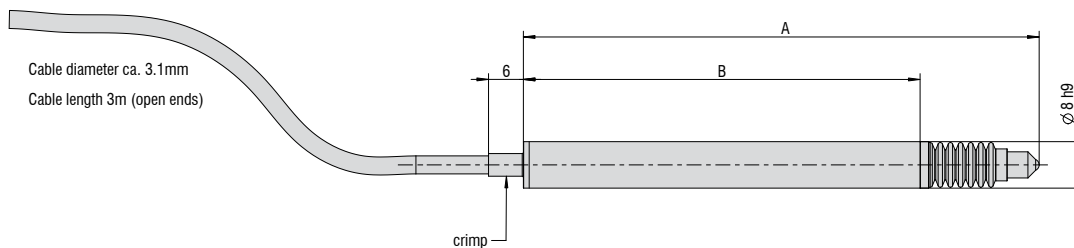
**Article designation**

DT	A-	5-	G8-	3-	CA-	V
Gauging sensor options: V: pneumatic push						
Connection (axial): CA integral cable (3m)						
Linearity: 3 ( $\pm 0.3 \%$ )						
Function: gauging sensor						
Measuring range in mm						
Excitation AC						
Principle: Differential Transformer (LVDT)						

Model	DTA-1G8	DTA-3G8	DTA-5G8	DTA-10G8	DTA-1G8-V	DTA-3G8-V	DTA-5G8-V	DTA-10G8-V
Measuring range	± 1 mm	± 3 mm	± 5 mm	± 10 mm	± 1 mm	± 3 mm	± 5 mm	± 10 mm
Linearity	0.3 % FSO							
Repeatability	0.15 μm	0.45 μm	0.75 μm	1.5 μm	0.15 μm	0.45 μm	0.75 μm	1.5 μm
Temperature stability	250 ppm/°C							
Temperature range	-20...+80 °C (without bellows) / 0...+80 °C (with bellows)							
Diameter	8h9 mm							
Sensor material	stainless steel / FPM							
Connection / pin connector	open ends							
Protection class (sensor)	IP65 (with bellows) / IP54 (without bellows)							
Cable output	axial							
Cable length (sensor)	3 m							
Life cycle MTBF	5 million cycles							
Sensitivity	133 mV/mm/V	85 mV/mm/V	53 mV/mm/V	44 mV/mm/V	133 mV/mm/V	85 mV/mm/V	53 mV/mm/V	44 mV/mm/V
Suitable controller	MSC7401 (pages 10 - 11)							

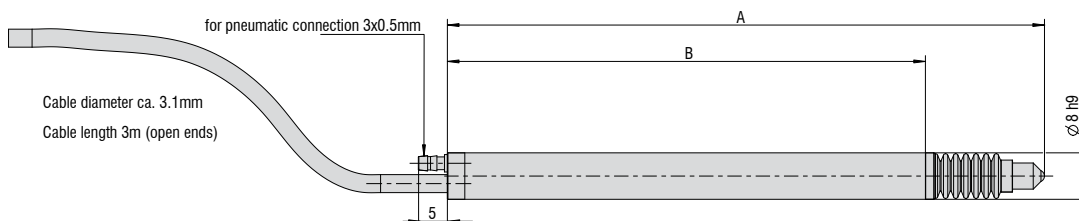
FSO = Full Scale

#### DTA-xG8-3-CA



Model	A (zero position)	B
DTA-1G8-3-CA	83 mm	64.3 mm
DTA-3G8-3-CA	89 mm	68.3 mm
DTA-5G8-3-CA	118 mm	89.5 mm
DTA-10G8-3-CA	155 mm	121.7 mm

#### DTA-xG8-3-CA-V



Model	A (zero position)	B
DTA-1G8-3-CA-V	95 mm	76.3 mm
DTA-3G8-3-CA-V	103 mm	82.3 mm
DTA-5G8-3-CA-V	134 mm	105.3 mm
DTA-10G8-3-CA-V	170.8 mm	137.3 mm



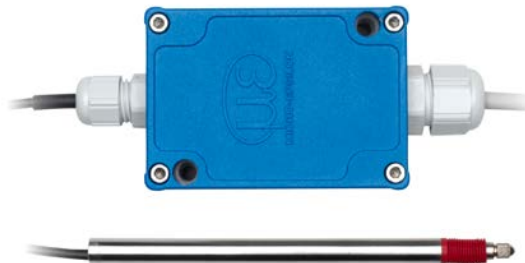
- Compact and robust aluminum housing (IP67)
- High resolution and linearity
- Universal application - compatible with LVDT and half-bridge sensors
- Ideal for high-volume applications in machine building and automation
- User-friendly set up and configuration via buttons or software

The new MSC7401 controller is designed to be operated with LVDT and LDR measuring gauges and displacement sensors. Due to its robust aluminum housing protected to IP67, this single-channel controller is predestined for industrial measurement tasks.

A large variety of compatible, inductive displacement sensors and gauges from Micro-Epsilon combined with an optimized price/performance ratio opens up numerous fields of applications in automation technology and machine building. The controller is easily set up using buttons or software.

#### Exemplary configuration

MSC7401 with DTA-5G8-3-CA gauge:



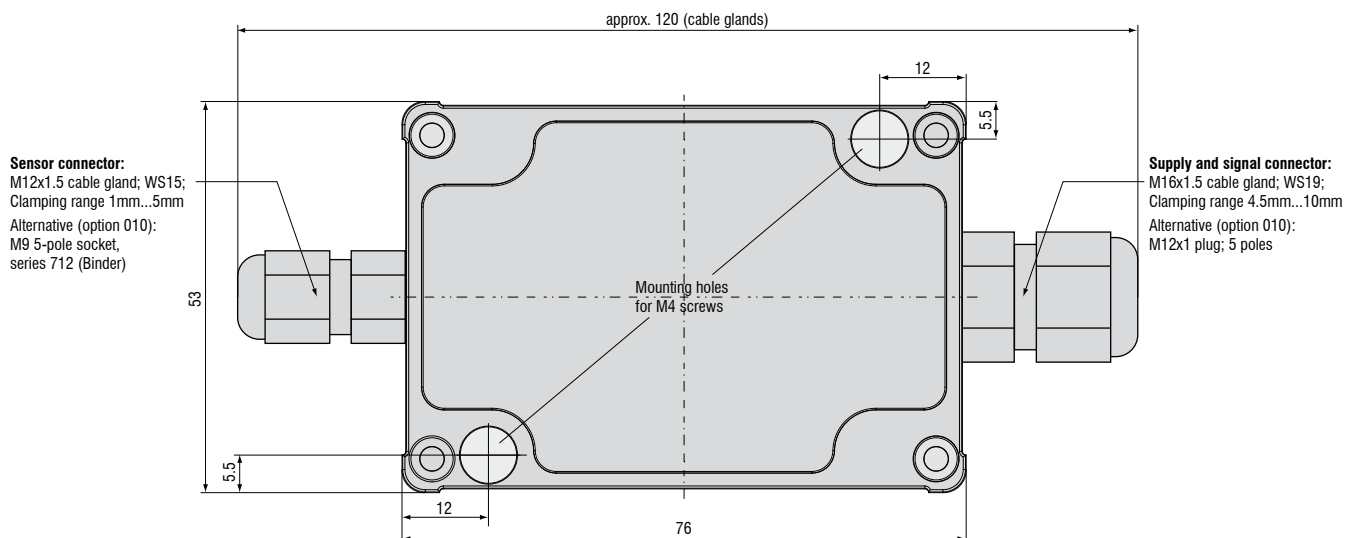
Technical Data	Channel with DTA-5G8-3-CA
Measuring range	$\pm 5 \text{ mm}$
Linearity	$30 \mu\text{m}$
Resolution	$\sim 1.2 \mu\text{m}$
Output	analog

Model		MSC7401 Miniature sensor controller
Power supply		5 V <sup>1)</sup> ... 14 V ... 30 V
Protection		reverse polarity protection, overvoltage protection
Sensor principle		full-bridge sensor/LVDT (DTA series) and half-bridge sensor (LDR series)
Input impedance (sensor)		> 100 kOhm
Gain		adjustable via buttons or software
Zero		
Output signal (adjustable)		(0)2 ... 10 VDC / 0.5 ... 4.5 V / 0 ... 5 V (Ra > 1 kOhm) or (0)4 ... 20 mA (load < 500 Ohm)
Resolution <sup>2)</sup>	DTA series	13 bits (0.012 % FSO) at 50 Hz 12 bits (0.024 % FSO) at 300 Hz
	LDR series	12 bits (0.024 % FSO) at 50 Hz 11 bits (0.048 % FSO) at 300 Hz
Linearity		0.02 % FSO
Frequency response (only adjustable via software)		300 Hz (-3dB)
Storage		-40 ... +85 °C
Operation		-40 ... +85 °C
Temperature stability	DTA series	± 100 ppm FSO/K
	LDR series	± 125 ppm FSO/K
Protection class		IP67
Weight		approx. 200 g
Housing material		aluminum die casting
Connection	Cable gland	screw terminal; AWG 16 to AWG 24; with ferrule up to AWG 28
	Connector	power supply: M12x1 plug (5 poles); sensor: M9 socket; 5 poles (Binder)
EMC		DIN EN 61326-1; DIN EN 61326-2-3
Vibration		DIN EN60068-2-6
Shock		DIN EN 60068-2-27 (40g, 6ms, 1000 per axis)
		DIN EN 60068-2-27 (100g, 6ms, 3 per axis)

FSO = Full Scale Output

<sup>1)</sup> Restricted with load and signal span

<sup>2)</sup> Noise: AC RMS measurement via RC low-pass filter of the 1st order with  $f_c = 5$  kHz



**General accessories**

2960031	MC25D	Digital micrometer calibration fixture
2420062	PS2020	Power supply on DIN rail, input 100 - 240 VAC, output 24 VDC / 2.5 A
2984026		Function and linearity inspection certificate incl. protocol with listed measurement data of the linearity inspection and documentation
2213034		IF7001 single-channel USB/RS485 converter

**Accessories for LDR series****Connection cables**

0157047	C7210-5/3	Sensor cable, 5 m, with cable connector
0157048	C7210/90-5/3	Sensor cable, 5 m, with 90° cable connector

**Supply cable**

2901087	PC710-6/4	Supply/output cable, 6 m
---------	-----------	--------------------------

**Spare plungers**

0800136	LDR-10	Spare plunger
0800137	LDR-25	Spare plunger
0800138	LDR-50	Spare plunger

**Service**

Connector installation and adjustment

**Accessories for EDS series****Service**

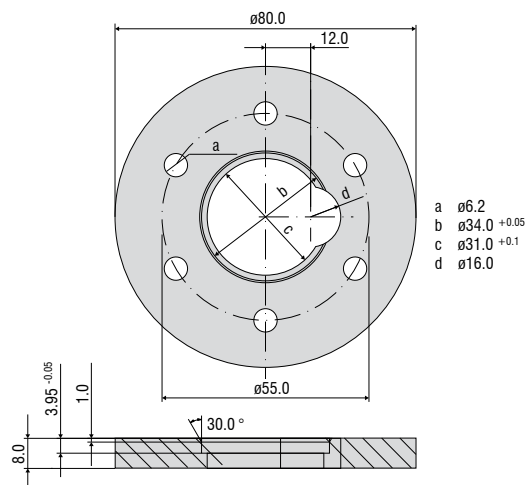
2985001		Function and linearity inspection for EDS series incl. pressure inspection and documentation without recalibration
---------	--	---

**Connection cables**

0157043	C703-5	VIP/LVP/EDS 7-pin connection cable for S series, 5 m
2902084	C703-5/U	VIP/LVP/EDS 7-pin connection cable for S series, 5 m for voltage output 1 - 5 V
0157050	C703/90-5	VIP/LVP/EDS 7-pin connection cable for S series, 5 m with 90° cable connector
2901143	C705-5	VIP-/LVP-/EDS 5-pin connection cable for F series, 5 m
2901160	C705-15	VIP-/LVP-/EDS 5-pin connection cable for F series, 15 m

**Installation ring**

0483326		EDS mounting ring
---------	--	-------------------



Linearity inspection certificate

**Accessories for LVDT series**

**Sensor cables**

2902004	C701-3	Sensor cable, 3 m, with cable connector and tin-plated free ends
2902013	C701-6	Sensor cable, 6 m, with cable connector and tin-plated free ends
2902009	C701/90-3	Sensor cable, 3 m, with 90° cable connector and tin-plated free ends
2213034	IF7001	Single-channel USB/RS485 converter for MSC7xxx

**Service**

2981010	Connector installation and calibration
---------	--

**Connection cables**

2901087	PC710-6/4	Supply/output cable, 6 m, open ends
29011154	PC5/5-IWT	Supply/output cable, 5 m, open ends/M12

**Spare plungers**

0800001	DTA-1D	Spare plunger
0800002	DTA-3D	Spare plunger
0800003	DTA-5D	Spare plunger
0800004	DTA-10D	Spare plunger
0800005	DTA-15D	Spare plunger
0800006	DTA-25D	Spare plunger

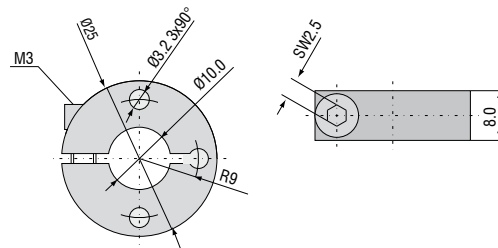
**Flanges**

0483090.01	DTA-F10	Mounting flange, slotted for DTA-1D, DTA-3D, DTA-5D, DTA-10D
0483083.02	DTA-F20	Mounting flange, slotted for DTA-15D, DTA-25D

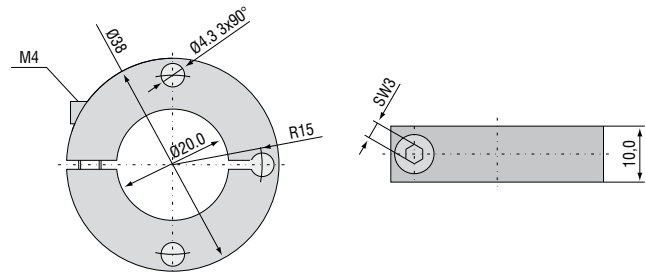
**Probe tips**

0459002	Type 2
0459001	Type 2 (hard metal)
0459003	Type 11
0459004	Type 13

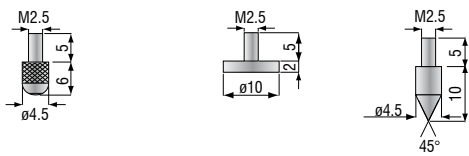
**Flange DTA-F10**



**Flange DTA-F20**



**Standard probe tip: type 2    Option: type 11    Option: type 13**





## High performance sensors made by Micro-Epsilon



Sensors and systems for displacement and position



Sensors and measurement devices for non-contact temperature measurement



2D/3D profile sensors (laser scanner)



Optical micrometers, fiber optic sensors and fiber optics



Color recognition sensors, LED analyzers and color online spectrometer



Measurement and inspection systems