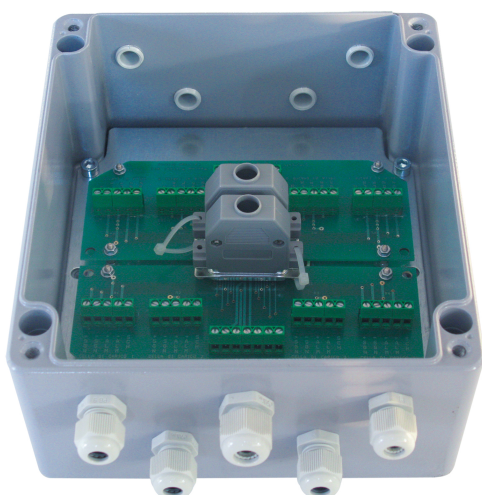




Pavone Sistemi
pesatura elettronica industriale



ACCESSORIES

junction boxes

CGS8-C

Aluminium Case

IP66

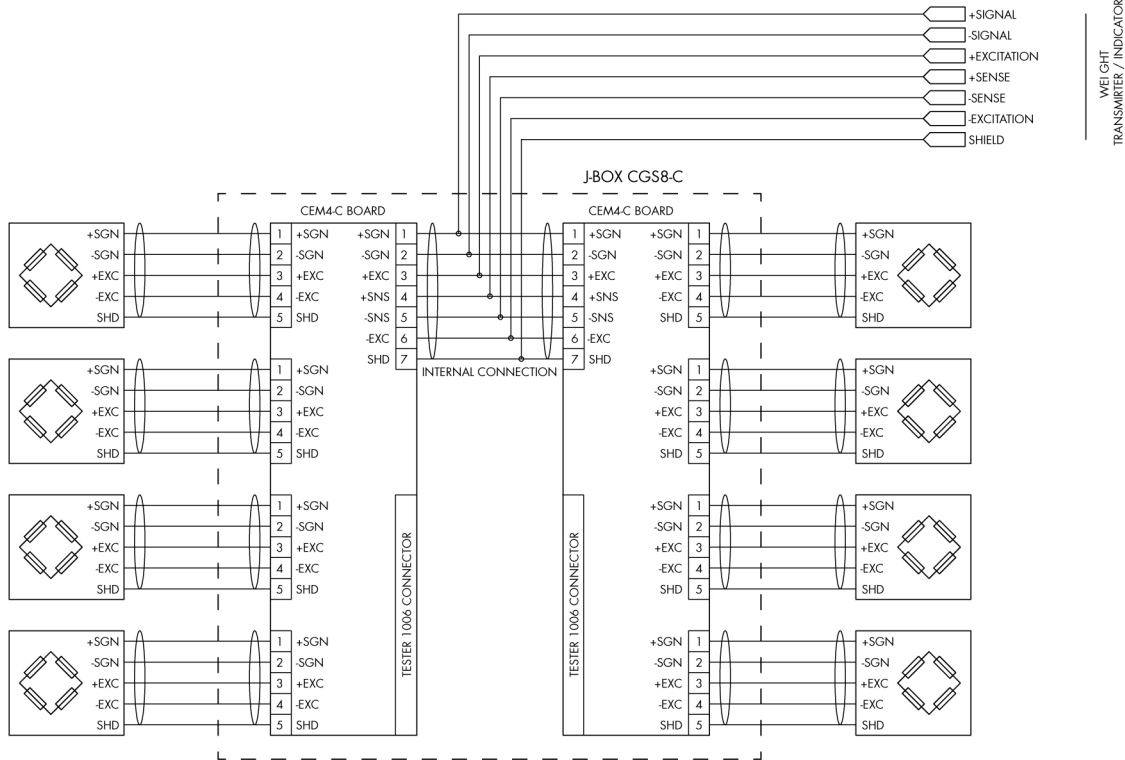
Also available in stainless steel

Connector for rapid connection to our 1006 Tester for the load cells

TECHNICAL CHARACTERISTICS CGS8-C

Temperature range:	-10 ÷ +50 °C
Storage temperature:	-20 ÷ +70 °C
Electrical connection:	Terminal screw pass 5 mm
Dimensions and weight:	230 x 200 x 110 mm (L x H x D)
Drilling template:	180 x 180 mm (L x H)

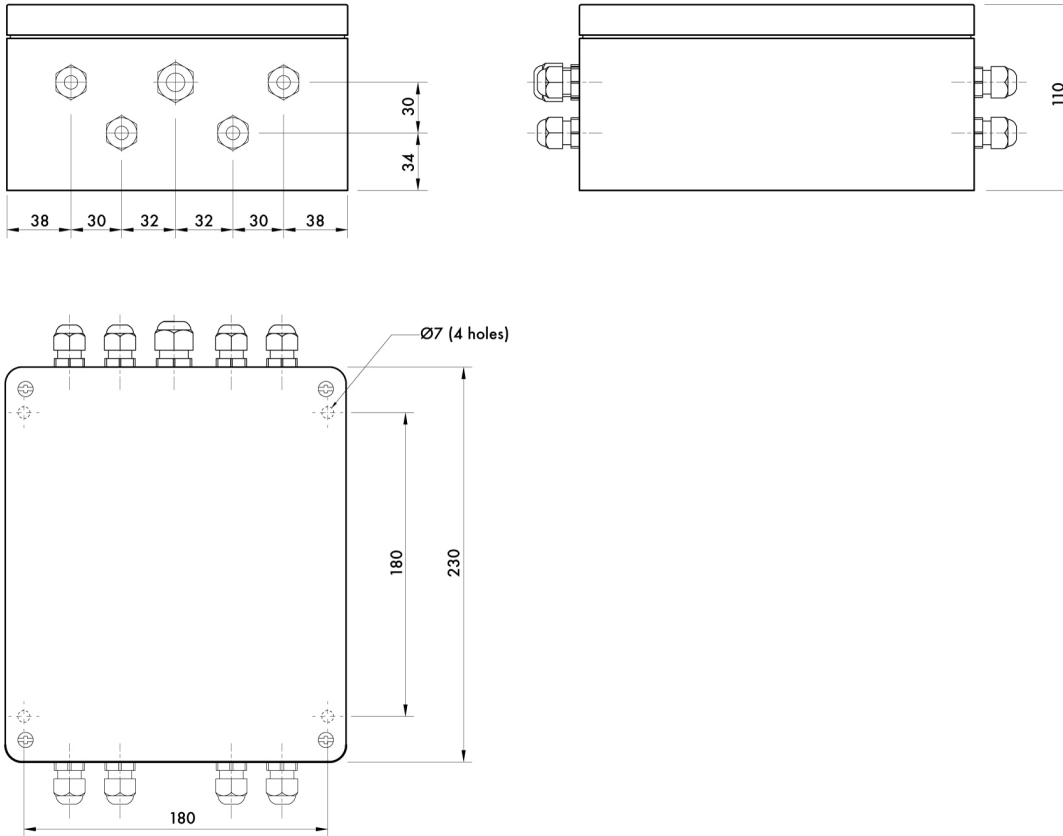




LOAD CELLS COLOUR CODE

+Exc	Red	Red/Green	Red	Red/Blue
-Exc	Black	Black	White	Black/Brown
+Sgn	Green	Green/White	Green	Green
-Sgn	White	Red/White	Blue	White
Shd	Shield	Shield	Shield	Shield
	SENSORTRONICS	NOBEL	MINEBEA	PAVONE





SCIGATE AUTOMATION (S) PTE LTD

No.1 Bukit Batok Street 22 #01-01 Singapore 659592

Tel: (65) 6561 0488

Fax: (65) 6562 0588

Email: sales@scigate.com.sg

Web: www.scigate.com.sg

Business Hours: Monday - Friday 8.30am - 6.15pm

