

## General information

PWS4920220330

The bending beam load cell BBF is welded and built in stainless steel, has a thermal seal and has been designed for weighing tanks, hoppers, belts, platforms, single-cell systems, suspended loads and automatic packaging machines. The BBF cell is supplied with a 4-m shielded cable 3 m long.



## Suggested related products

A highly performing weighing system must be accurate, perfectly calibrated and well maintained. In order to improve the load cell performance and to optimize its functioning, you may need the following products:

**Weight Transmitter** [DAT 1400](#)

**Weight Indicator** [MCT 1302](#)

**Mounting kits** [MKX](#) ®

**Mounting kits** [MH MOUNTING KIT](#)

**Tester 1008** [TESTER 1008](#)

**Junction Box** [CGS4-C](#)

All indicated data may be changed without notice.  
All the measures indicated are expressed in millimeters (mm).



**SCIGATE AUTOMATION (S) PTE LTD**

No.1 Bukit Batok Street 22 #01-01 Singapore 659592

Tel: (65) 6561 0488

Fax: (65) 6562 0588

Email: [sales@scigate.com.sg](mailto:sales@scigate.com.sg)

Web: [www.scigate.com.sg](http://www.scigate.com.sg)

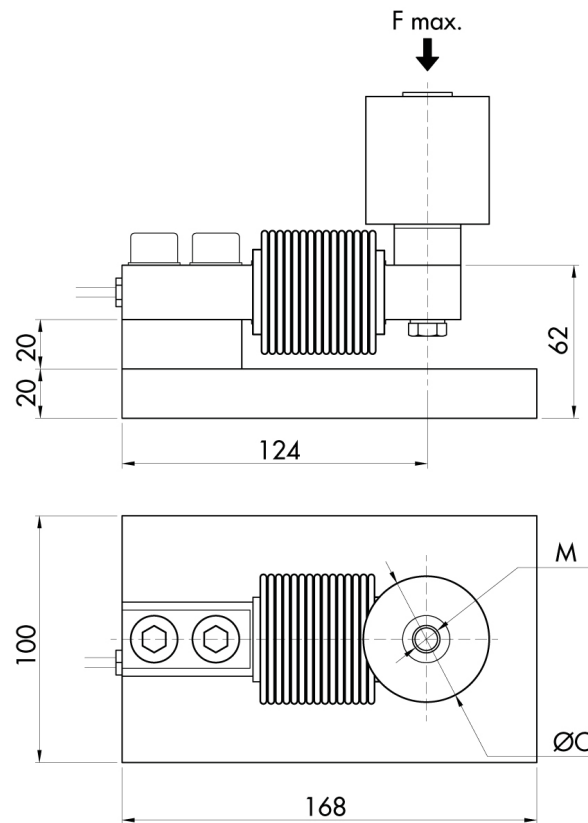
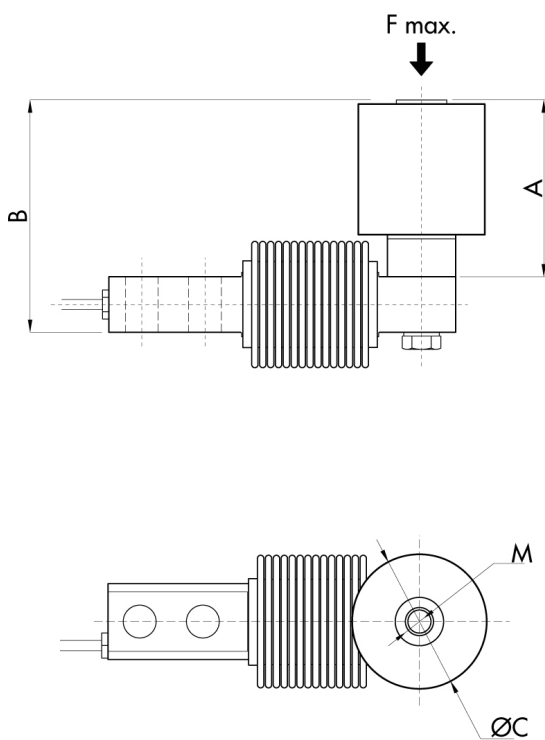
Business Hours: Monday - Friday 8.30am - 6.15pm

## Technical specifications

PWS4920220330

<b>Rated load (RL):</b>	15, 30, 50, 75, 100, 150, 200, 250, 300, 500, 750, 1000, 1500 Kg
<b>Combined error:</b>	< $\pm 0.017$ % RO
<b>Repeatability:</b>	< $\pm 0.015$ % RO
<b>Creep (20 minutes):</b>	$\pm 0.016$ % RO
<b>Safe overload:</b>	150 % RL
<b>Ultimate overload:</b>	200 % RL
<b>Accuracy class:</b>	3000 OIML
<b>Deflection:</b>	0.2 ÷ 0.4 mm
<b>Compensated Temperature:</b>	-10 ÷ +40°C
<b>Temperature range:</b>	-20 ÷ +50°C
<b>Temperature effect on zero balance:</b>	< $\pm 0.01$ % RO/5°K
<b>Temperature effect on output:</b>	< $\pm 0.006$ % RO/5°K
<b>Rated output RO:</b>	2 mV/V $\pm 0.1$ %
<b>Zero balance:</b>	< $\pm 2$ % RO
<b>Insulation resistance:</b>	> 5000 MOhm
<b>Input resistance:</b>	400 $\pm$ 20 Ohm
<b>Output resistance:</b>	350 $\pm$ 3 Ohm
<b>Recommended input:</b>	5 ÷ 15 Vdc/Vac
<b>Degree of protection:</b>	IP68 - IP69K

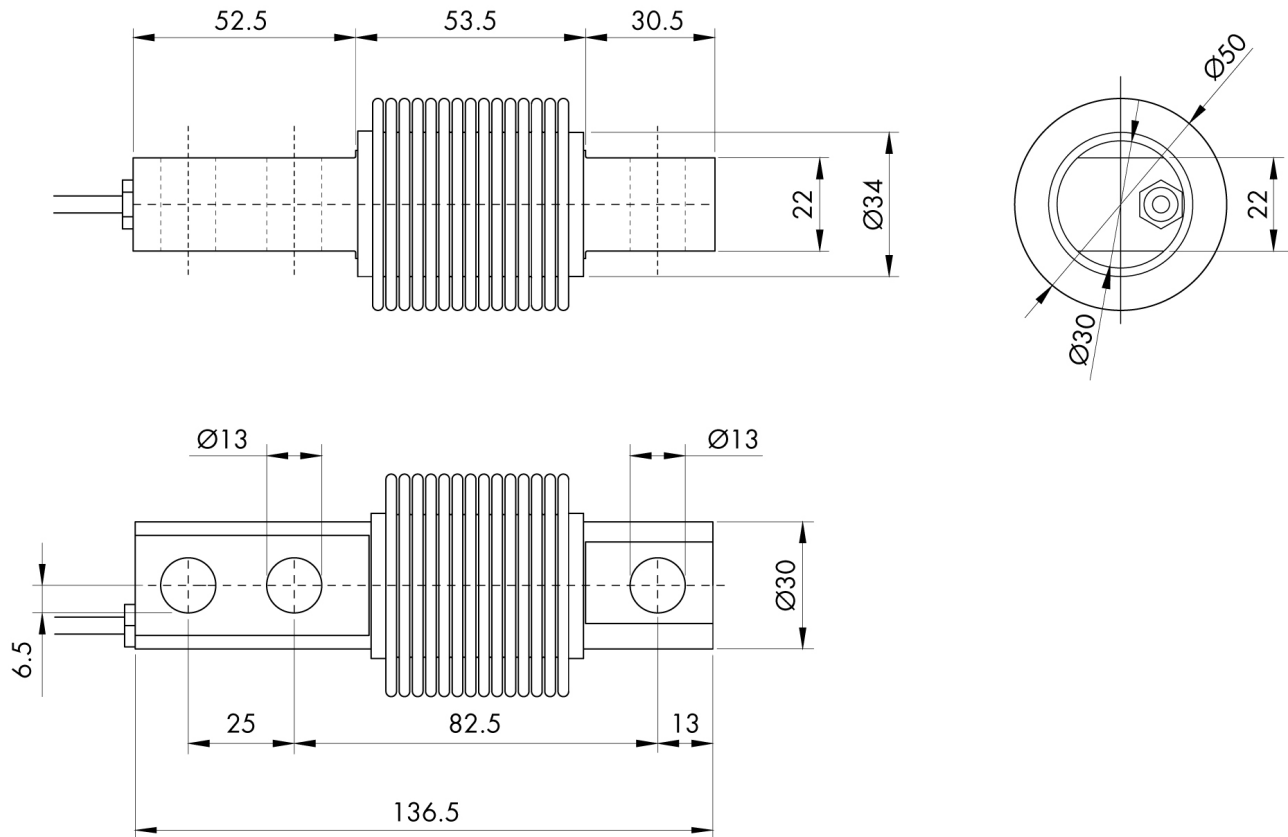
All indicated data may be changed without notice.  
 All the measures indicated are expressed in millimeters (mm).



All indicated data may be changed without notice.  
All the measures indicated are expressed in millimeters (mm).

**Bending beam load cell BBF**

available with certification • EAC • ATEX • OIML


**Electrical Connection**

+Excitation	Green
-Excitation	Black
+Signal	Red
-Signal	White
Shield	Cable shield

All indicated data may be changed without notice.  
All the measures indicated are expressed in millimeters (mm).