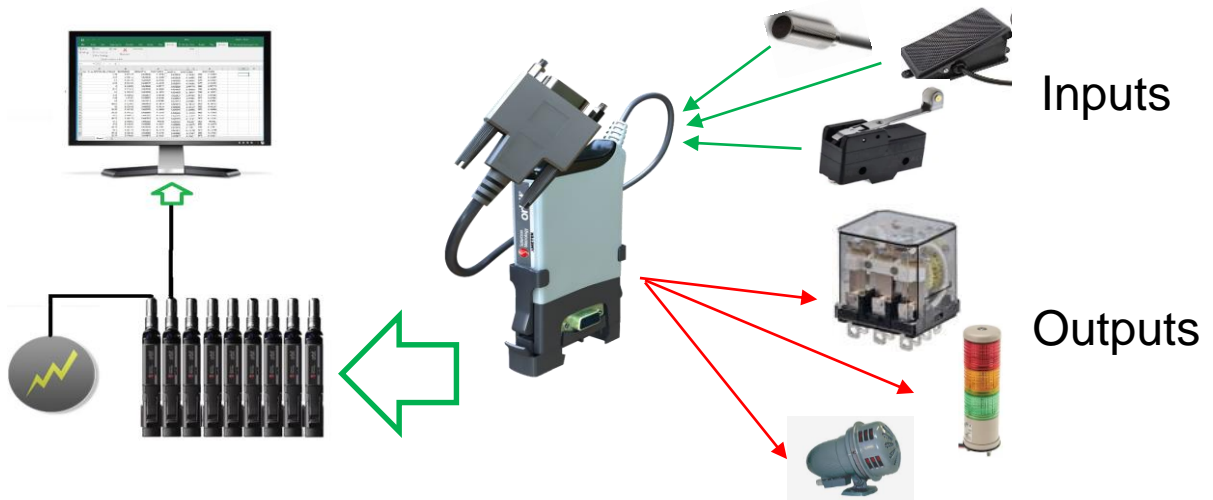


DIOM2 (DIGITAL INPUT/OUTPUT MODULE V2)

Description

The Digital Input/output Module, (DIOM2) is cost effective module that provides up to 6 inputs and 4 outputs, controlled by Solartron's Orbit Digital Measurement Network providing full integration with all of Solartron's Digital sensors. Providing an excellent solution for automation and process control.



Applications

The DIOM2 provides multiple input lines for switches and proximity sensors as well as outputs for solenoid valves, relays, contactors, lamps and other items. With Orbit's modular set up, multiple DIOMs can be used for countless Input/Output combinations.

Benefits

The DIOM2 provides optimum configuration as between 1 and 150 DIOMs can connect to the Orbit network providing the right number of inputs and outputs thus saving cost. The DIOM2 is simple to configure using either the Solartron Gauge Computer Software or Orbit Library.

Design and Functions

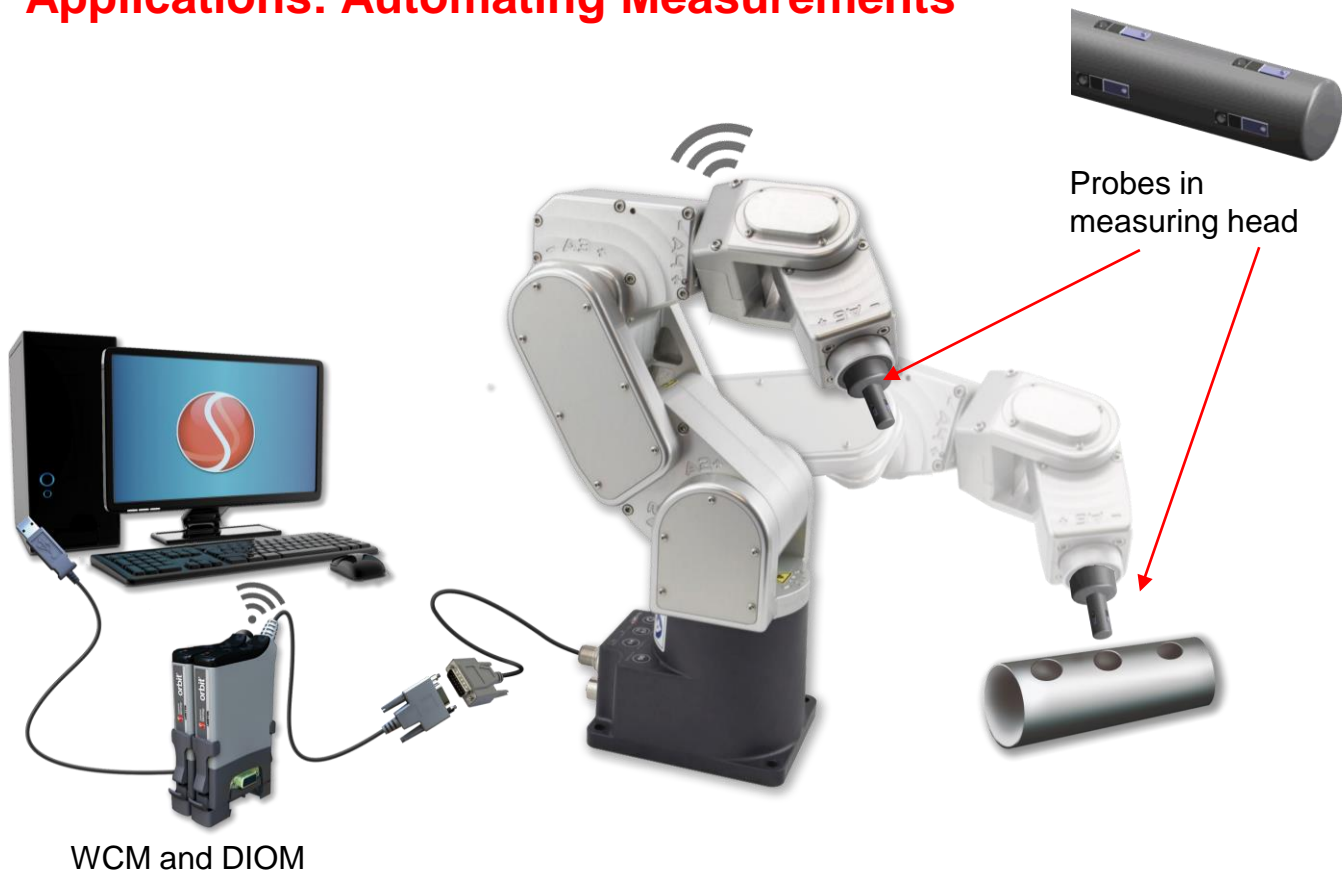
The DIOM2 has the following characteristics

- ▶ Rugged Plastic Housing
- ▶ Connect Multiple Modules
- ▶ DIN Rail Mounting for easy installation
- ▶ User friendly

Precision. Quality. Reliability

www.solartronmetrology.com • sales.solartronmetrology@ametek.com

Applications: Automating Measurements



A robot arm has Solartron probes measuring bores, the probe information is transmitted back to Orbit via Solartron Wireless Control Module. The DIOM activates the measurement process and triggers Orbit to record the measurements when the robot arm is in the correct position.

Connectivity

The DIOM2 is designed to operate with Solartron's Orbit Digital Measurement Network or with Solartron's Gauge Computer Software. The minimum system requires a PC, one of Solartron's Orbit Controller modules (e.g. USBIM) and a DIOM2.



Connectivity Details

For details of how to connect to a DIOM2 please see the Orbit Modules Manual 502914 available at

<https://www.solartronmetrology.com/service-and-support/resource-centre/manuals>

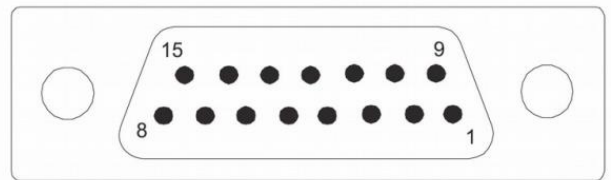
Technical Specification

Performance and Features	DIOM2
Inputs	
Number of Inputs	6
Input Type	Configurable Active High or Active Low (default active low)
Input Voltage Range	-5V to +40V
Logic level low	0.80V min 1.3V typ
Logic level high	2.90V max 2.29V typ
Hysteresis	0.54V min 1.0V typ
Input debounce (ms)	Configurable 0 (default) 5,10,25,50
Input Frequency	DC to 1 kHz
Outputs	
Number of Outputs	4
Output Type	Configurable NPN, PNP, Logic (default state NPN, OFF)
Logic Output	Pull up from +5V 2 std TTL loads
NPN/PNPEXternal Supply limit	+10 to +30 V
Current Limit	150 mA
Max In Rush Current	600 mA duration <200 ms
Rise/Fall Times	
Pull up	<500ns (470ns typical)
Pull up release	Depends on load (<1.5µs typical)
Pull down	<300ns (290ns typical)
Pull down release	Depends on load (<2.5µs typical)
Electrical Interface	
Protocol	Solartron Orbit 3
Compatible Controllers	USB, Ethernet, RS232
Power requirements (5V DC)	70 mA no load, 450 mA full load
Environmental	
EMC Emissions	EN61000-6-3
EMC Susceptibility	EN61000-6-2
Safety	EN61010:2010
Materials	Primarily ABS and Nylon (module housing)
ROSH	Fully ROSH compliant

Pin Configuration

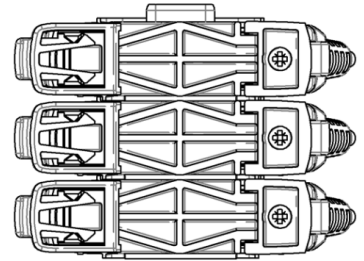
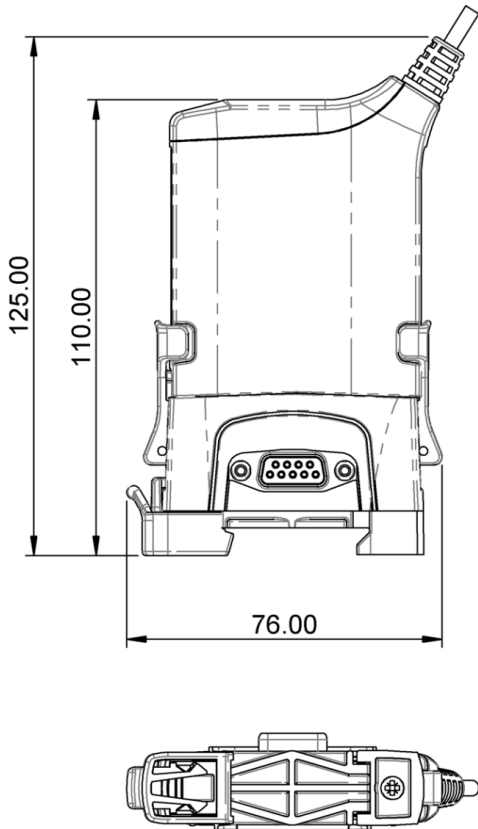
Pin	Signal
1	0V
2	0V
3	Input 1
4	Input 2
5	Input 3
6	Input 4
7	Input 5
8	Input 6
9	Output 4
10	Output 3
11	Output 2
12	Output 1
13	Output Supply In
14	Not used
15	+5V out

DIOM2 Plug: front view



The DIOM2 has a 15 way D type plug (Pins/male) fitted as standard,

Dimensions





Sales Offices

UK (Headquarters and Factory)

Solartron Metrology
Bognor Regis, West Sussex, PO22 9ST
Tel: +44 (0) 1243 833 333
Fax: +44 (0) 1243 833 332
Email: sales.solartronmetrology@ametek.com

France

AMETEK SAS
Solartron Metrology Division
Elancourt, 78990 France
Tel: +33 (0) 1 30 68 89 50
Fax: +33 (0) 1 30 68 89 99
Email: info.solartronmetrology@ametek.com

Germany

AMETEK GmbH
Solartron Metrology Division
40670 Meerbusch
Tel: +49 (0) 2159 9136 500
Fax: +49 (0) 2159 9136 505
Email: vertrieb.solartron@ametek.com

China

AMETEK Commercial Enterprise (Shanghai)
Co., Ltd
Shanghai, 200131, China
Tel: +86 21 5763 2509
Email: china.solartronmetrology@ametek.com

North America

Solartron Metrology
USA Central Sales Office
Gastonia, NC 28054
Tel: +1 800 873 5838
Email: usasales.solartronmetrology@ametek.com

Distributors

Solartron have 30+ distributors worldwide, see website www.solartronmetrology.com for your nearest distributor

Precision Driven...

In the laboratory, on the shop floor or in the field, Solartron Metrology's products provide precise linear measurements for quality control, test and measurement and machine control. Solartron Metrology is a world leader in the innovation, design and manufacture of precision digital and analogue dimensional LVDT gauging probes, displacement sensors, optical linear encoders and associated instrumentation.