

MicroFLEX

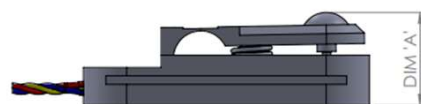
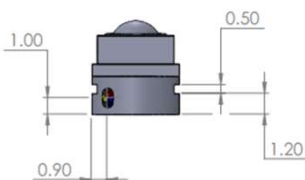
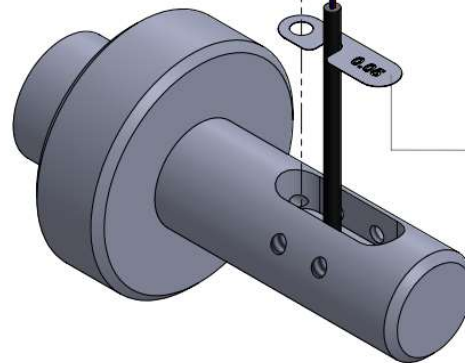
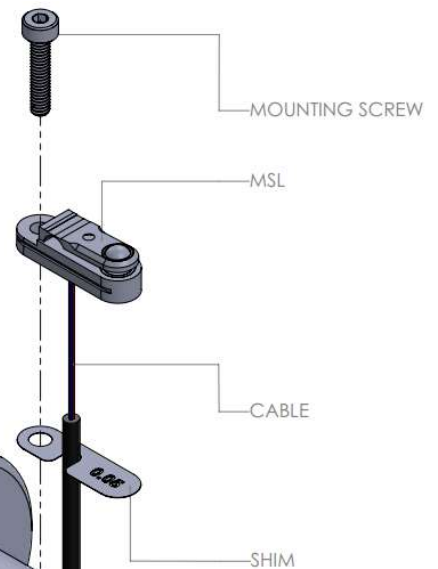
AMETEK®

MICRO SINGLE LEAF FLEXURE

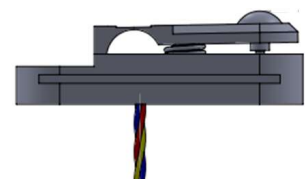
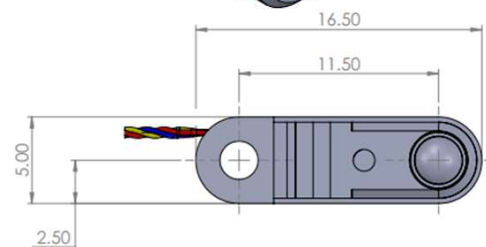
A rugged, precise sensor that is just 5.5 mm high

KEY FEATURES

- Miniature Flexure device Size :
 - 16.5 long x 5 wide x 5.5 mm High.
 - 0.4 mm measurement range
- **17-7PH Steel Body** for Maximum Performance.
- Mounting can be accomplished using an M2 screw or gripping from the side
- Side or Bottom cable options available
- Ideal for mounting in Bore Gauge Equipment.
- Tungsten Carbide, Ruby, & Silicon Nitride Tip Options available.
- Optional pack of shims so probe is at proper level in a pocket
- Fully compatible with Solartron Orbit® Network and Wireless Products



Side Cable



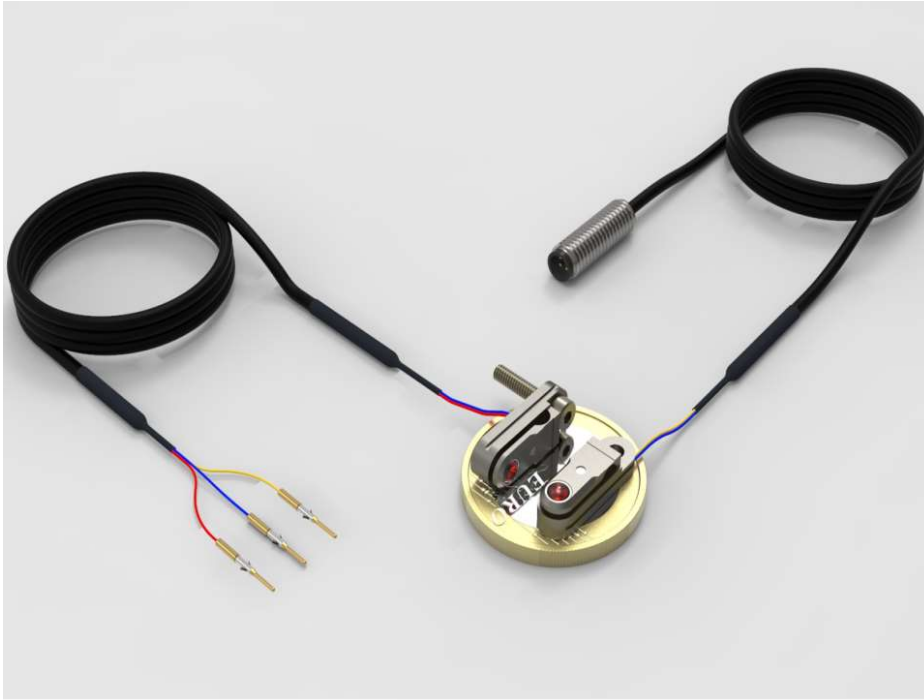
Bottom cable

REAL PRECISION. REAL SOLUTIONS.

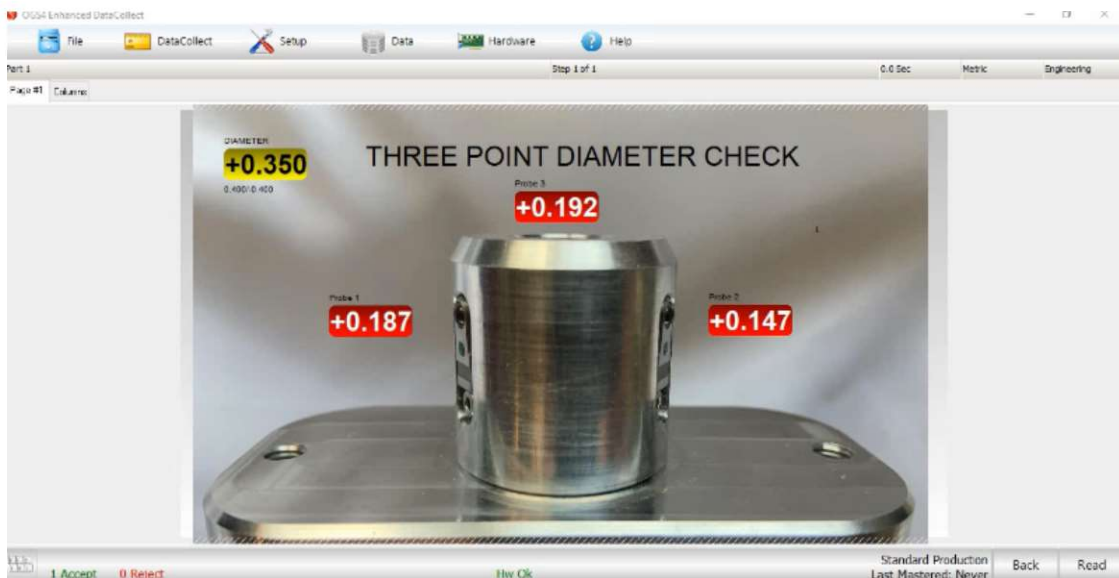
www.solartronmetrology.com • sales.solartronmetrology@ametec.com

Different Cable Options

AMETEK®



Output data using Orbit® Network and/or Multi-Channel Wi-Gauge

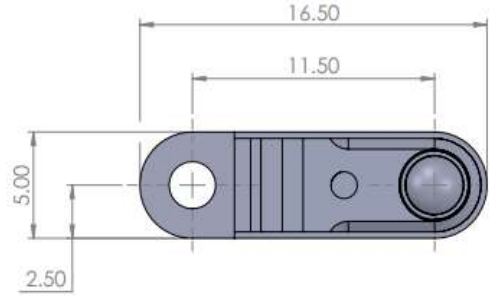


Technical Specification

Products	Micro Single Leaf Flexure
Spring Push	MSL/0.4/S
Measurement Performance	
Total Measurement Range (mm)	0.40
Accuracy (% of Reading) (Note 1)	0.05
Repeatability (µm)	0.5
Resolution (µm)	<0.1
Pre Travel (mm)	0.02/0.05
Post Travel (mm) (Min)	0.19
Tip Force (gf) at Middle of Range ±30%	
Spring Push	90
Temperature Coefficient microns/°C	0.3
Environmental	
Sealing for Probe	IP40
Sealing for Probe Interface Electronics	IP43 for module and TCON
Storage Temperature (°C)	-20 to +80
Probe Operating Temperature with Gaiter (°C)	0 to +80
Electronics Operating Temperature (°C)	0 to 60
EMC Emissions	EN61000-6-3
EMC Immunity	EN61000-6-2
Vibration	10g upto 2 kHz
Material	
Probe Body	17-7 PH
Probe Tip (options)	Fixed (1.25 mm Rad Ball)
Cable	PUR
Electronics Module	ABS
Electronics Interface (Orbit®3)	
Orbit®3 Interface Options	USB, Ethernet, RS232
Reading Rate	3906 readings per second
Bandwidth of Electronics (Hz) user selectable	460, 230, 115, 58, 29, 14, 7,4
Power	5±0.25 VDC @ 0.06 A typical

Note 1: Accuracy 0.1 µm or % reading whichever is the greater

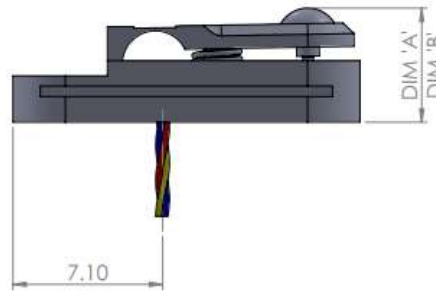
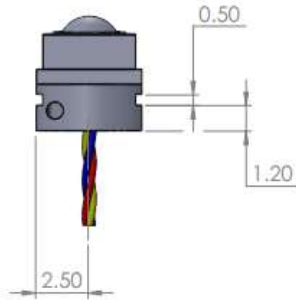
Drawing



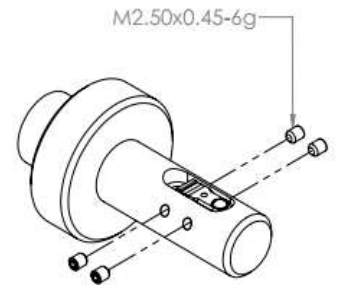
MOUNTING OPTION



TOP MOUNT



Fully Extended DIM A (mm)	5.55
Fully Retracted DIM B (mm)	4.80



SIDE MOUNT

Optional Shims



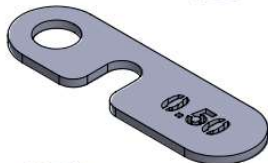
0.05 mm THICK



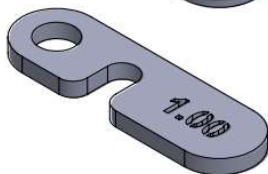
0.10 mm THICK



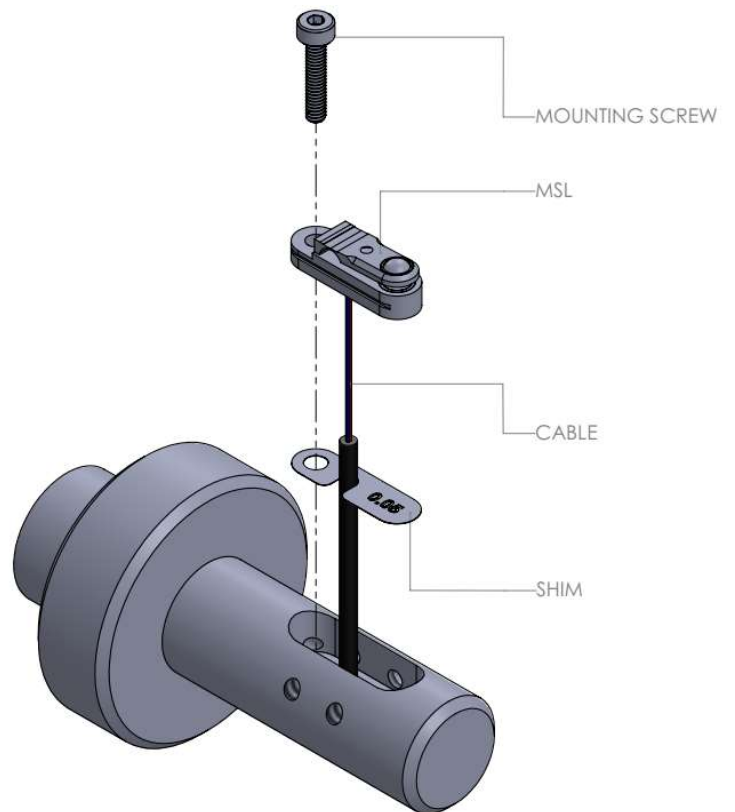
0.20 mm THICK

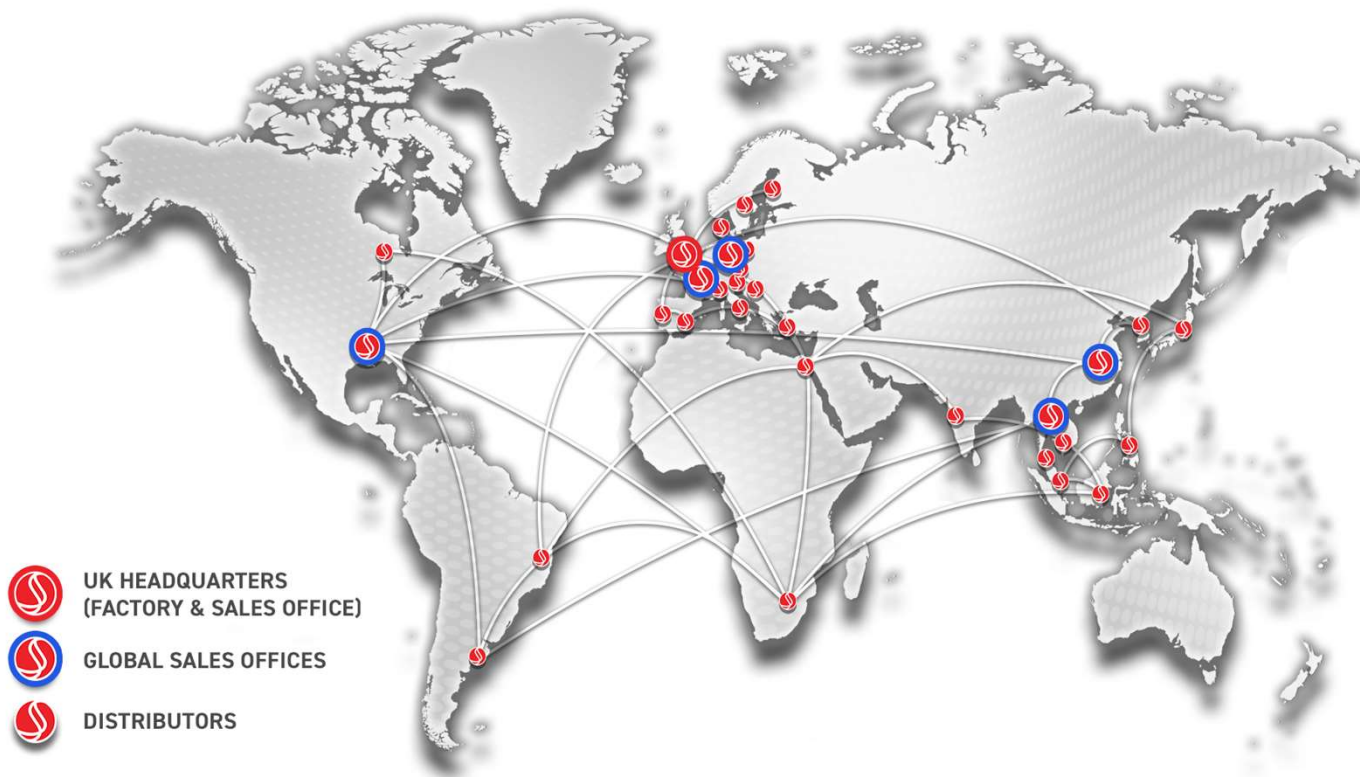


0.50 mm THICK



1.00 mm THICK





-  **UK HEADQUARTERS
(FACTORY & SALES OFFICE)**
-  **GLOBAL SALES OFFICES**
-  **DISTRIBUTORS**

UK Head Office and Factory

Solartron Metrology
Steyning Way
Bognor Regis
West Sussex
UK, PO22 9ST
Tel: +44 (0) 1243 833333
Email: sales.solartronmetrology@ametek.com

France

Ametek SAS
Solartron Metrology Division
Rond point de l'epine des champs
Buroplus Bat D
Elancourt
78990
France
Tel: +33 (0) 1 30 68 89 50
Email: Info.solartronmetrology@ametek.fr

Germany

Ametek GmbH
Solartron Metrology Division
Rudolf-Diesel-Strasse 16
40670 Meerbusch
Tel: +49 (0) 2159 9136 500
Email: vertrieb.solartron@ametek.com

China

Ametek Commercial Enterprise (Shanghai) Co., Ltd
Part A1, A4 2nd Floor
Building No 1, No 526 Fute
3rd Road East
Shanghai
Pilot Free Trade Zone
200131
China
Tel: +86 21 5763 2509
Email: china.solartronmetrology@ametek.com

USA

Solartron Metrology
915 N. New Hope Road, Suite C
Gastonia, NC 28054
Tel: +1 800 873 5838
Email: usasales.solartronmetrology@ametek.com

Japan

Ametek -Japan
Solartron Metrology Division
Tokyo Office
Shiba NBF Tower (1F, 3F)
1-1-30, Shiba Diamon Minato-Ku, Tokyo, Japan
(P.C.105-0012)
Email: hidenao.tanaka@ametek.com

Thailand

Ametek (Thailand)
Solartron Metrology Division
B4.1.1 – B4.1.3 Floor 1st, SUMMER Lasalle
846 La Salle Rd., Bangna Tai, Bang Na
Bangkok, 10260, Thailand
Tel: +66 2 012 7500
Mobile: +66 92 087 9222
Email: hidenao.tanaka@ametek.com

Solartron Metrology also carries an extensive network of sales agents in all major countries. For a local contact, go to www.solartronmetrology.com/contact or email at sales.solartronmetrology@ametek.com



SCIGATE AUTOMATION (S) PTE LTD
No.1 Bukit Batok Street 22 #01-01 Singapore 659592
Tel: (65) 6561 0488 Fax: (65) 6562 0588
Email: sales@scigate.com.sg Web: www.scigate.com.sg
Business Hours: Monday - Friday 8.30am - 6.15pm