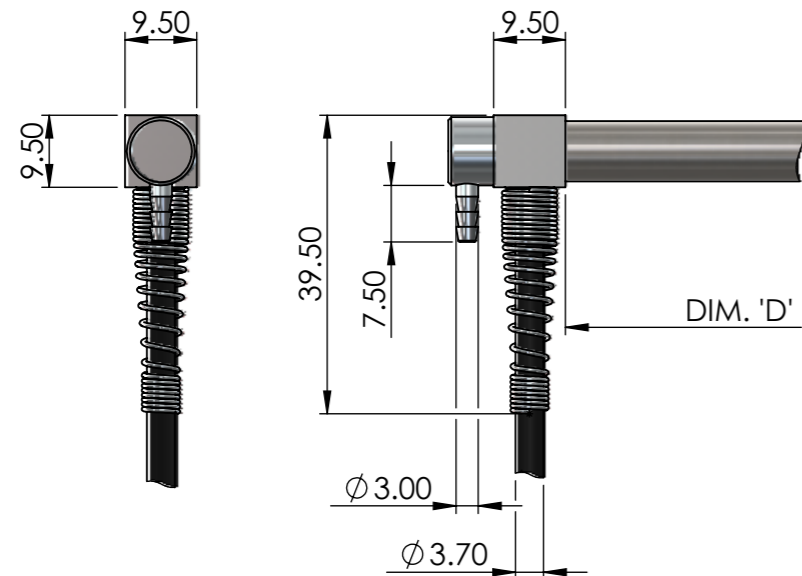
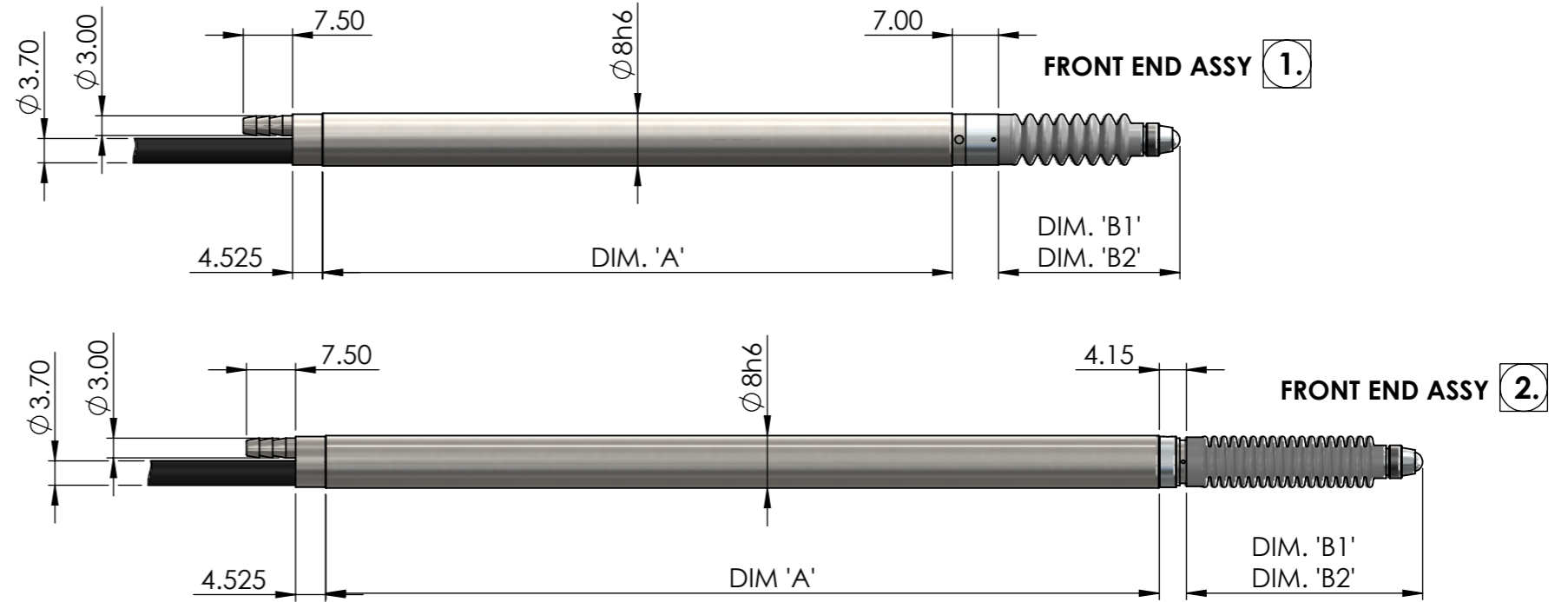


3D MODEL GUIDE		
RANGE	DJ PNEUMATIC PUSH	
	AXIAL	R/A
2mm	540002-315	540002-382
5mm	540002-317	540002-314
10mm	540002-318	540002-328
10/2mm	540002-316	-
20mm	540002-391	540002-392



RADIAL CABLE OUTLET OPTION 'R/A'

MEASUREMENT RANGE	2mm	5mm	10mm	10/2mm	20mm
CASE LENGTH AXIAL DIM. 'A'	52.50	71.00	96.00	84.00	127.00
CASE LENGTH R/A DIM. 'D'	38.50	57.50	82.50	-	113.50
FULLY EXTENDED DIM. 'B1'	16.40	20.10	27.60	27.60	46.15
PRE-TRAVEL	0.15	0.15	0.15	0.15	0.15
POST-TRAVEL	0.85	0.85	0.85	8.85	0.85
FULLY RETRACTED DIM. 'B2'	13.40	14.10	16.60	16.60	25.15
FRONT END ASSY TYPE	1.	1.	1.	1.	2.

DJ/P-DIGITAL GAITER INDEPENDENT PNEUMATIC PUSH

SOLARTRON PURSUES A POLICY OF CONTINUOUS DEVELOPMENT. SPECIFICATIONS IN THIS DOCUMENT MAY THEREFORE BE CHANGED WITHOUT NOTICE. DIMENSIONS ARE NOMINAL AND SPECIFIED IN MILLIMETRES.

