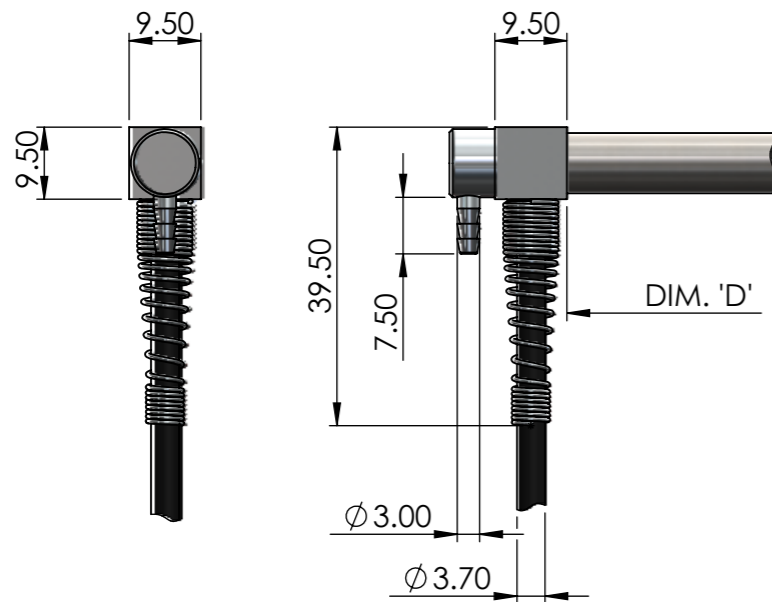
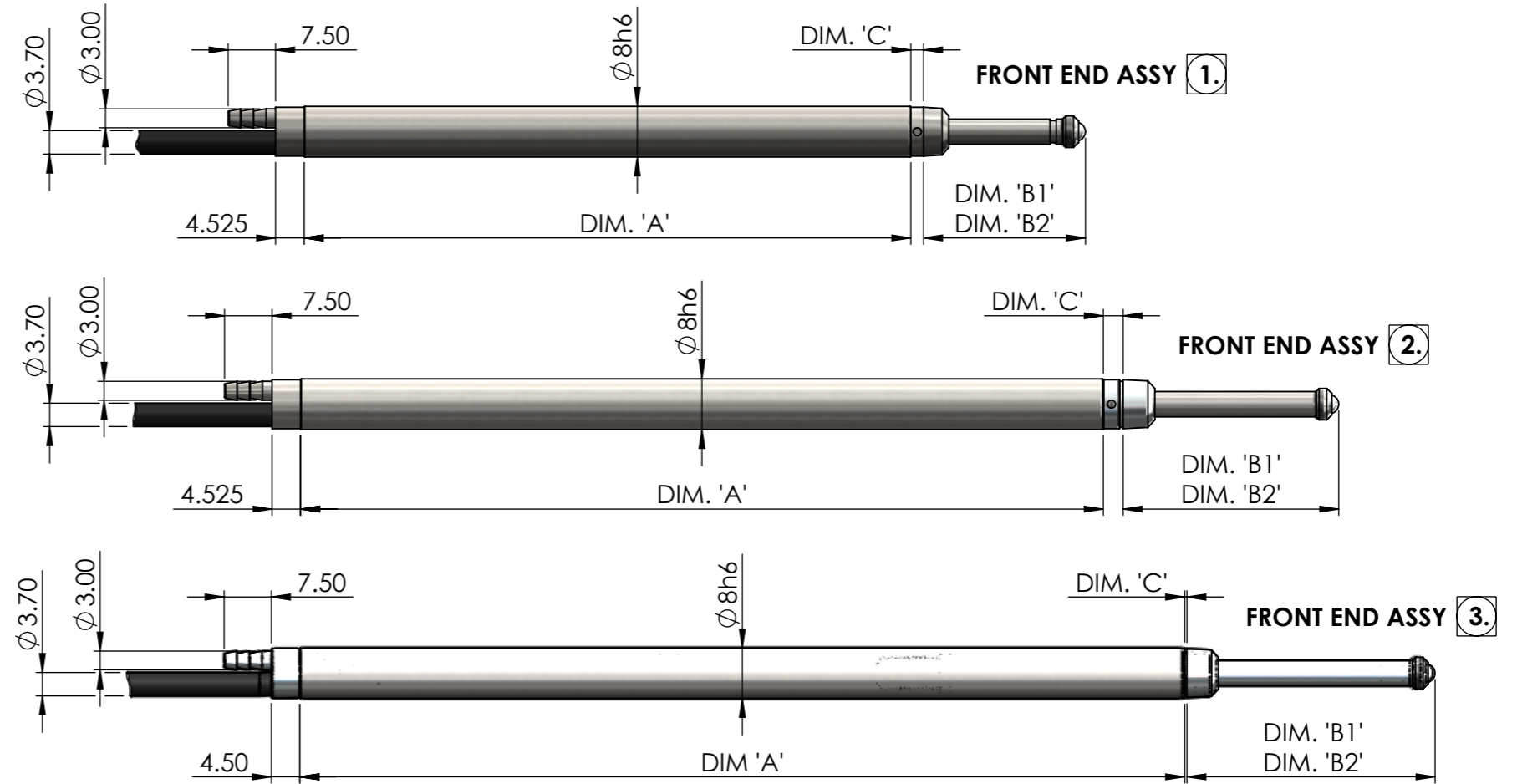


3D MODEL GUIDE		
RANGE	DT PNEUMATIC PUSH	
	AXIAL	R/A
2mm	540002-330	540002-360
5mm	540002-331	540002-361
10mm	540002-332	540002-362
10/2mm	540002-399	540002-397
20mm	540002-344	540002-363
30/5mm	540002-373	540002-369
30/10mm	540002-396	540002-395



RADIAL CABLE OUTLET OPTION 'R/A'

MEASUREMENT RANGE	2mm	5mm	10mm	10/2mm	20mm	30/5mm	30/10mm
CASE LENGTH AXIAL DIM. 'A'	52.50	71.00	96.00	84.00	127.00	140.00	145.00
CASE LENGTH R/A DIM. 'D'	38.50	57.50	82.50	70.50	113.50	126.50	131.50
FULLY EXTENDED DIM. 'B1'	14.35	18.10	25.60	25.60	34.10	39.25	39.25
PRE-TRAVEL	0.15	0.15	0.15	0.15	0.15	0.15	0.15
POST-TRAVEL	0.85	0.85	0.85	8.85	0.85	24.85	19.85
FULLY RETRACTED DIM. 'B2'	11.35	12.10	14.60	14.60	13.10	9.25	9.25
DIMENSION 'C'	2.00	2.00	2.00	2.00	3.15	0.35	0.70
FRONT END ASSY	①	①	①	①	②	③	③

# DT/P-DIGITAL FEATHER TOUCH PNEUMATIC PUSH

SOLARTRON PURSUES A POLICY OF CONTINUOUS DEVELOPMENT. SPECIFICATIONS IN THIS DOCUMENT MAY THEREFORE BE CHANGED WITHOUT NOTICE. DIMENSIONS ARE NOMINAL AND SPECIFIED IN MILLIMETRES.