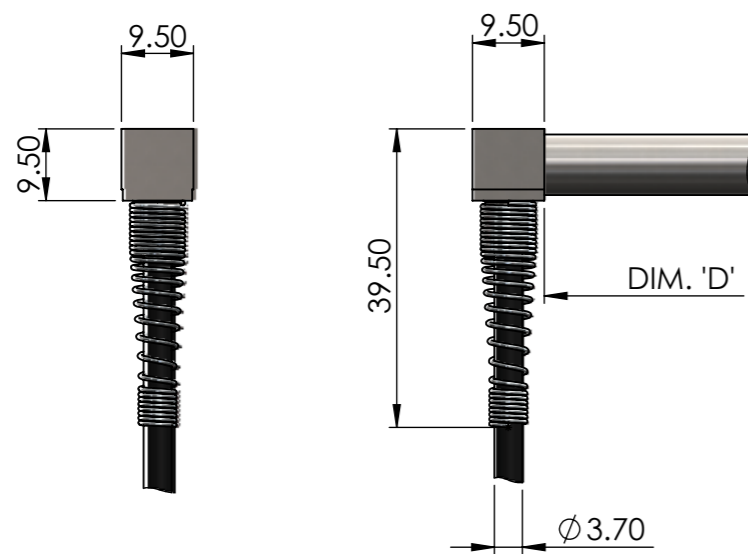
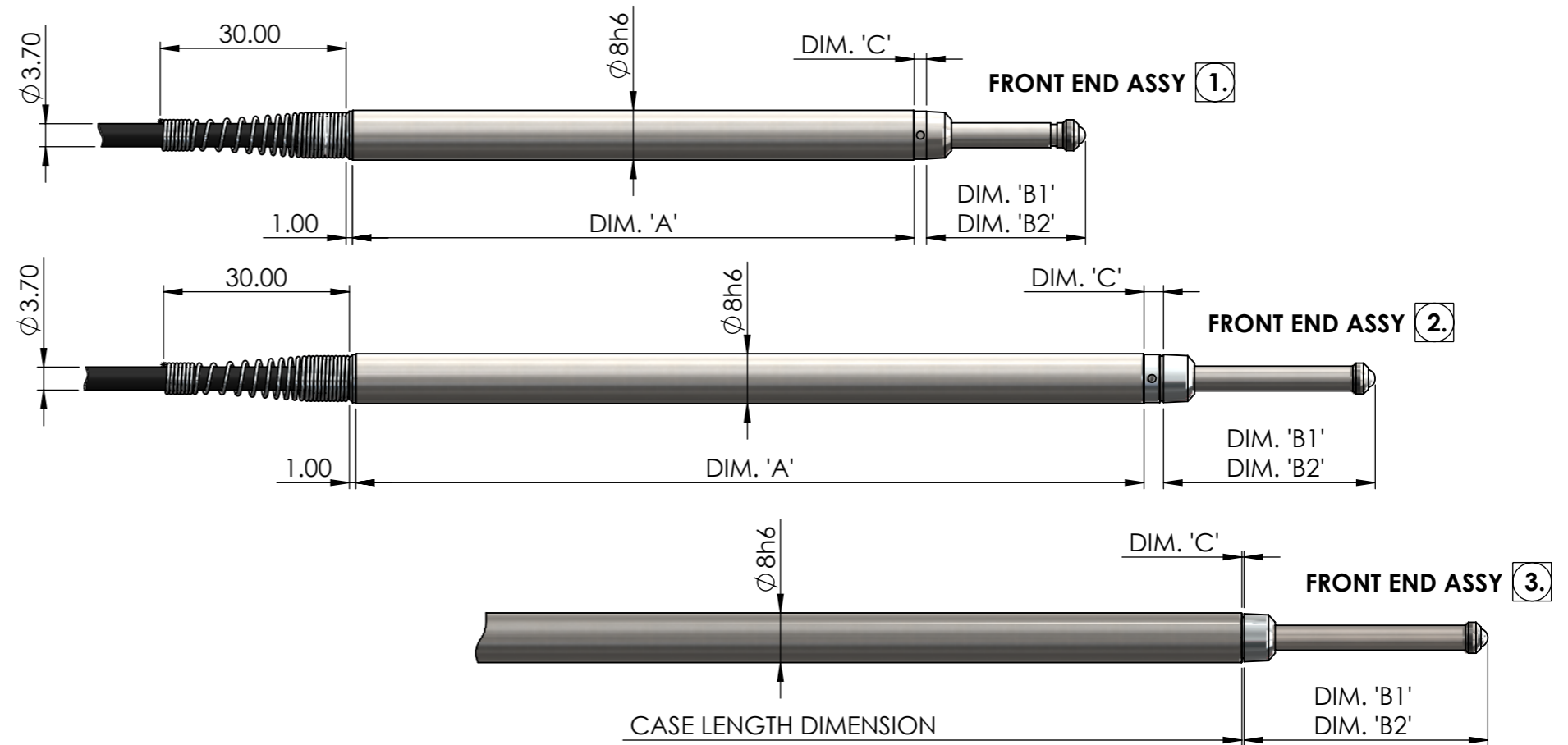


3D MODEL GUIDE		
RANGE	DT SPRING PUSH	
	AXIAL	R/A
2mm	540002-320	540002-350
5mm	540002-321	540002-351
10mm	540002-322	540002-352
20mm	540002-342	540002-353
30/5mm	-	540002-319



RADIAL CABLE OUTLET OPTION 'R/A'

MEASUREMENT RANGE	2mm	5mm	10mm	20mm	30/5mm
CASE LENGTH AXIAL DIM. 'A'	47.50	66.50	90.50	127.00	-
CASE LENGTH R/A DIM. 'D'	33.50	52.50	76.50	113.50	126.50
FULLY EXTENDED DIM. 'B1'	14.35	18.10	25.60	34.10	39.25
PRE-TRAVEL	0.15	0.15	0.15	0.15	0.15
POST-TRAVEL	0.85	0.85	0.85	0.85	24.85
FULLY RETRACTED DIM. 'B2'	11.35	12.10	14.60	13.10	9.25
DIMENSION 'C'	2.00	2.00	2.00	3.15	0.35
FRONT END ASSY	1.	1.	1.	2.	3.

DT/S-DIGITAL FEATHER TOUCH SPRING PUSH

SOLARTRON PURSUES A POLICY OF CONTINUOUS DEVELOPMENT. SPECIFICATIONS IN THIS DOCUMENT MAY THEREFORE BE CHANGED WITHOUT NOTICE. DIMENSIONS ARE NOMINAL AND SPECIFIED IN MILLIMETRES.