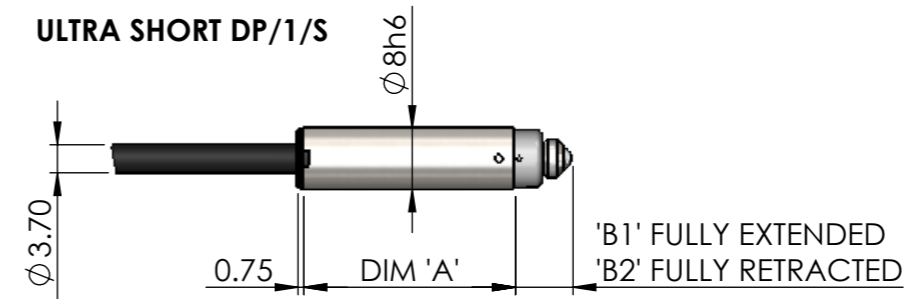
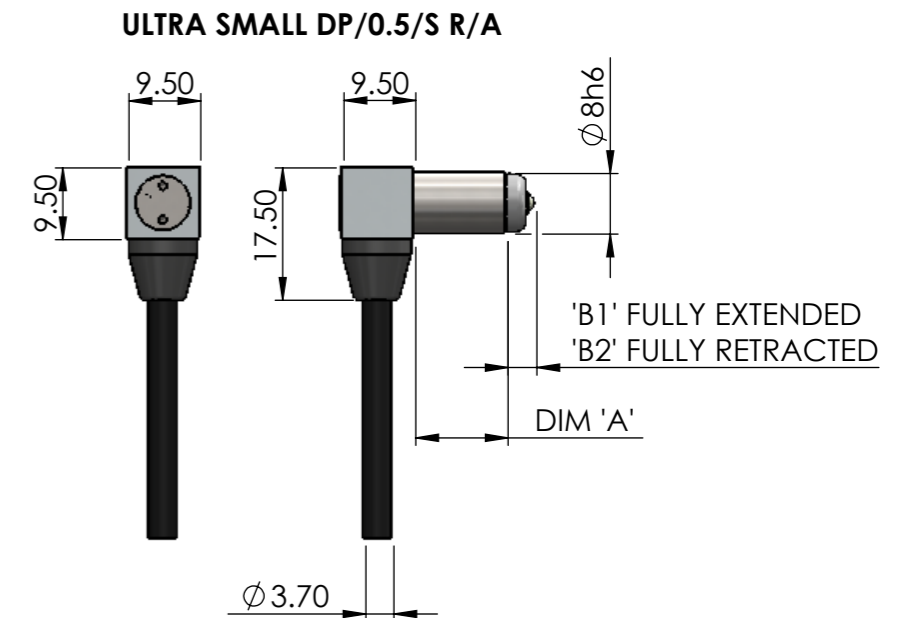
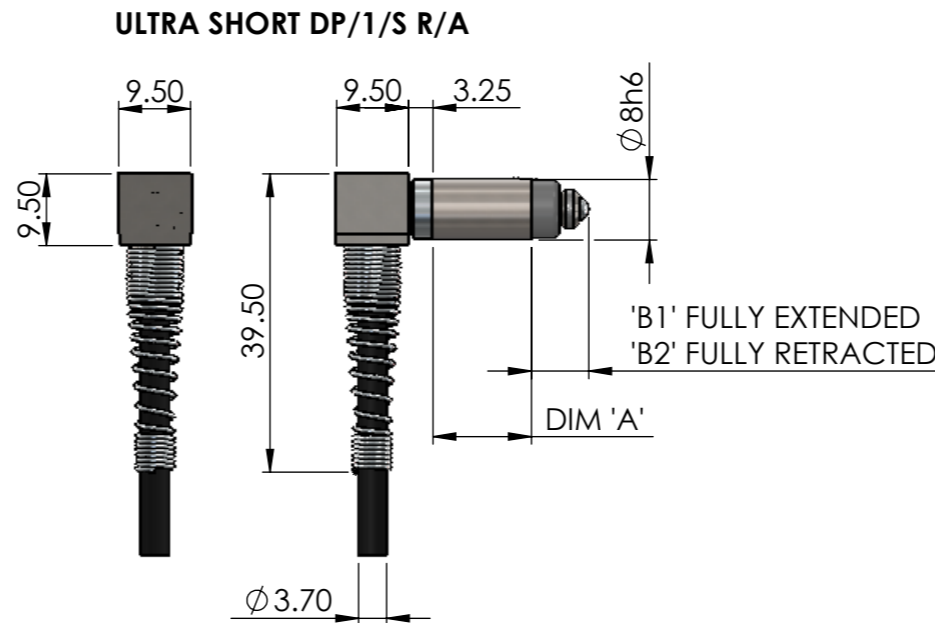


3D MODEL GUIDE		
RANGE	DP SPRING PUSH	
	AXIAL	R/A
0.5mm	-	540002-295
1mm	540002-300	540002-307



MEASUREMENT RANGE	0.5mm	1mm	1mm
CASE LENGTH AXIAL DIM. 'A'	12.20	28.00	13.00
CABLE OUTLET	R/A	AXIAL	R/A
FULLY EXTENDED DIM. 'B1'	3.80	7.50	7.60
PRE-TRAVEL	0.03	0.15	0.15
POST-TRAVEL	0.045	0.35	0.35
FULLY RETRACTED DIM. 'B2'	3.23	6.00	6.10



## DP/S-DIGITAL MINIATURE SPRING PUSH

SOLARTRON PURSUES A POLICY OF CONTINUOUS DEVELOPMENT. SPECIFICATIONS IN THIS DOCUMENT MAY THEREFORE BE CHANGED WITHOUT NOTICE. DIMENSIONS ARE NOMINAL AND SPECIFIED IN MILLIMETRES.