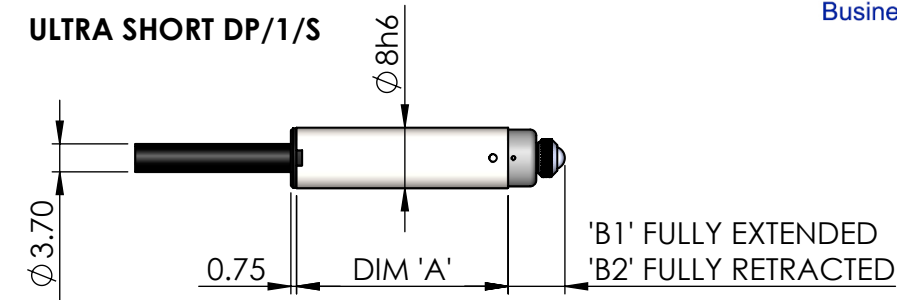


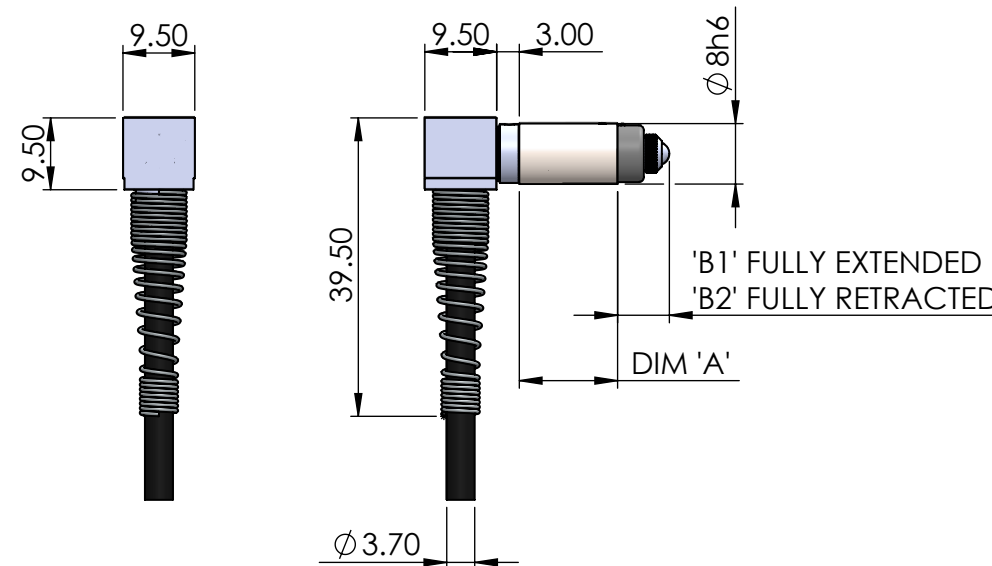


3D MODEL GUIDE		
RANGE	DP SPRING PUSH	
	AXIAL	R/A
0.5mm	-	DPR05S
1mm	DP1S	DPR1S



MEASUREMENT RANGE	0.5mm	1mm	1mm
CASE LENGTH DIM. 'A'	12.20	28.00	13.00
CABLE OUTLET	R/A	AXIAL	R/A
FULLY EXTENDED DIM. 'B1'	3.80	7.50	7.60
PRE-TRAVEL	0.03	0.15	0.15
POST-TRAVEL	0.05	0.35	0.35
FULLY RETRACTED DIM. 'B2'	3.22	6.00	6.00

ULTRA SHORT DP/1/S R/A



ULTRA SMALL DP/0.5/S R/A

