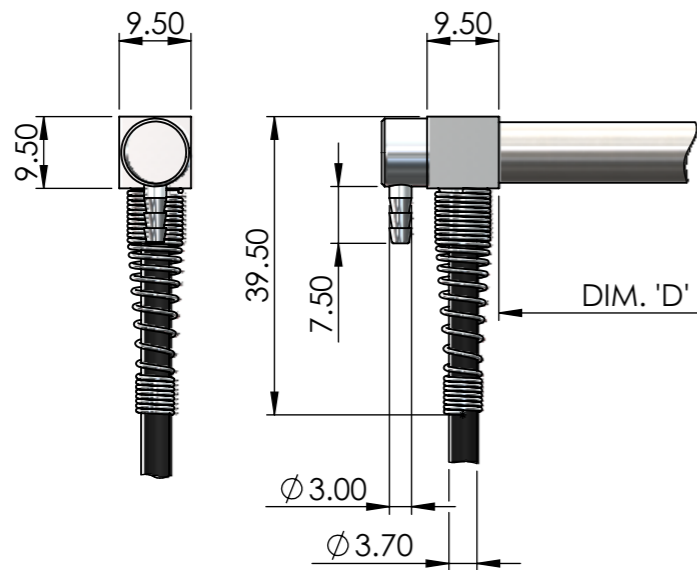
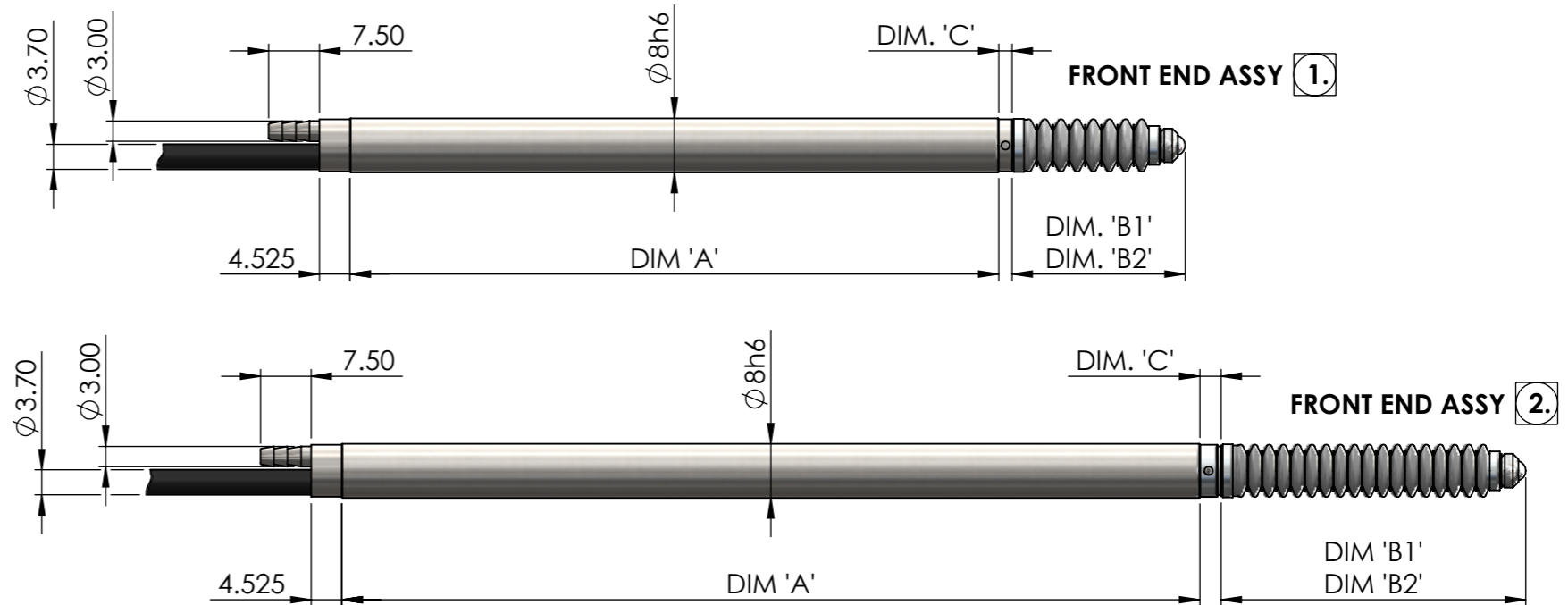


3D MODEL GUIDE		
RANGE	DP SPRING PUSH	
	AXIAL	R/A
2mm	540002-310	540002-355
5mm	540002-311	540002-356
10mm	540002-312	540002-357
10/2mm	540002-383	540002-365
12mm	540002-393	540002-394
20mm	540002-341	540002-358



RADIAL CABLE OUTLET OPTION 'R/A'

MEASUREMENT RANGE	2mm	5mm	10mm	10/2mm	12mm	20mm
CASE LENGTH AXIAL DIM. 'A'	52.50	71.00	96.00	84.00	127.00	127.00
CASE LENGTH R/A DIM. 'D'	38.50	57.50	82.50	70.50	113.50	113.50
FULLY EXTENDED DIM. 'B1'	14.35	18.10	25.60	25.60	28.60	45.10
PRE-TRAVEL	0.15	0.15	0.15	0.15	0.15	0.15
POST-TRAVEL	0.85	0.85	0.85	8.85	0.85	0.85
FULLY RETRACTED DIM. 'B2'	11.35	12.10	14.60	14.60	15.60	24.10
DIMENSION 'C'	2.00	2.00	2.00	2.00	2.00	3.15
FRONT END ASSY	1.	1.	1.	1.	1.	2.

DP/P-DIGITAL STANDARD PNEUMATIC PUSH

SOLARTRON PURSUES A POLICY OF CONTINUOUS DEVELOPMENT. SPECIFICATIONS IN THIS DOCUMENT MAY THEREFORE BE CHANGED WITHOUT NOTICE. DIMENSIONS ARE NOMINAL AND SPECIFIED IN MILLIMETRES.