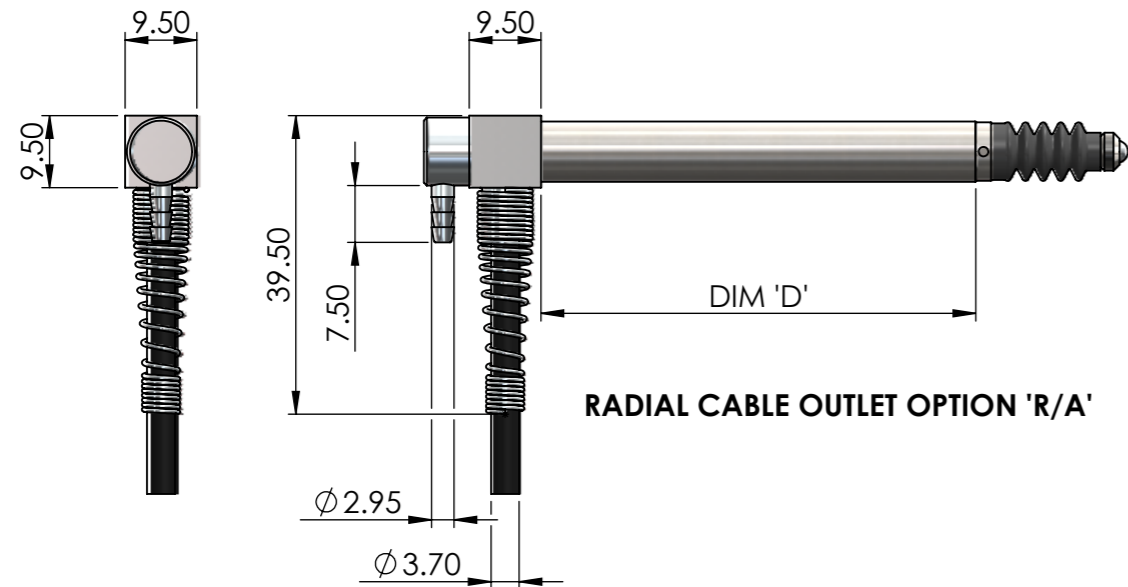
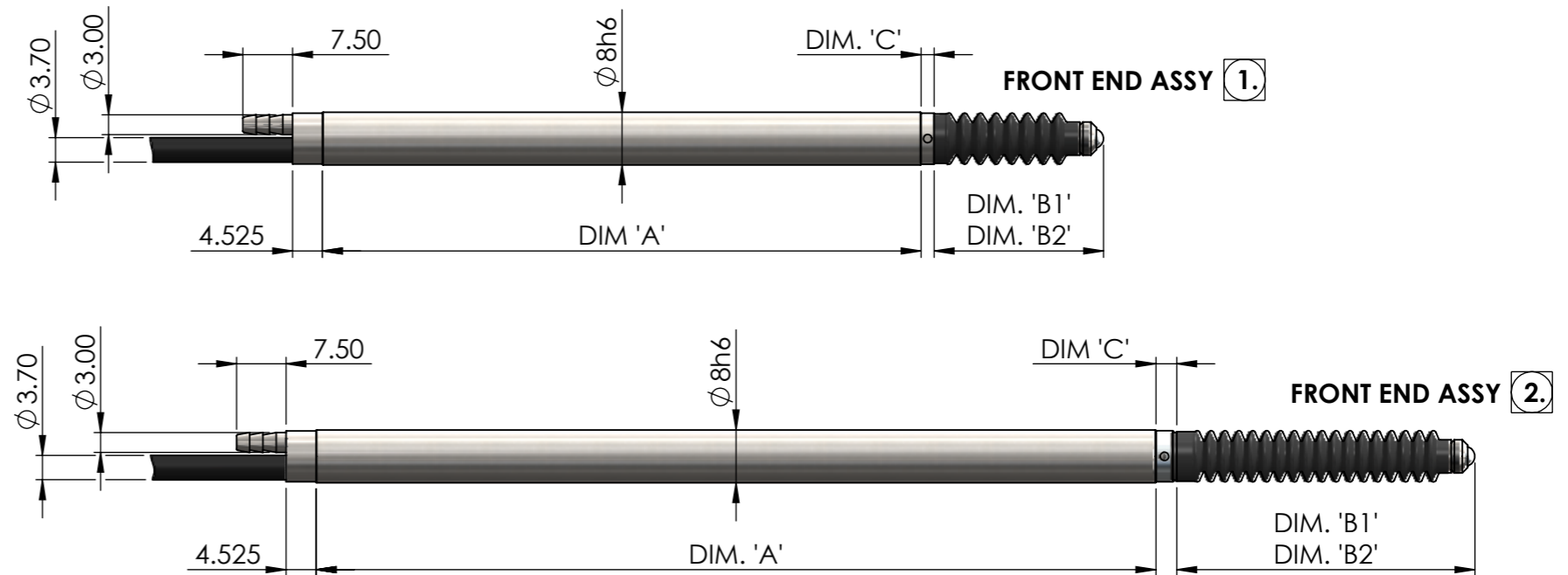


3D MODEL GUIDE		
RANGE	DP SPRING PUSH	
	AXIAL	R/A
2mm	540002-355	-
5mm	540002-356	540002-386
10mm	540002-357	-
20mm	540002-358	-



MEASUREMENT RANGE	2mm	5mm	10mm	20mm
CASE LENGTH AXIAL DIM. 'A'	47.50	66.50	90.50	127.00
CASE LENGTH R/A DIM. 'D'	-	57.50	-	-
FULLY EXTENDED DIM. 'B1'	14.35	18.10	25.60	45.10
PRE-TRAVEL	0.15	0.15	0.15	0.15
POST-TRAVEL	0.85	0.85	0.85	0.85
FULLY RETRACTED DIM. 'B2'	11.35	12.10	14.60	24.10
DIMENSION 'C'	2.00	2.00	2.00	3.15
FRONT END ASSY	1.	1.	1.	2.

DP/V-DIGITAL STANDARD VACUUM RETRACT

SOLARTRON PURSUES A POLICY OF CONTINUOUS DEVELOPMENT. SPECIFICATIONS IN THIS DOCUMENT MAY THEREFORE BE CHANGED WITHOUT NOTICE. DIMENSIONS ARE NOMINAL AND SPECIFIED IN MILLIMETRES.