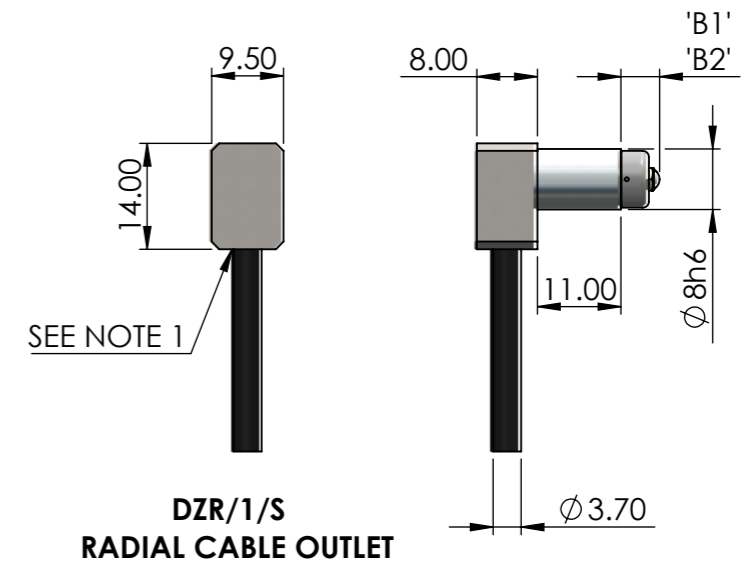
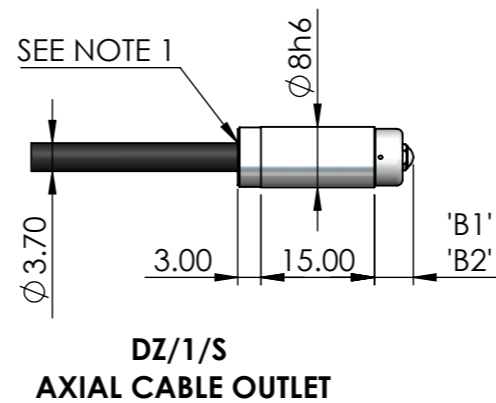
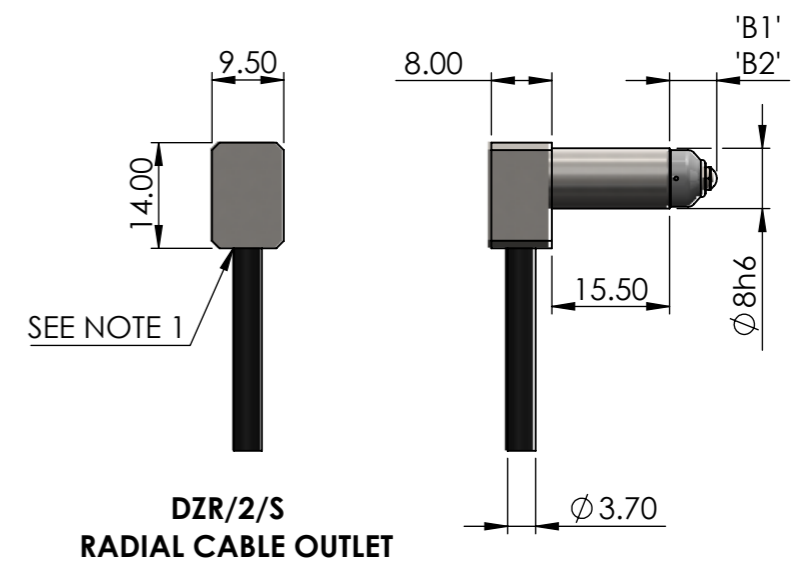
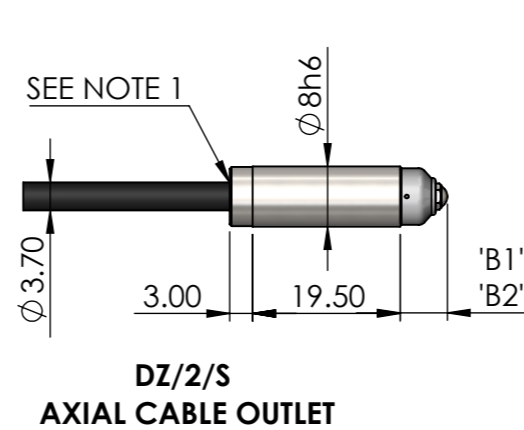


3D MODEL GUIDE		
RANGE	DP SPRING PUSH	
	AXIAL	R/A
1mm	<a href="#">540002-370</a>	<a href="#">540002-375</a>
2mm	<a href="#">540002-371</a>	<a href="#">540002-376</a>



MEASUREMENT RANGE	1mm	1mm	2mm	2mm
CABLE OUTLET	AXIAL	R/A	AXIAL	R/A
FULLY EXTENDED DIM. 'B1'	5.15	5.15	6.25	6.25
PRE-TRAVEL	0.15	0.15	0.15	0.15
POST-TRAVEL	0.35	0.35	0.35	0.35
FULLY RETRACTED DIM. 'B2'	3.65	3.65	3.75	3.75



NOTE:-

1. A SMALL FILLET OF ADHESIVE MAY BE EVIDENT IN THIS AREA.

## DZ/S-DIGITAL COMPACT SPRING PUSH

SOLARTRON PURSUES A POLICY OF CONTINUOUS DEVELOPMENT. SPECIFICATIONS IN THIS DOCUMENT MAY THEREFORE BE CHANGED WITHOUT NOTICE. DIMENSIONS ARE NOMINAL AND SPECIFIED IN MILLIMETRES.