



SCIGATE AUTOMATION (S) PTE LTD

No 1 Bukit Batok Street 22 #01-01 Singapore 659592

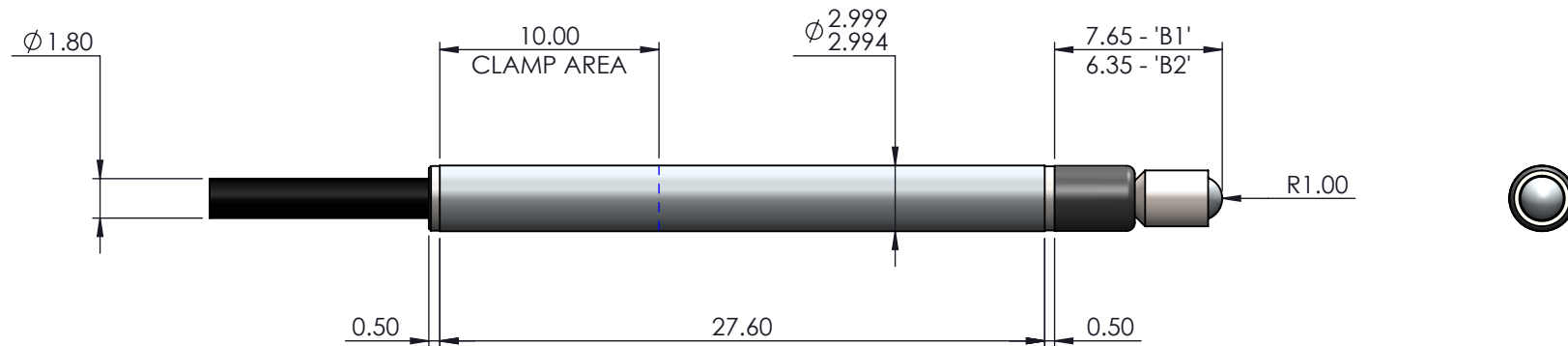
Tel: (65) 6561 0488

Fax: (65) 6561 0588

Email: sales@scigate.com.sg

Web: https://scigate.com.sg/

Business Hours: Monday - Friday 8:30AM - 6:15PM



ACTUAL SIZE (SCALE 1:1)

NOTES:-
DIM 'B1' - IN FULLY EXTENDED BEARING POSITION
DIM 'B2' - IN FULLY RETRACTED BEARING POSITION

<p>STEYNING WAY • BOGNOR REGIS • SUSSEX • ENGLAND • PO22 9ST</p>	DRAWING NUMBER	TITLE	E.D.C.R.	22388
	540002-384	D3P/1/S ASSY	ISSUE	2
SOLARTRON PURSUES A POLICY OF CONTINUOUS DEVELOPMENT. SPECIFICATIONS IN THIS DOCUMENT MAY THEREFORE BE CHANGED WITHOUT NOTICE. DIMENSIONS ARE NOMINAL AND SPECIFIED IN MILLIMETRES				