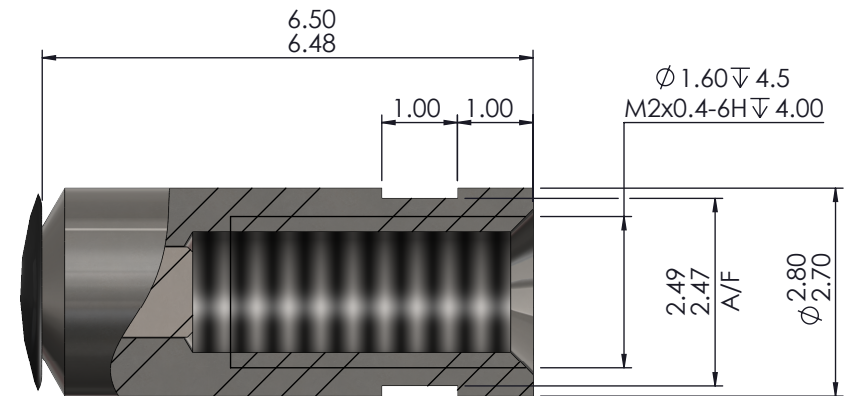


SCIGATE AUTOMATION (S) PTE LTD

No 1 Bukit Batok Street 22 #01-01 Singapore 659592  
 Tel: (65) 6561 0488 Fax: (65) 6561 0588  
 Email: sales@scigate.com.sg Web: https://scigate.com.sg/  
 Business Hours: Monday - Friday 8:30AM - 6:15PM



TIP HOLDER DETAIL 'A' SCALE 10 : 1

NOTE:-  
 1. PROVISIONAL DRAWING FOR CUSTOMER APPROVAL ONLY.

 STEYNING WAY • BOGNOR REGIS • SUSSEX • ENGLAND • PO22 9ST	DRAWING NUMBER	TITLE	E.D.C.R.	22341
	540002-404	D3P/1/S EXTENDED TIP HOLDER	ISSUE	2
SOLARTRON PURSUES A POLICY OF CONTINUOUS DEVELOPMENT. SPECIFICATIONS IN THIS DOCUMENT MAY THEREFORE BE CHANGED WITHOUT NOTICE. DIMENSIONS ARE NOMINAL AND SPECIFIED IN MILLIMETRES				