

BY3022 Fanless Embedded Box PC with Intel® Celeron® N2930 Processor

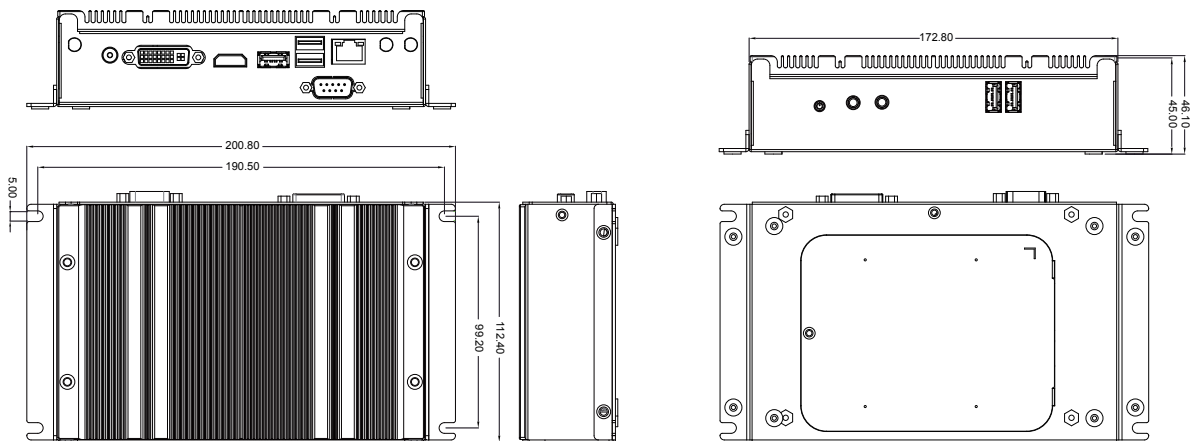
BY3022 Box PC with Multiple Video Outputs

BY3022



Features:

- Intel® Celeron® Processor N2930 Quad-core (2M Cache, 1.83 GHz)
- Compact Size and Light Weight
- 1 GbE, HD Audio, 5 USB, 1 COM, DVI-I, HDMI, 2 Mini PCIe (for WLAN & 3G Module)
- Supports 1 SATA HDD/SSD (2.5"), 1 mSATA
- -20~60° C Operating Temperature



* Note: this is a simplified drawing and some components are not marked in detail. Please contact our sales representative if you need further product information.

System Specification

Processor	: Intel® Celeron® Processor N2930
BIOS	: UEFI
System Chipset	: N/A
System Memory	: DDR3L 1333 MHz SDRAM (1.35 V only), Default 4GB, Max up to 8GB
Graphic Chipset	: Intel® HD Graphics
Ethernet	: 1 GbE LAN, Realtek RTL8111G, 10/100/1000 Mbps
Audio	: Realtek ALC662, High Definition Audio (HD)
USB	: 1 USB 3.0, 4 USB 2.0
Serial	: 1 COM (RS-232)
Expansion Slot	: 1 Half-size slot / WIFI module (optional) 1 Full-size slot (USB and mSATA signal) / 3G module (optional)
Storage	: 2.5" HDD / SSD (Default 64GB SSD optional Max to 256GB) 1 (mSATA shared with full-size Mini PCIe slot)

I/O Connectors

Rear External I/Os	: 1 x DVI-I (Up to 1920 x 1080) 1 x HDMI (Supports 1920 x 1080, v1.3 up to 1080p) 1 x USB 3.0 2 x USB 2.0 1 x COM (RS-232) 1 x LAN
Front External I/Os	: 2 x USB 2.0 1 x Line out, 1 x Mic in 1 x Power on Button



Mechanical Specification

Construction	: Aluminum housing
Mouting	: Desktop/wall-mounting
Dimension	: 172.8 x 46.1 x 112.4 mm (6.80" x 1.81" x 4.43")
Weight	: 0.91 kg (2.0 lb)

Power Supply

Power Consumption	: 0.72 A @ 12 V (8.64 W)
Power Adaptor	: AC-to-DC, 12 V @ 5 A, 60 W

Packing List

1 x BY3022	1 x DVI to VGA dongle
1 x Driver CD	1 x Power Adaptor
2 x Mounting bracket	(AC-to-DC, 12 V @ 5 A, 60 W)

Order Information

BY3022	: Intel® N2930 1.83 GHz Processor, w/ HDMI, DVI, 5 USB, 1 GbE, 1 COM
--------	--

Environmental Specification

Operation Temperature	: -20~60° C (-4~140° F) w/ 2.5" SSD (Humidity: 60° C @80% RH non-condensing)
Non-Operational	: -40~85° C (-40~185° F) w/ 2.5" SSD (Humidity: 60° C @ 80% RH non-condensing)
Vibration	: 5 Grms, IEC 60068-2-64, random, 5~500 Hz, 1 Oct/min., 1hr/axis, x, y, z 3 axes (w/ SSD) 1 Grms, IEC 60068-2-64, random, 5~500 Hz, 1 Oct/min., 1hr/axis, x, y, z 3 axes (w/ 2.5" HDD)
Shock	: 50 G, IEC 60068-2-27, half sine, 11 ms duration (w/ SSD only) 20 G, IEC 60068-2-27, half sine, 11 ms duration (w/ 2.5" HDD)