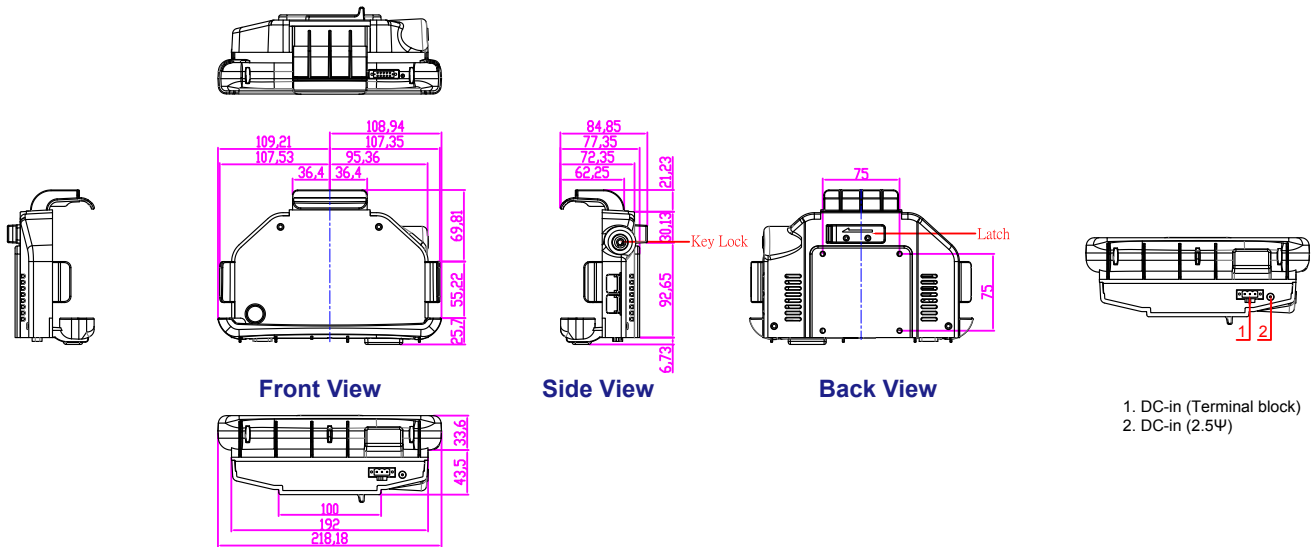


Product Features:

- Hold the Tablet tightly on the moving vehicle
- Lockable design to avoid Tablet be taken away (with key)
- Support both terminal block & 2.5 Ψ power jack input
- 9~36V DC-in wide range DC input
- IP52 design (Rain proof)



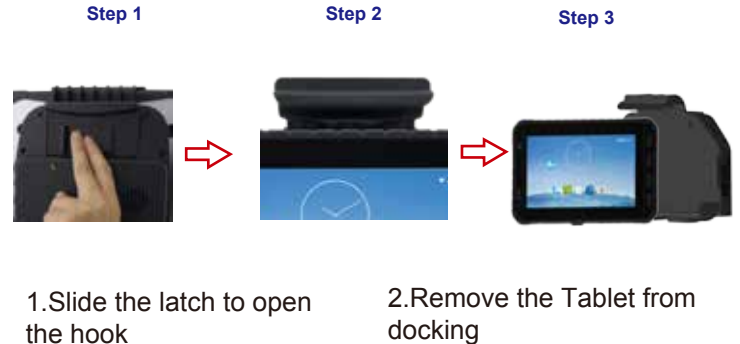
Mechanical Drawing



One hand docking :



One hand undocking :



Specification

Dimension	150.73 x 218.15 x 84.85 mm
Power Input	9~36V DC
Mounting	75 x 75mm VESA Holes
Vibration	MIL Std. 810G, 5 ~ 500Hz, 2.24G

Accessories:	
Default	Cigar Head Cable VESA Screw x 6

