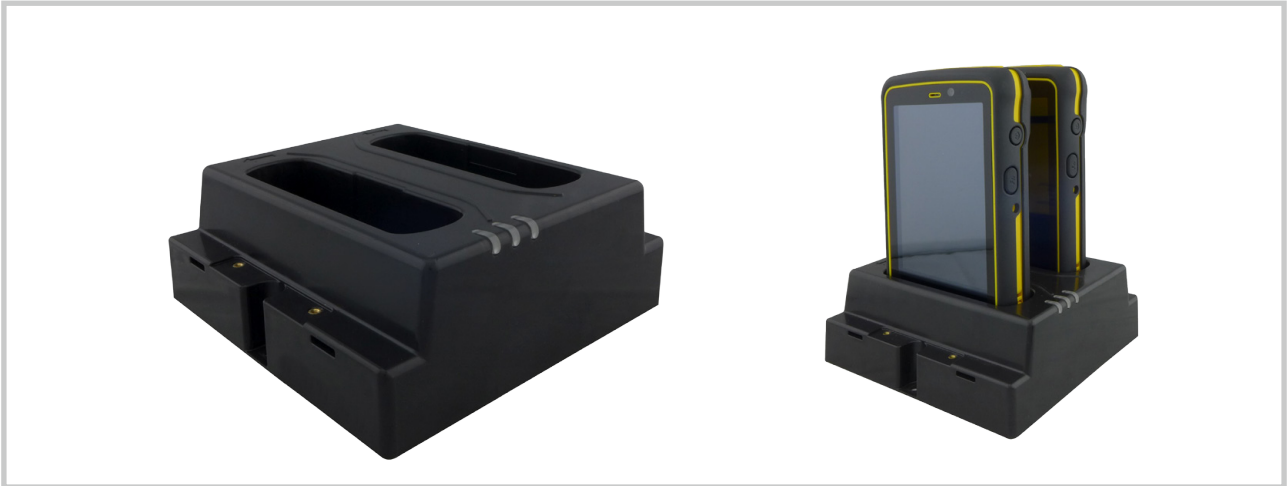


DD-E43R-2

E430R Series Charging Dock

Part Number: 98K000A0003Y

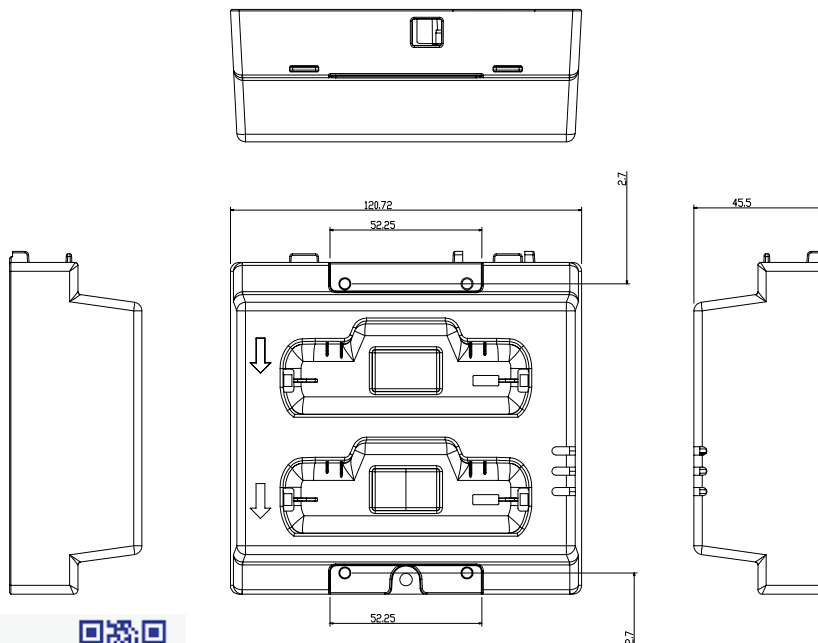


Specification:

MD-E430	
I/O Ports	Remark
1 Charging Slot x 2	PoGo Pin Type
2 LED Light x 3	Show Power level
3 DC in x 1	12V / 4.16A DC in



Mechanical Drawing:



SCIENCE GATE
Your Automation Partner



SCIGATE AUTOMATION (S) PTE LTD

No.1 Bukit Batok Street 22 #01-01 Singapore 659592
Tel: (65) 6561 0488 Fax: (65) 6562 0588
Email: sales@scigate.com.sg Web: www.scigate.com.sg

Business Hours: Monday - Friday 8.30am - 6.15pm

