

Embedded Computer

EAC PRO-IK90

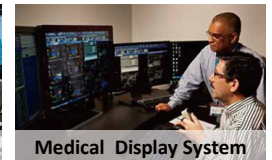
EAC PRO-IK90 with 6th Generation Intel® Xeon E3 or Core™ i7/i3 processors and C236 chipset offers high performance computing power and outstanding video processing. Abundant I/O ports and PCI/ PCIe expansion make EAC PRO-IK90 suitable for Factory Automation, Machine Vision, Surveillance, Machine Automation and other high-performance applications.

Product Features

- 6th Generation Intel® Xeon E3, Core™ i7/i3 Processors
- HD 4K resolution & 4U Height Design
- Flexibility, Connectivity and Multi-Expansion
- High Storage Density & Easy Maintenance
- 9-36V Wide voltage and -15 to 55 Celsius degrees wide temperature

Optional Configuration

- **Optional Processor**
EAC PRO-IK90-E
 Intel® Xeon E3-1268L V5
EAC PRO-IK90-7
 Intel® Core™ i7-6700TE
EAC PRO-IK90-3
 Intel® Core™ i3-6100TE
- **Optional Memory DDR4**
 2 Channels 8GB to 32GB DDR4 -2133 SODIMM w/ECC or w/o ECC
- **Optional Storage**
 2.5" HDD 500GB 7200rpm SATAIII
 2.5" HDD 1TB 7200rpm SATAIII
 2.5" SSD 128GB/256GB/512GB SATAIII
 CFast 2.0 16GB/32GB/64GB/128GB/256GB
- **Optional Mounting**
 Panel Mount
 Table Mount
- **Default Adapter**
 12V/220W AC-DC Adapter

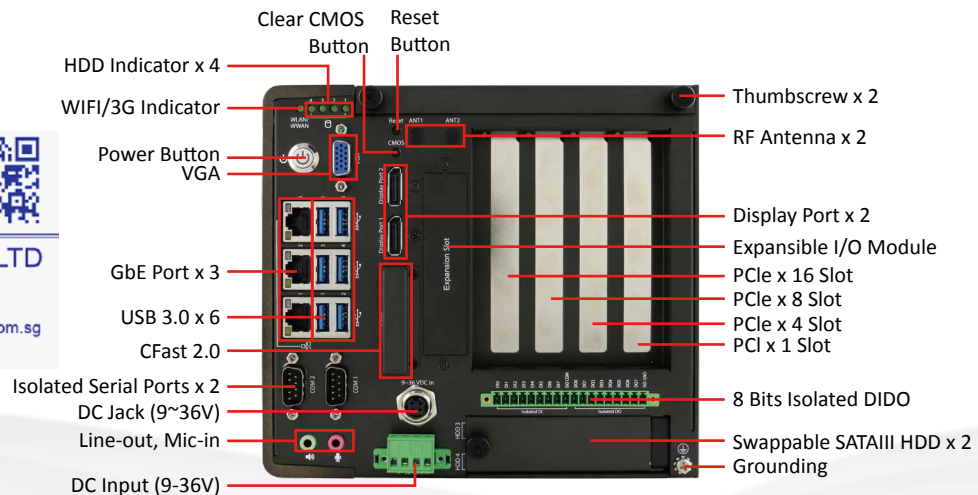


Ordering Information

- **Backplane Board**
EAC PRO-IK90-E / -7 / -3
 SKU1 (1 PCIe x16, 1 PCIe x8, 1 PCIe x4, 1 PCI)
 SKU2 (1 PCIe x 16, 1 PCI, 1 PCI, 1 PCI)

EAC PRO-IK90 I/O

SCIGATE AUTOMATION (S) PTE LTD
 No.1 Bukit Batok Street 22 #01-01 Singapore 659592
 Tel: (65) 6561 0488 Fax: (65) 6562 0588
 Email: sales@scigate.com.sg Web: www.scigate.com.sg
 Business Hours: Monday - Friday 8.30am - 6.15pm



Product Specifications

Processor system	
CPU	Intel® Xeon E3-1268L V5 Processor (8M Cache, 2.4 GHz up to 3.40 GHz) 35W
	Intel® Core™ i7-6700TE Processor (8M Cache, 2.4 GHz up to 3.40 GHz) 35W
	Intel® Core™ i3-6100TE Processor (4M Cache, 2.70 GHz) 35W
System Chipset	Intel® C236 PCH
Graphics Engine	Intel® HD Graphics P530/530
BIOS	AMI UEFI
Memory	
	2 x Slots DDR4 2133 MHz, Default w/o ECC (up to 32GB option)
Socket	260-Pin SODIMM
Storage	
SATAIII	2 x External 2.5" SATA 3.0 (6Gb/s) 2 x Internal 2.5" SATA 3.0 (6Gb/s) Support RAID 0/1/5/10
CFast	1 x CFast 2.0
Output Video I/O	
VGA	1 x VGA, 1920x1200@60Hz D-Sub 15pin
DP	2 x Display Ports 1.2, up to 4096x2304@60Hz, female connector with lock
Active three display	VGA+DP+DP
External I/O	
USB	6 x USB3.0, USB Type A (1A/5W)
Serial Port	2 x COM ports (RS-232/422/485) w/Isolation D-Sub 9, switch by SW (RS-232/422/485)
Ethernet	3 x Giga LAN RJ45 Connector (2 x intel I210 and 1 x I219 PHY) intel iAMT 11.0, Wake On LAN
DI/DO	
Digital input	8ch dry contact DI0~DI7, 1.5kV Isolation Logic 1 : Open ; Logic 0 : close to GND
Digital output	8ch DO0~DO7, 1.5kV Isolation, 20mA max/channel by internal com 12V or 5V
WDT	Watch Dog Timer supported
Audio	
Codec	Audio Codec ALC283
Connectors	Line Out, Mic in (3.5mm Jack)

Internal I/O	
USB	2 x USB2.0 Pin header 1 x USB3.0 type A
Serial Port	2 x RS-232 pin header 2 x UART pin header
PS/2	1 x PS/2 pin header
Parallel Port	1 x LPT port pin header
Mini PCIE	2 x Mini PCIE socket (Full size)
SIM	1 x Mini SIM slot
Expansion Slot	
SKU1	1 PCIe x16, 1 PCIe x8 ,1 PCIe x4 , 1 PCI
SKU2	1 PCIe x 16, 1 PCI , 1 PCI , 1 PCI
Power Management	
Power input	9V to 36V DC-in , 4-Pin Terminal Block/DC Jack , Max : 220W (Either one)
Power Consumption	Max : 50W (w/o external I/O and PCI/ PCIe Cards)
Power Board	Support to 200W
Others	
LED indicator	4 x HDD, 1 x Wi-Fi/3G
Button	1 x Power Button w/ LED 1 x Clear CMOS Button 1 x Reset Button
Environment	
Operation Temp.	0° ~ 40° C (32° ~ 104°F) (with HDD) 0° ~ 50° C (32° ~ 122°F) (with SSD /CFast) -15° ~ 55° C (-5° ~ 131° F) (w/Industrial SSD)
Storage Temp.	-20° ~ 60°C (-4° ~ 140°F)(excl.HDD/SSD/CFast)
Intelligent FAN	80 x 80 mm
Certificate	
EMC & Safty	CE / FCC
Mechanical	
Dimensions	195 (W) x 177 (H) x 225 (D) mm
Weight	5.23kg (excl. PCIe card, storage, RAM etc.)
Mounting	Panel Mount (Optional), Table Mount (Optional)
Operating System	Windows 10 IoT Enterprise (64b) Windows Embedded 8.1 Industry Pro (64b) Windows Embedded Standard 7 (WS7P) 64-bit Windows 7 Pro for Embedded Systems 64-bit

Mechanical Drawing

