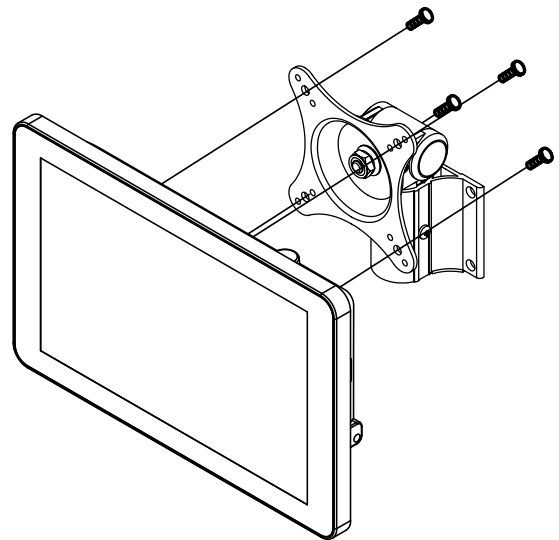


# VESA Wall Mount Bracket (for 7", 10.1" and 15" S-Series HMI)

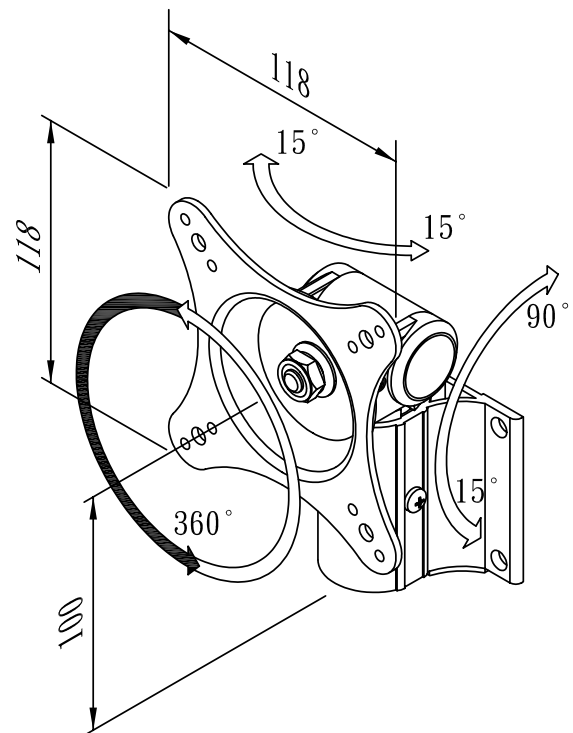
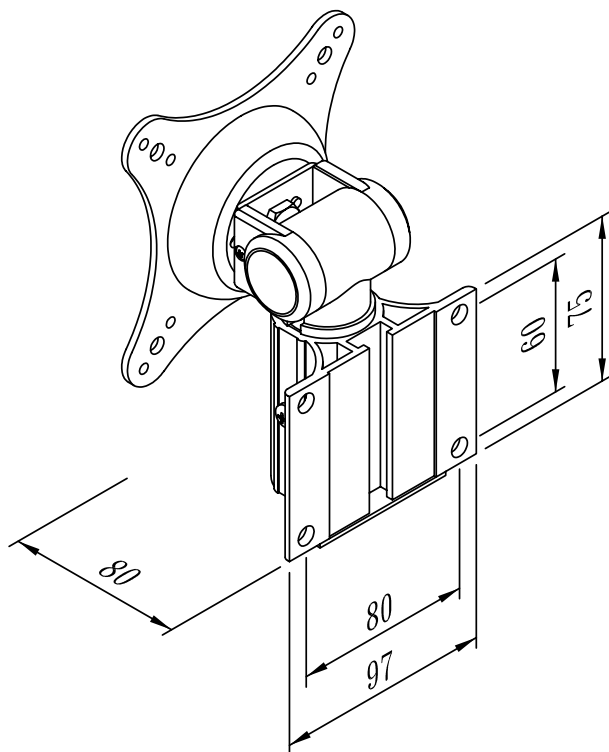
Model Name: LA-106  
Part Number: 9B0000000412

## Features:

- Spinning around high and mighty; able to bear 5 kg to 12kg
- Providing 2 mounting space in coordination with VESA standard: 75mm x 75mm and 100mm x 100mm
- The angle of view was designed adjustable for clear vision
- Flexible angle
- Regulate as you want to make more space

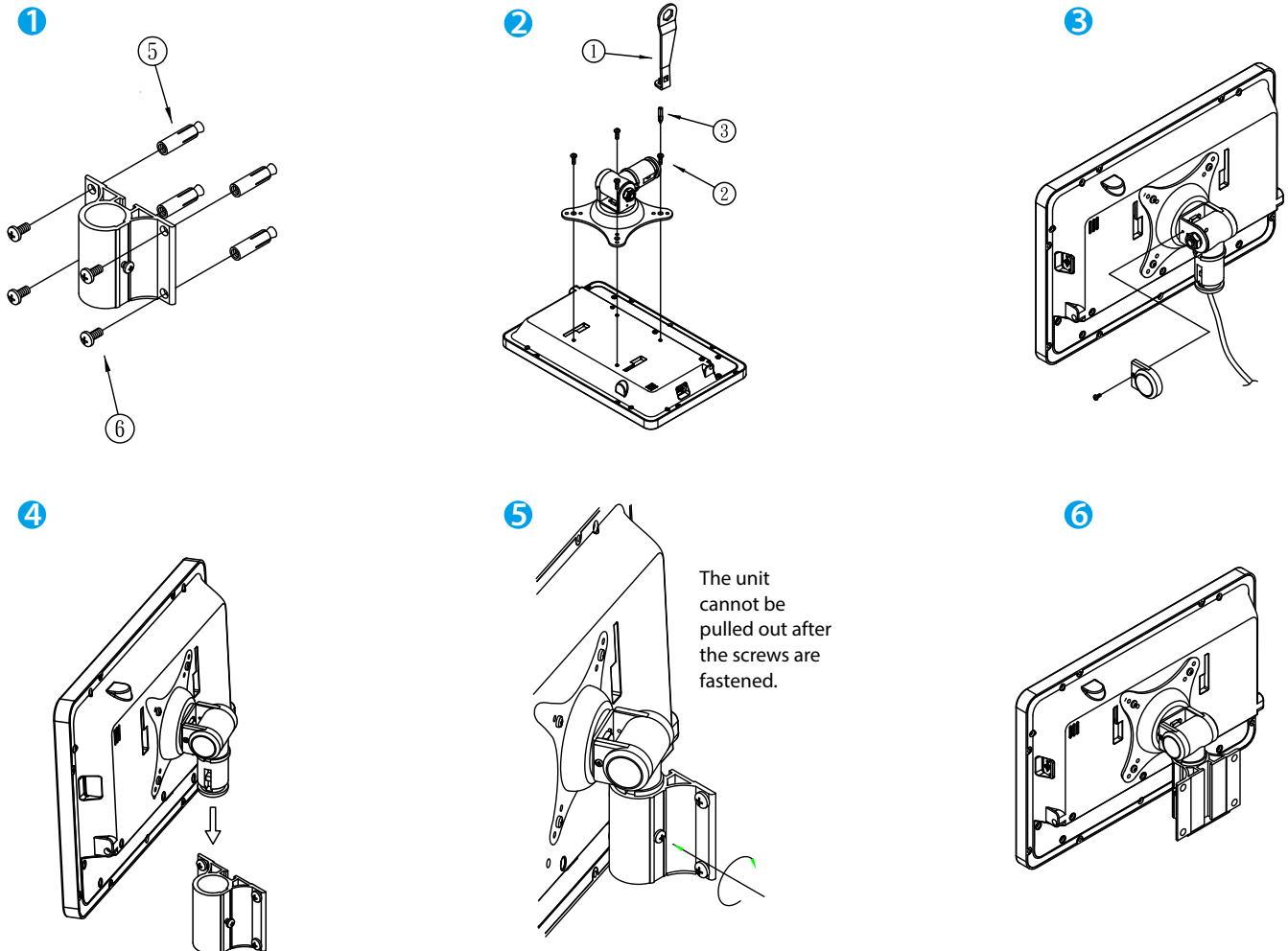


## Mechanical Drawing:



# VESA Wall Mount Bracket (for 7", 10.1" and 15" S-Series HMI)

## Mounting Guide:



### Notice:

The adjustment of the screw has been made before out of the factory.

Loosening the screw will cause the stand bent downwards.

Please note if the unit will be hit.




**SCIGATE AUTOMATION (S) PTE LTD**  
 No.1 Bukit Batok Street 22 #01-01 Singapore 659592  
 Tel: (65) 6561 0488 Fax: (65) 6562 0588  
 Email: sales@scigate.com.sg Web: www.scigate.com.sg  
 Business Hours: Monday - Friday 8.30am - 6.15pm

