

# 10.1" Rugged Tablet PC (with HF RFID)

M101B-HF

## Product Features: (with HF RFID)

- 10.1" 1920x1200 IPS LED Panel with P-Cap Touch
- Long battery life with Intel® BayTrail-M processor
- IP65 water and dust proof
- Built-in HF RFID 13.56MHz Reader Technology
- Dual Camera Design: 5MP Main camera with LED flash / 2MP Webcam
- Optional Expansion port for USB / RS232 connection
- Hot-Swappable Battery Design / Optional high capacity battery pack
- 2 Programmable function keys
- Computrace® theft protection support
- With Optical Bonding for Sunlight Readability
- SOTI MobiControl compatible



CE FC EN60601

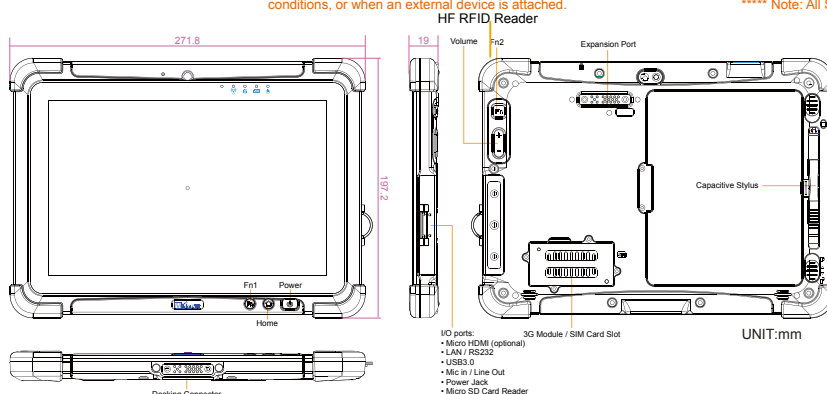
## Product Specifications:

System Specification	Processor	Intel Celeron Quad-Core N2930 1.83GHz
	System Memory	4GB SODIMM DDR3L-1600 (up to 8GB)
	Storage	64GB mSATA MLC SSD (up to 256GB)
	Operating System	Windows 10 IoT Enterprise Windows Embedded 8.1 Industry Pro Windows Embedded Standard 7 Windows 7 Pro for Embedded Systems
Display Specification	Size / Technology	10.1-inch IPS LED backlight
	Resolution	1920x1200 WUXGA
	Brightness	700 nits typ. With Optical Bonding for Sunlight Readability
	Touch	Multi-Touch Projective Capacitive
	Contrast Ratio	800:1
Wireless Communication	WLAN	802.11 a/b/g/n
	Bluetooth	Bluetooth 4.0 Dual Mode (Classic + Low Energy) Class I
	GPS	u-Blox Neo-6Q
	WWAN	Optional 4G (LTE,HSPA+,GSM/GPRS/EDGE,EV-DO Rev A, 1xRTT) or optional 3G (HSPA+,GSM/GPRS/EDGE)
System I/O Buttons Indicators Sensors	Audio	1 x Built-in Mic, 2 x 1W Speaker
	External I/O	1 x Micro HDMI (optional), 1 x 30-pin Combo Conn (Giga-LAN or RS232), 1 x USB3.0, 1 x Audio Combo Conn. (Mic in / Line Out), 1 x Power Jack, 1 x Micro SD Slot
	Buttons	1 x Power, 1 x Home, 2 x Programmable Function Key, 2 x Volume Key
	LED Indicators	Power, Battery, HDD, RF
	Sensors	Light sensor, G sensor, Gyrometer, E-compass
Security	Security	Password security for user and hard disk lock Kensington lock slot Trusted platform module (TPM) V1.2 Computrace® theft protection support
	Mobile Device Management	SOTI MobiControl compatible
Data Capture	Camera	5MP Auto-Focus Camera with LED Flash at rear / 2MP Camera at front side
	RFID	Built-in HF RFID 13.56MHz Reader Technology
Mechanical and Environment	Dimension (W x L x H)	271.8 x 197.2 x 19 mm (10.7 x 7.76 x 0.75 inches)
	Weight	1.2 kg (2.7 lbs) with standard battery, 1.4 kg (3.1 lbs) with optional high capacity battery
	Operating Temperature	-20°C to 60°C (AC mode), -10°C to 50°C (Battery mode)
	Storage Temperature	-30°C to 70°C (-22°F to 158°F)
	Humidity	10 to 90% RH, non-condensing
	IP Proof	IP65
	Shock	MIL-STD-810G Method 516.6 Procedure I
	Vibration	MIL-STD-810G Method 514.6 Procedure I
Power Management	Power Input	12-19V DC
	Battery	7.4V, typ. 5140 mAh Li-Polymer Battery (2S1P) 7.4V, typ. 10280 mAh Li-Polymer Battery (2S2P, optional)
	Battery Operating Time	Std. Battery: 8 hours*** High Capacity Battery: 16 hours***
	Adapter	100-240V, 50-60Hz / 19V DC



**SCIGATE AUTOMATION (S) PTE LTD**  
 No. 1 Bukit Batok Street 22 #01-01 Singapore 659592  
 Tel: (65) 6561 0488 Fax: (65) 6562 0588  
 Email: sales@scigate.com.sg Web: www.scigate.com.sg  
 Business Hours: Monday - Friday 8.30am - 6.15pm

## Dimensions :



\* Note: The drop test with high-capacity battery must come with hand strap.  
 \*\* Note: EN60601 certified with optional power adapter for medical use  
 \*\*\* Note: Measured at dimming LCD brightness. Varies depending on the usage conditions, or when an external device is attached.

\*\*\*\* Note: This is a simplified drawing and some components are not marked in detail.  
 Please contact our sales representative if you need further product information.  
 \*\*\*\*\* Note: All Specifications are subject to change without prior notice.

Accessories:	
1. 19V 65W Power Adapter x 1	
2. Power Cord x 1	
3. Standard Battery x 1	
4. M101 Quick Start Guide x 1	
5. Manual & Driver CD x 1	
6. Capacitive Stylus x 1	
RFID Reader	
Support Transponder:	
ISO15693, ISO14443A, ISO18092	
RF Transmit Frequency:	
13.56MHz	
Order Information:	
M101B-HF	HF RFID
M101B-3HF	HF RFID + 3G
M101B-LHFE	HF RFID + 4G/LTE for Europe
M101B-LHFA	HF RFID + 4G/LTE for North America
M101B-HFAP	With Active Pen