

10.1" Rugged Tablet PC (with UHF RFID)

M101B-UF

Product Features: (with UHF RFID)

- 10.1" 1920x1200 IPS LED Panel with P-Cap Touch
- Long battery life with Intel® BayTrail-M processor
- IP65 water and dust proof
- Support UHF RFID Reader
- Dual Camera Design: 5MP Main camera with LED flash / 2MP Webcam
- Optional 2D / 1D Barcode Reader
- Hot-Swappable Battery Design / Optional high capacity battery pack
- 2 Programmable function keys
- Optional Computrace® theft protection support
- With Optical Bonding for Sunlight Readability
- SOTI MobiControl compatible



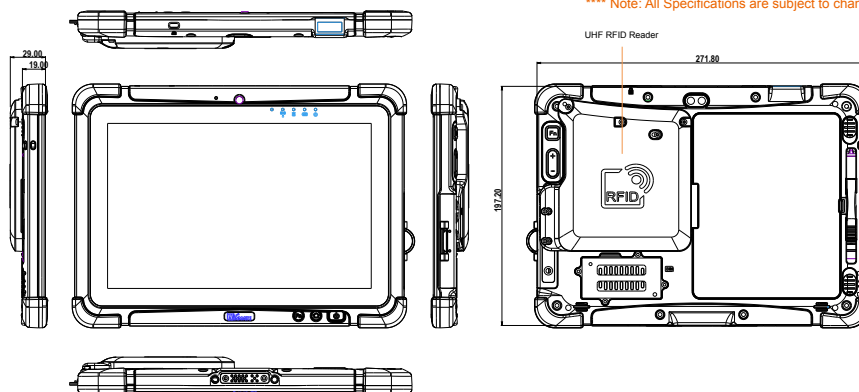
Product Specifications:

System Specification	Processor	Intel Celeron Quad-Core N2930 1.83GHz
	System Memory	4GB SODIMM DDR3L-1600
	Storage	64GB mSATA MLC SSD
	Operating System	Windows 10 IoT Enterprise Windows Embedded 8.1 Industry Pro Windows Embedded Standard 7 Windows 7 Pro for Embedded Systems
Display Specification	Size	10.1"
	Resolution	1920x1200
	Brightness	700 nits typ. With Optical Bonding for Sunlight Readability
	Touch	Projective Capacitive Touch (min 4 points)
Wireless Communication	WLAN	802.11 a/b/g/n
	Bluetooth	Bluetooth 4.0 Dual Mode (Classic + Low Energy) Class I
	GPS	U-Blox Neo-6Q
	WWAN	Optional 4G (LTE,HSPA+,GSM/GPRS/EDGE,EV-DO Rev A, 1xRTT) or optional 3G (HSPA+,GSM/GPRS/EDGE)
System I/O Buttons Indicators Sensors	Audio	1 x Built-in Mic, 2 x 1W Speaker
	External I/O	1 x Micro HDMI, 1 x 30-pin Combo Conn (LAN or RS232), 1 x USB3.0, 1 x Audio Combo Conn. (Mic in or Line Out), 1 x Power Jack, 1 x Micro SD Slot
	Buttons	1 x Power, 1 x Home, 2 x Programmable Function Key, 2 x Volume Key
	LED	Power, Battery, HDD, RF
	Sensors	Light sensor, G sensor, Gyrometer, E-compass
Security	Security	Password security for user and hard disk lock Kensington lock slot Trusted platform module (TPM) V1.2 Computrace® theft protection support
	Mobile Device Management	SOTI MobiControl compatible
Data Capture	Camera	5MP Auto-Focus Camera with 1W LED Flash at rear / 2MP Camera at front side
	UHF RFID Reader	Support EPCglobal Gen2 (ISO 18000-6C) protocol (IP-X and ISO 18000-6B optional) Read Range: 3+ meters for 2x8 cm UHF tags in unobstructed space
Mechanical and Environment	Dimension (W x L x H)	271.8 x 197.2 x 19 mm (10.7 x 7.76 x 0.75 inches)
	Weight	1.3kg
	Operating Temperature	-20°C to 60°C (AC mode), -10°C to 50°C (Battery mode)
	Operating Humidity	10 to 90% RH, non-condensing
	IP Proof	IP65
	Shock	MIL-STD-810G Method 516.6 Procedure I
	Vibration	MIL-STD-810G Method 514.6 Procedure I
	Drop	MIL-STD-810G Method 516.6, 4 ft to concrete*
	Certifications	CE, FCC, UL 60950
	Power Input	12-19V DC
Power Management	Battery	7.4V, typ. 5140 mAh Li-Polymer Battery (2S1P) 7.4V, typ. 10280 mAh Li-Polymer Battery (2S2P, optional)
	Battery Operating Time	Std. Battery: 8 hours** High Capacity Battery: 16 hours**
	Adapter	100-240V, 50-60Hz / 19V DC



SCIGATE AUTOMATION (S) PTE LTD
 No.1 Bukit Batok Street 22 #01-01 Singapore 659592
 Tel: (65) 6561 0488 Fax: (65) 6562 0588
 Email: sales@scigate.com.sg Web: www.scigate.com.sg
 Business Hours: Monday - Friday 8.30am - 6.15pm

Dimensions :



* Note: The drop test with high-capacity battery must come with hand strap.
 ** Note: Measured at dimming LCD brightness. Varies depending on the usage conditions, or when an external device is attached.

*** Note: this is a simplified drawing and some components are not marked in detail.
 Please contact our sales representative if you need further product information.
 **** Note: All Specifications are subject to change without prior notice.

Accessories:

1. 19V 65W Power Adapter x 1
2. Power Cord x 1
3. 7.4V /min. 5100mAh Battery x 1
4. M101 Quick Start Guide x 1
5. Manual & Driver CD x 1
6. Capacitive Stylus x 1

Order Information:

M101B-UF	• FCC (NA, SA) 902-928 MHz • KCC (Korea) 917-920.8 MHz • ACMA (Australia) 920-926 MHz • SRRC-MII (P.R.China) 920-925 MHz • ETSO (EU, India) 865.6-867.6 MHz • TRAI (India) 865-867 MHz
M101B-UFna	• FCC (NA, SA) 902-928 MHz • KCC (Korea) 917-920.8 MHz • ACMA (Australia) 920-926 MHz • SRRC-MII (P.R.China) 920-925 MHz
M101B-UFeu	• ETSO (EU, India) 865.6-867.6 MHz • TRAI (India) 865-867 MHz
M101B-UFAP	• With Active Pen

Battery	Flat	Vertical
Charging	0~40°C	0~45°C
Discharging	0~45°C	0~50°C