

PDA Accessories

C350 Series Office Charging Docking

Winmate Part Number: 98K000A0001L



SCIGATE AUTOMATION (S) PTE LTD

No.1 Bukit Batok Street 22 #01-01 Singapore 659592

Tel: (65) 6561 0488

Fax: (65) 6562 0588

Email: sales@scigate.com.sg

Web: www.scigate.com.sg

Business Hours: Monday - Friday 8.30am - 6.15pm

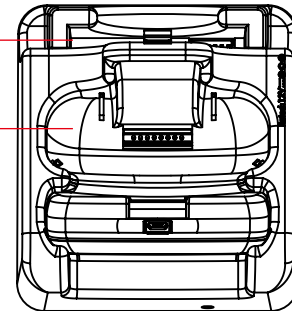


Specification:

Office Docking	
I/O Ports	Remarks
1 Pogo-pin x 1	Middle Slot, for C350
2 Battery connector x 1	Rear Slot, for Battery
3 DC in x 1	12V/ 36W DC in

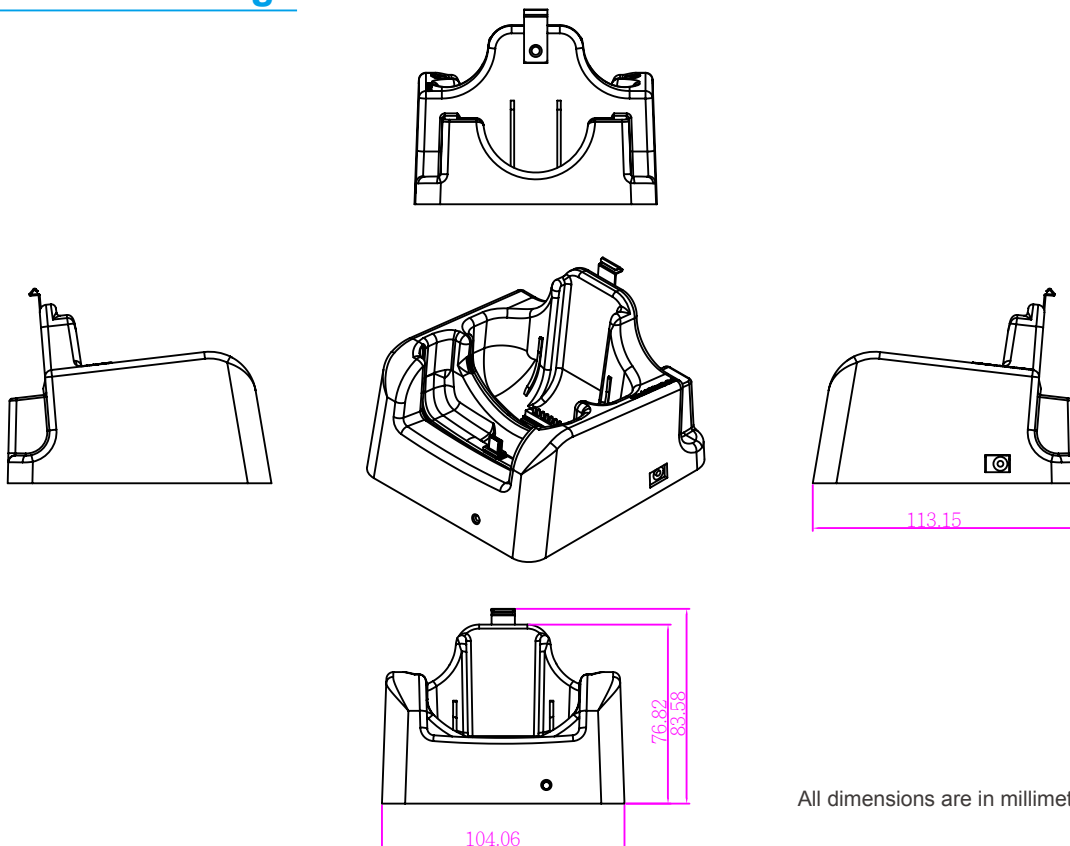
Rear Slot for Battery
(Battery Connector)

Middle Slot for C350
(Pogo-pin)



DC-in

Mechanical Drawing:



All dimensions are in millimeters.

Rev.	Reasons	Revised Date
1.0	First Release	May 23, 14