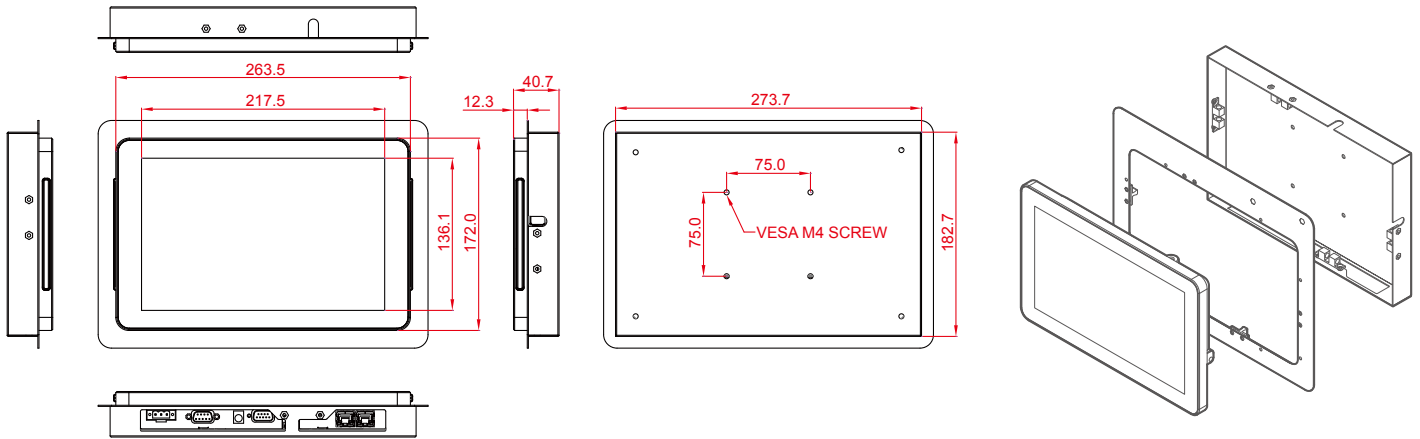


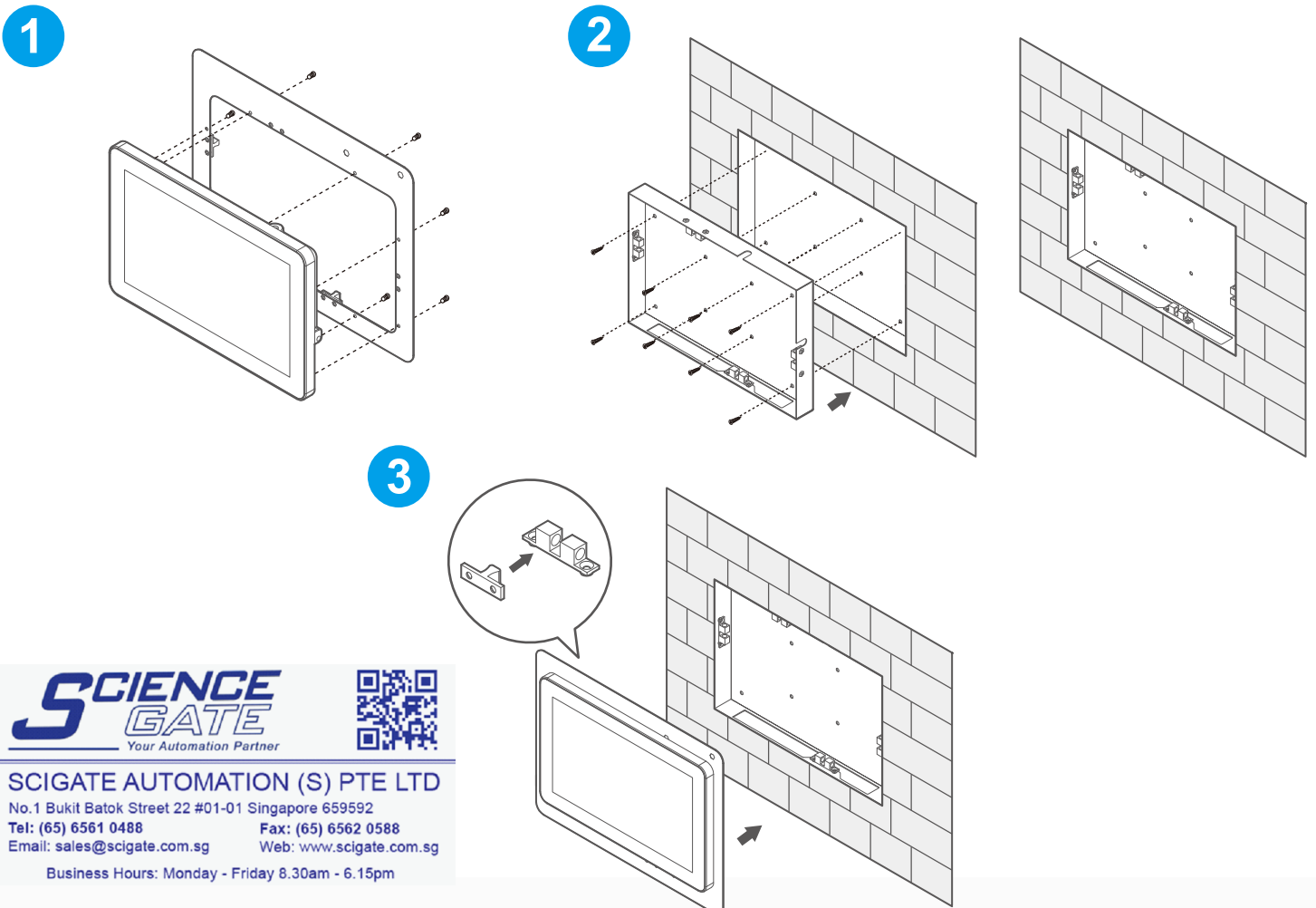
Front Side Wall Mount Kit (For 10.1" S-Series HMI)

Model Name: PCFW-V1
Part Number: 99KK00A0000C

Mechanical Drawing:



How to use Front Side Wall Mount Kit ?



SCIENCE GATE
Your Automation Partner



SCIGATE AUTOMATION (S) PTE LTD

No.1 Bukit Batok Street 22 #01-01 Singapore 659592

Tel: (65) 6561 0488

Fax: (65) 6562 0588

Email: sales@scigate.com.sg

Web: www.scigate.com.sg

Business Hours: Monday - Friday 8.30am - 6.15pm

WINMATE

www.winmate.com.tw

Revised Date : 2017/03/31 V1.3