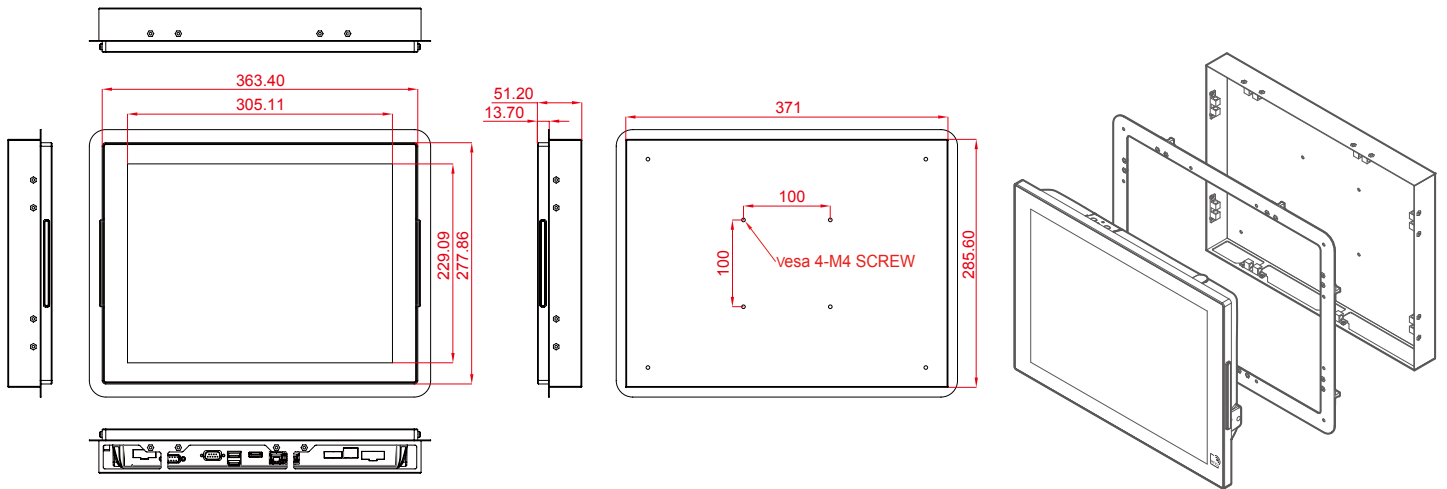


# Front Side Wall Mount Kit (For 15" S-Series HMI)

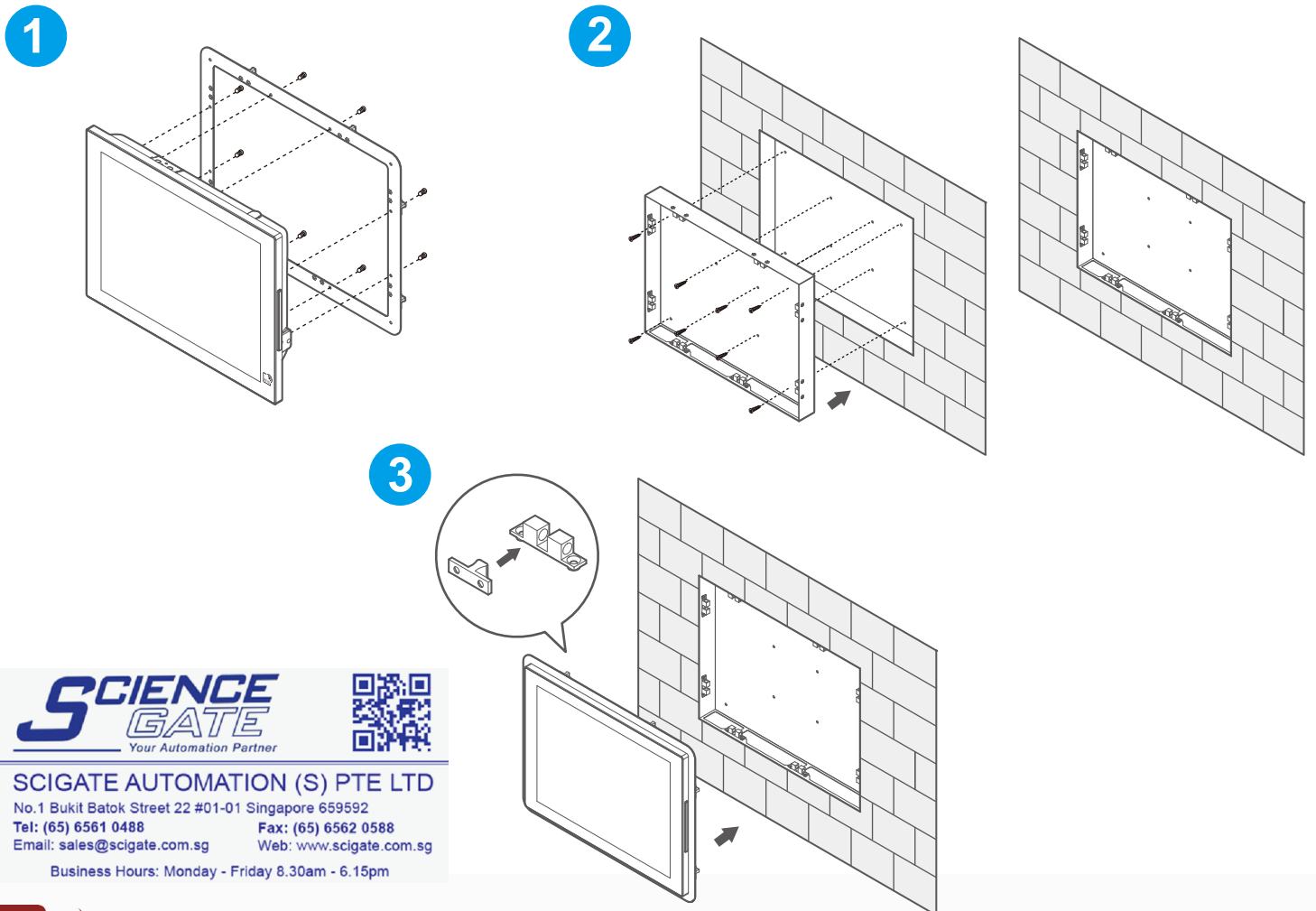


## Mechanical Drawing:

Model Name:PCFW-V2  
Part Number:99K000A00006



## How to use Front Side Wall Mount Kit ?



**SCIENCE GATE**  
Your Automation Partner



**SCIGATE AUTOMATION (S) PTE LTD**

No.1 Bukit Batok Street 22 #01-01 Singapore 659592  
Tel: (65) 6561 0488 Fax: (65) 6562 0588  
Email: sales@scigate.com.sg Web: www.scigate.com.sg  
Business Hours: Monday - Friday 8.30am - 6.15pm