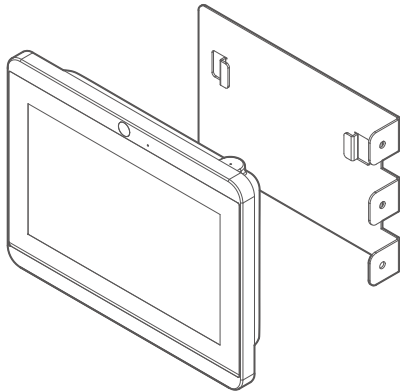


# Glass Wall Mount Kit (For 7" S-Series HMI)



## Right Side

Model Name: PCGM-V1R

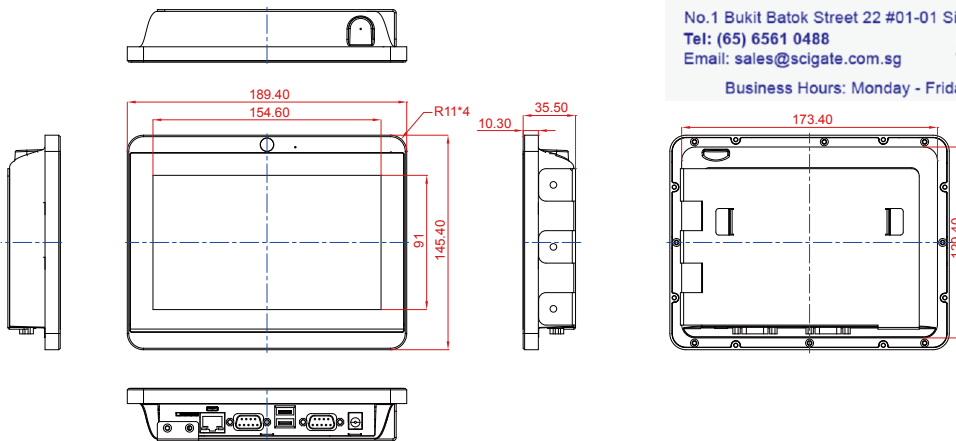
Part Number: 99KN00A00013

## Left Side

Model Name: PCGM-V1L

Part Number: 99KN00A00012

## Mechanical Drawing:



## SCIGATE AUTOMATION (S) PTE LTD

No.1 Bukit Batok Street 22 #01-01 Singapore 659592

Tel: (65) 6561 0488

Fax: (65) 6562 0588

Email: sales@scigate.com.sg

Web: www.scigate.com.sg

Business Hours: Monday - Friday 8.30am - 6.15pm

## How to use Glass Wall Mount Kit:

