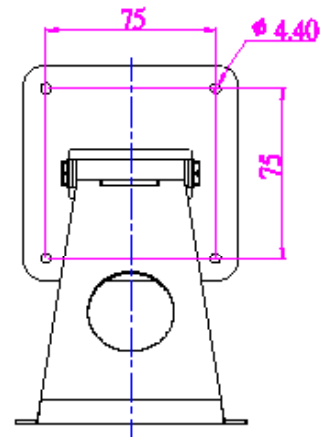
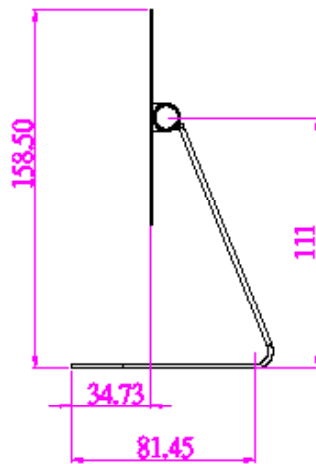
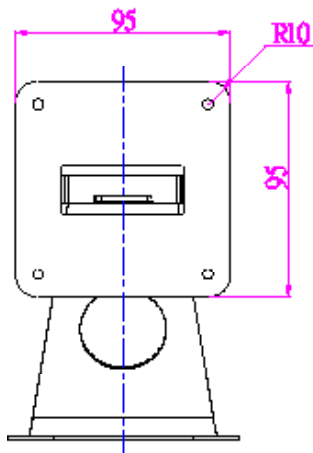
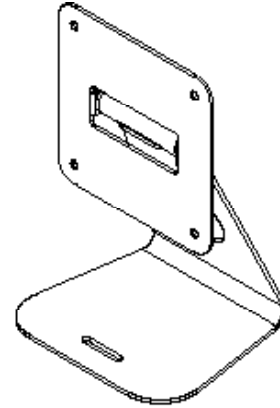


VESA Stand



Mechanical Drawing:

Model Name: PCVS-V1
Part Number: 99KK00A0000E

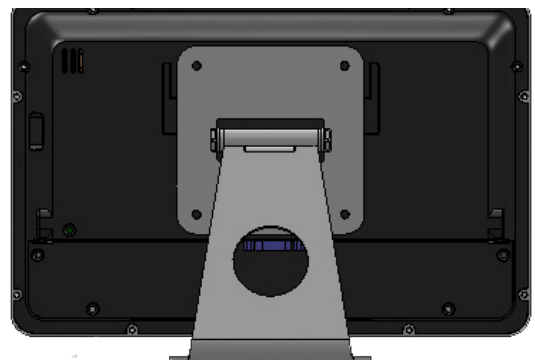
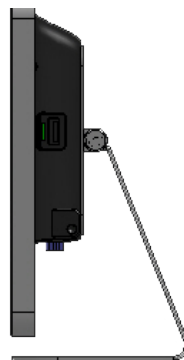


How to use VESA Stand ?

SCIENCE GATE
Your Automation Partner



SCIGATE AUTOMATION (S) PTE LTD
No.1 Bukit Batok Street 22 #01-01 Singapore 659592
Tel: (65) 6561 0488 Fax: (65) 6562 0588
Email: sales@scigate.com.sg Web: www.scigate.com.sg
Business Hours: Monday - Friday 8.30am - 6.15pm



Rev.	Reasons	Revised Date
1.0	First Release	Jan.02.13